

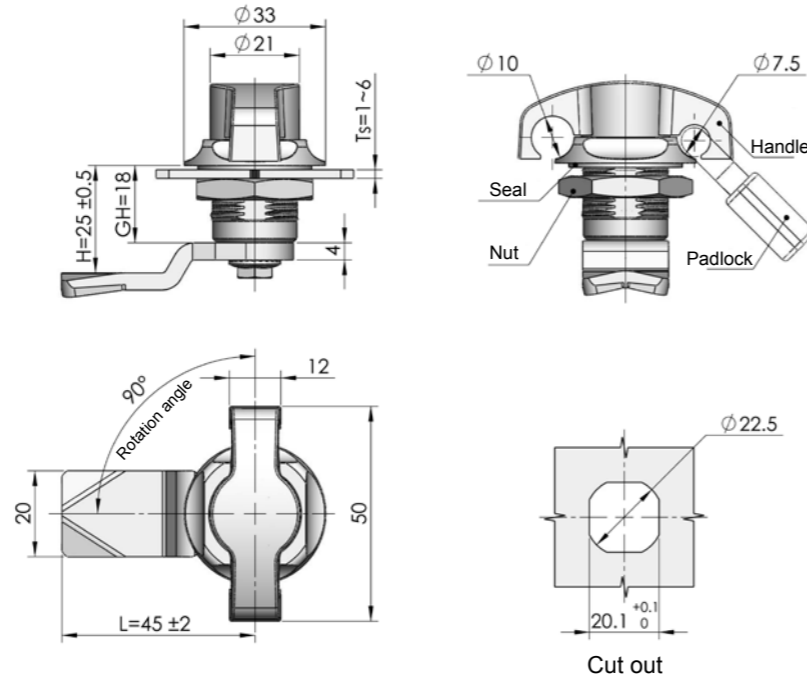
MS714-3



RL IP54

Main material and finish : Pocked black powder coated ZDC housing and handle, white zinc-plated steel cam

Application : Quarter-turn opening or closing



ERP MS714Z1B000002

Remarks : ERP excludes cam (cutout square 8mm), cam optional refers to S1B cam list on P007

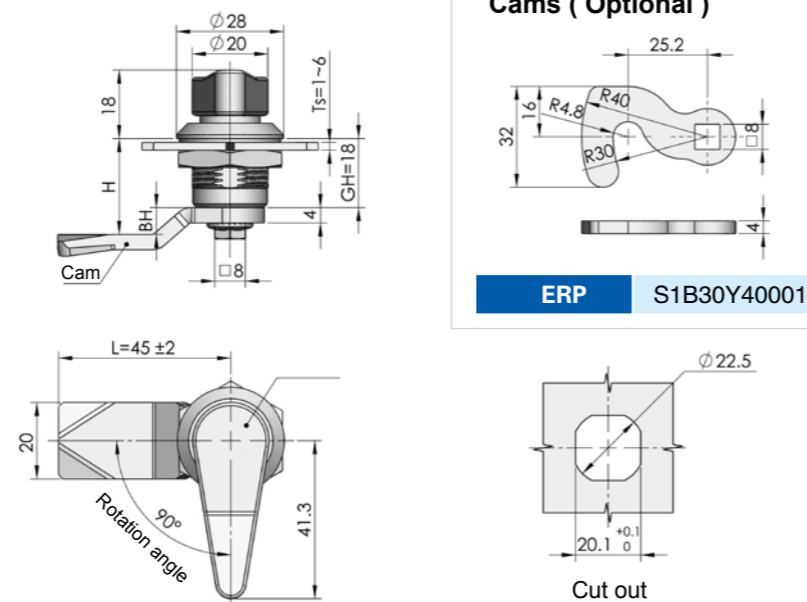
MS714-4



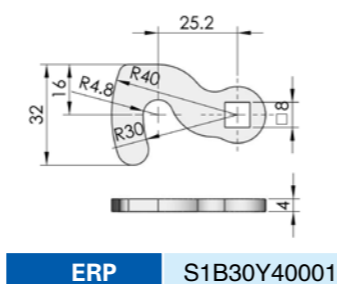
RL IP54

Main material and finish : Pocked black powder coated ZDC housing,PA handle, white zinc-plated steel cam

Application : Quarter-turn opening or closing

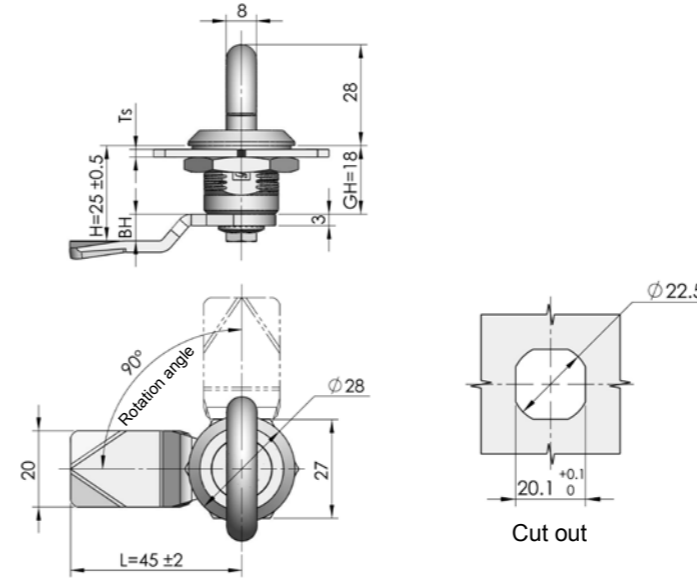


Cams (Optional)



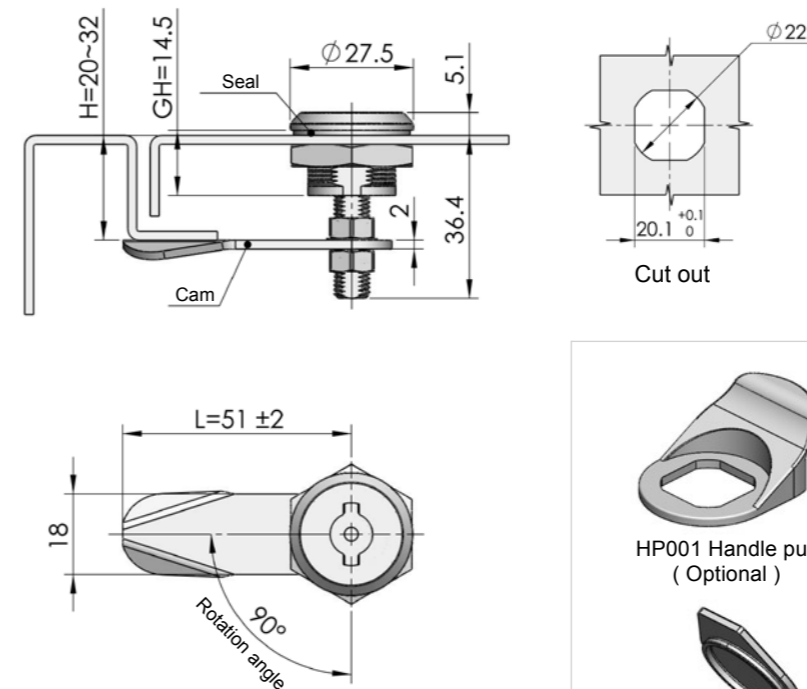
Specification	ZDC housing, PA handle	PA housing and handle
GH=18	MS714Z1A000001	MS714N00000009
GH=28	MS714Z1A000002	MS714N000000010
GH=36	MS714Z1A000003	MS714N000000011
GH=62	MS714Z1A000004	MS714N000000012

Remarks : ERP excludes cam (cutout square 8mm), cam optional refers to S1B cam list on P007, $T_s=4$



Specification	ZDC housing, PA handle	PA housing and handle
GH=18	MS715Z3A000001	MS715N00000001
GH=28	MS715Z3A000002	MS715N00000002
GH=36	MS715Z3A000003	MS715N00000003
GH=62	MS715Z3A000004	MS715N00000004

Remarks : ERP excludes cam (cutout square 8mm), cam optional refers to S1B cam list on P007



ERP MS721Z3AT01001

Remarks : ERP excludes cam (cutout $\phi 8 \times 6$)



MS715



RL IP54

Main material and finish : Bright chrome-plated ZDC housing or PA housing, bright chrome plated ZDC handle, white zinc-plated steel cam

Application : Quarter-turn opening or closing

MS721



Main material and finish: Bright chrome-plated ZDC housing and insert, steel cam

Application : Quarter-turn opening or closing

Default cam : S1W51Y00001