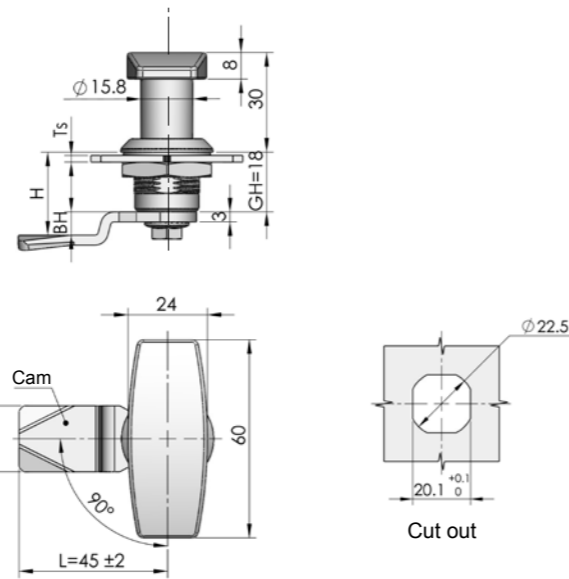




RL IP54

Main material and finish : Black powder coated ZDC housing, or black PA housing, white zinc-plated steel cam
Application : Quarter-turn opening or closing



Specification	ERP	
	ZDC housing and handle	PA housing, ZDC handle
GH=18	MS705Z1A000013	MS705N00000001
GH=28	MS705Z1A000014	MS705N00000002
GH=36	MS705Z1A000015	MS705N00000003
GH=62	MS705Z1A000016	MS705N00000004

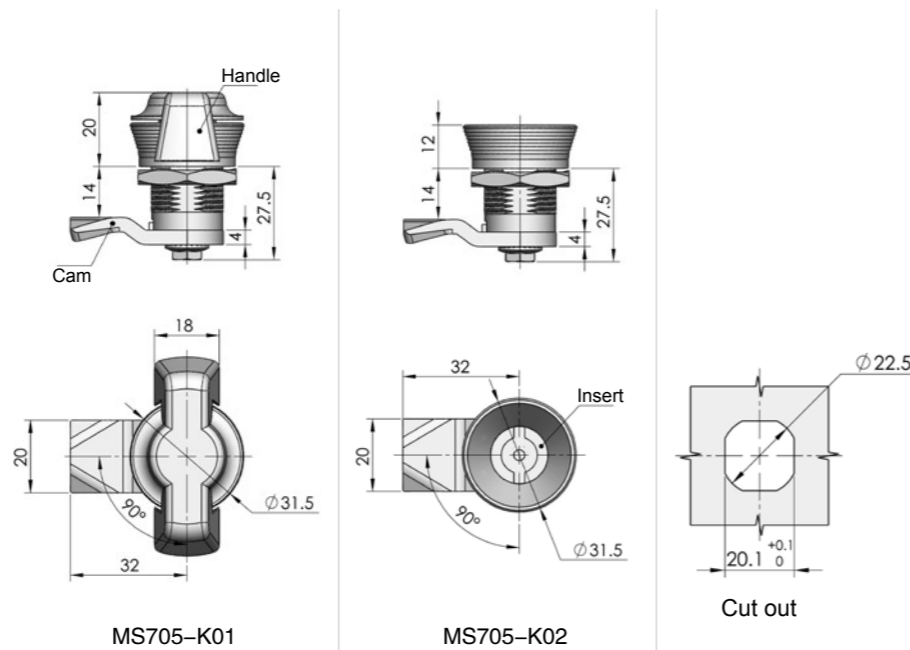
Remarks : ERP excludes cam (cutout square 8mm), cam optional refers to S1B cam list on P007



RL

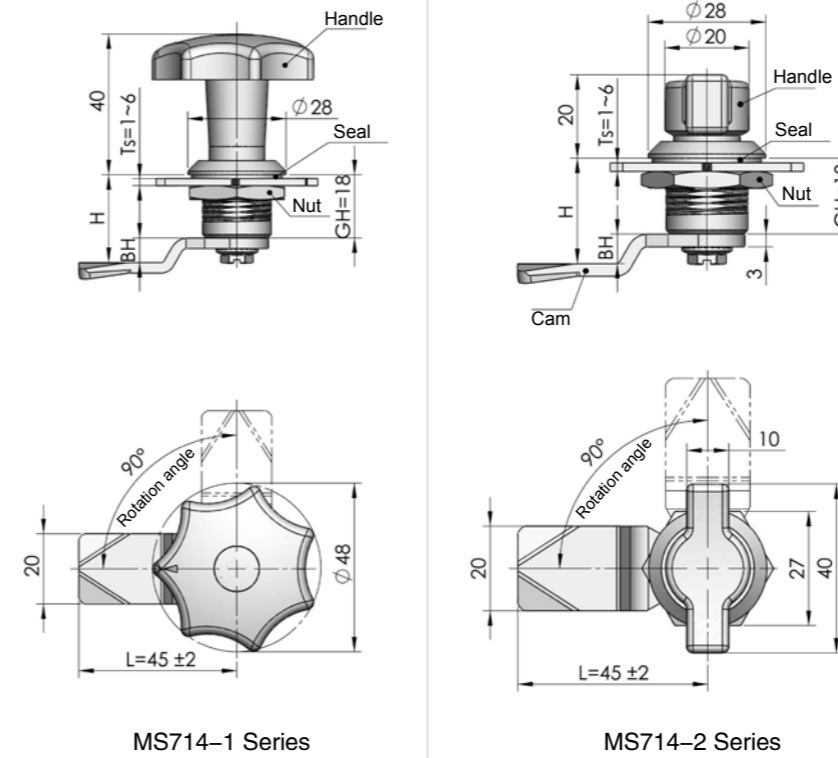
Main material and finish : Green powder coated ZDC handle, housing and insert, white zinc-plated steel cam
Application : Quarter-turn opening or closing
Remarks : Optional key K15-01C

Default cam : S1B32N03001



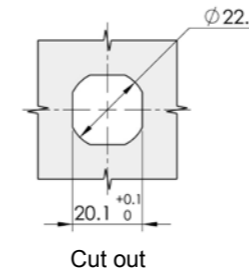
Specification	Optional Key	ERP
Handles		MS705Z1F000014
Double bit	K151, K151F, K151A	MS705Z1FT01001

Remarks : ERP excludes cam (cutout square 8mm)



MS714-1 Series

MS714-2 Series



Specification	Knobs		Handles	
	ZDC housing, PA handle	PA housing and handle	ZDC housing, PA handle	PA housing and handle
GH=18	MS714Z1A000001	MS714N00000001	MS714Z1A000005	MS714N00000005
GH=28	MS714Z1A000002	MS714N00000002	MS714Z1A000006	MS714N00000006
GH=36	MS714Z1A000003	MS714N00000003	MS714Z1A000007	MS714N00000007
GH=62	MS714Z1A000004	MS714N00000004	MS714Z1A000008	MS714N00000008

Remarks : ERP excludes cam (cutout square 8mm), cam optional refers to S1B cam list on P007



RL IP54

Main material and finish : Black powder coated ZDC housing or PA housing, PA handle, white zinc plated steel cam
Application : Quarter-turn opening or closing