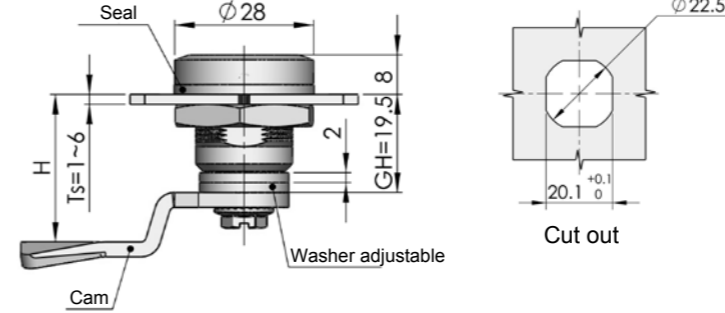
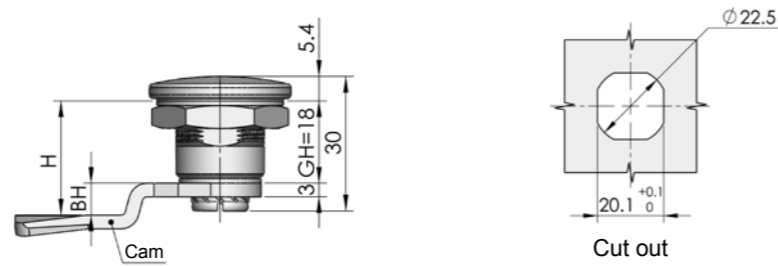
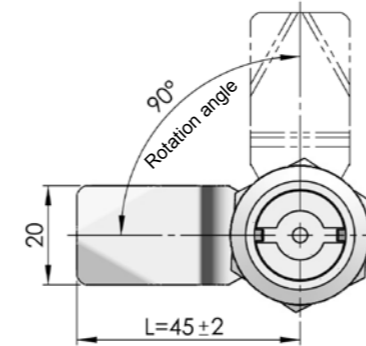
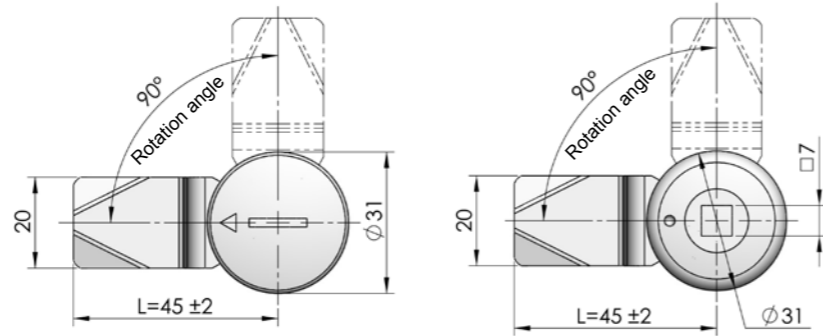


MS705-3C



RL

Main material and finish : Sand-spray, and bright chrome-plated ZDC housing, white zinc-plated steel cam
Application : Quarter-turn opening or closing



	Slot	$\square 7 \times 7$
ERP	MS705Z3H000006	MS705Z3H000007

Remarks : ERP excludes cam (cutout square 8mm), cam optional refers to S1B cam list on P007

ERP	MS705Z2AT01001
-----	----------------

Remarks : ERP excludes cam (cutout square 8mm), cam optional refers to S1B cam list on P007



HP001 Handle pull (Optional)



WP002 Water-proof cap (Optional)

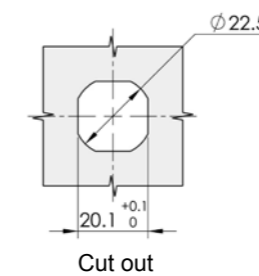
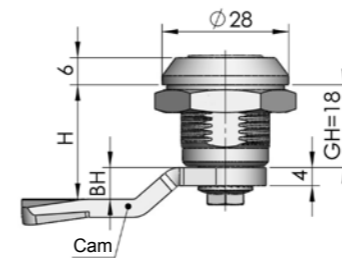
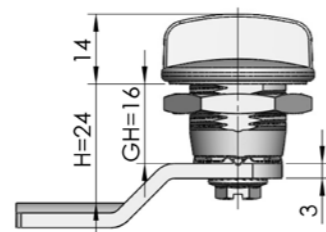
MS705-3D



RL IP54

Main material and and finish : Black powder coated ZDC housing and insert, white zinc-plated steel cam
Application : Quarter-turn opening or closing
Remarks : Optional key K15-01C

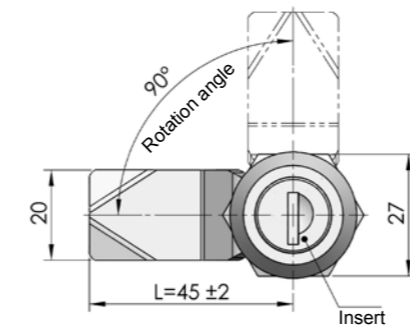
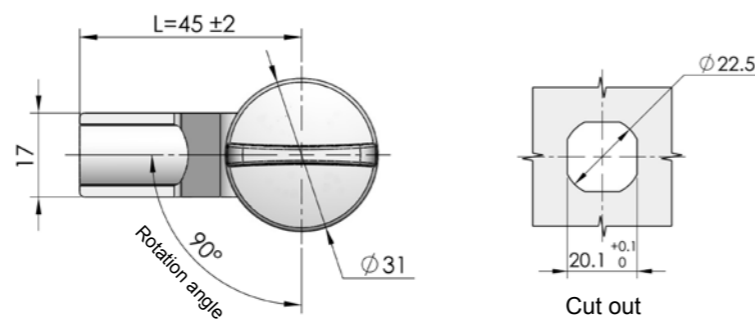
MS705-3C-4



RL

Main material and finish : White zinc-plated ZDC housing and steel cam
Application : Quarter-turn opening or closing

Default cam : S1V45Y08001

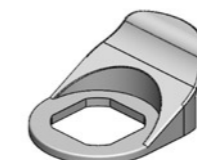


ERP	MS705Z3A000009
-----	----------------

Remarks : ERP excludes cam

Specification	ERP
ZDC housing,insert(RH-rotation)	MS705Z1A140011
ZDC housing,insert(LH-rotation)	MS705Z3A140001
PA housing,insert(RH-rotation)	MS705N00140012

Remarks : ERP excludes cam (cutout square 8mm), cam optional refers to S1B cam list on P007



HP001 Handle pull (Optional)



WP002 Water-proof cap (Optional)

MS705-3E



RL

Main material and finish : Pocked Black powder coated ZDC housing, white zinc-plated steel cam
Application : Quarter-turn opening or closing
Remarks : Default key K140