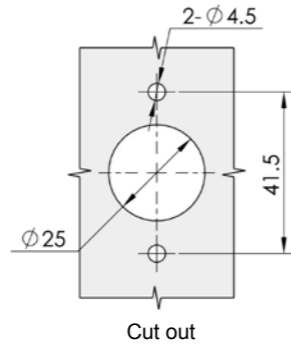
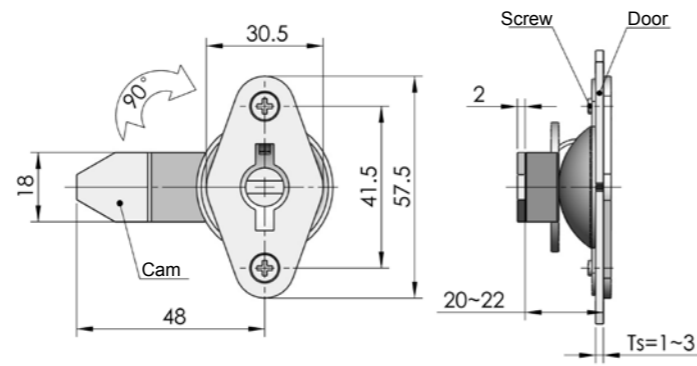


MS330



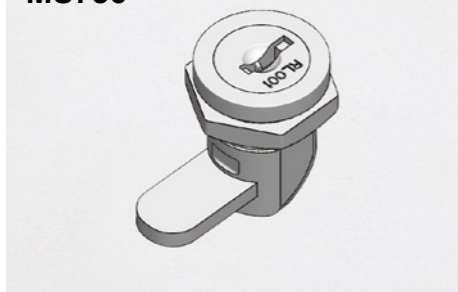
Main material and finish: White zinc-plated steel lock body, and steel cam
Application: Quarter-turn opening or closing



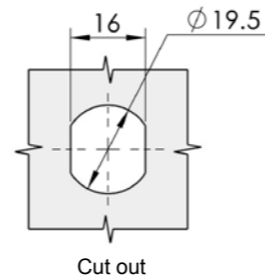
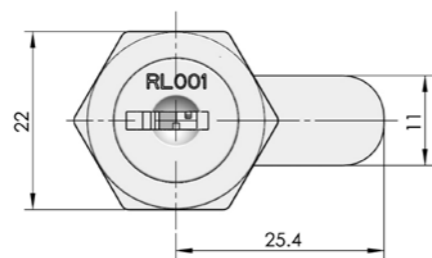
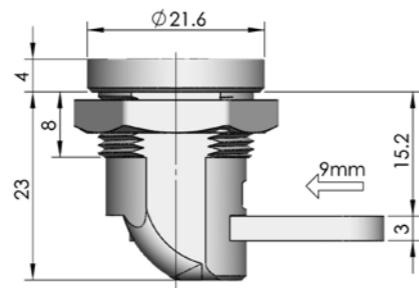
ERP

MS330F3D000001

MS786

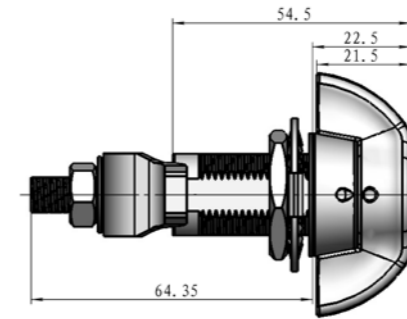
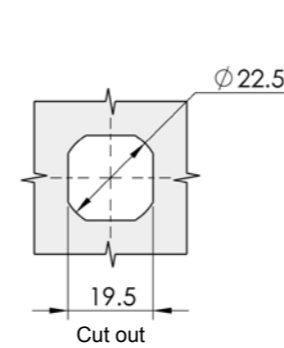
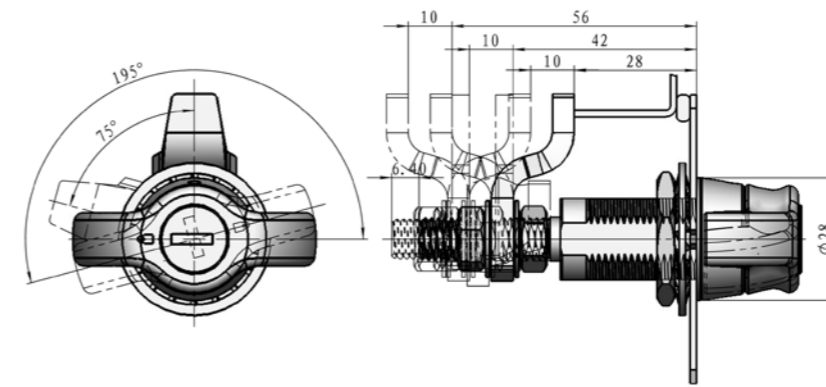


Main material and finish: Black painted ZDC housing and insert, white zinc-plated steel cam
Remarks: Default key K540



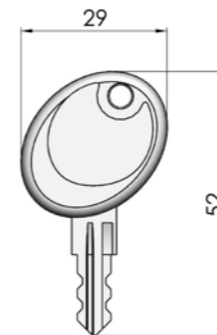
ERP

MS786Z2A540001



Remarks: Opening from right rotation

Default key

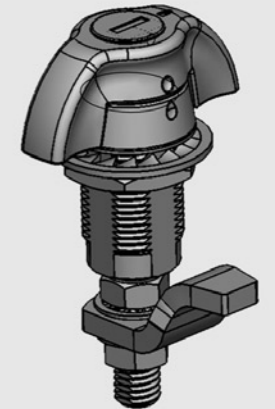


K570

Item No	Specification	ERP
MS816-1D-1	With insert	MS816Z1B057001
MS816-1D-2	Without insert	MS816Z1B000002

Remarks: The above ERP excludes cam

MS816-1D-1



Main material and finish: Pocked black powder coated ZDC housing, handle, insert, white zinc-plated steel shaft and cam
Remarks: Default key K570