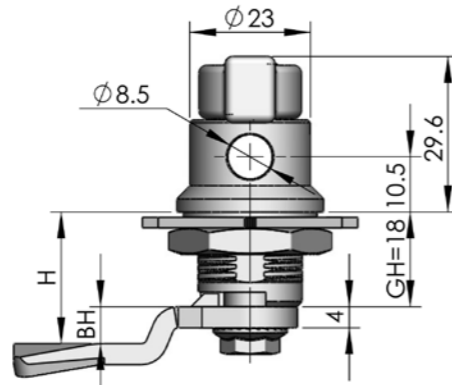


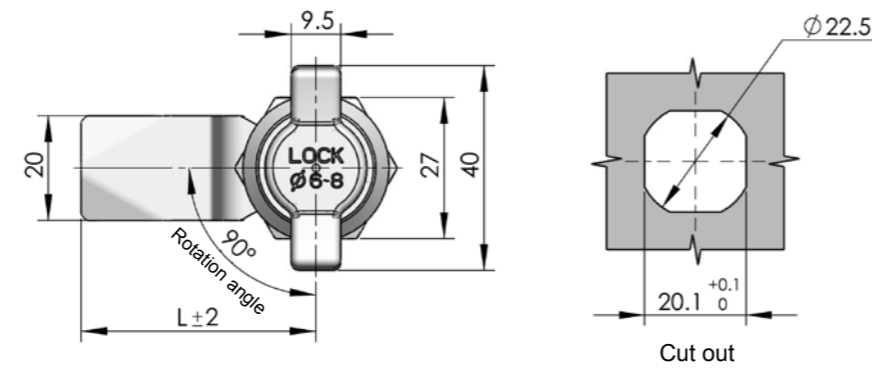
Accessories  
Handle lock  
Cylinder lock  
Electronic lock  
Swing handle  
Rod control lock  
Panel lock  
Toggle and hook  
Handles  
Door stop  
Hinge  
Seal gasket

MS772

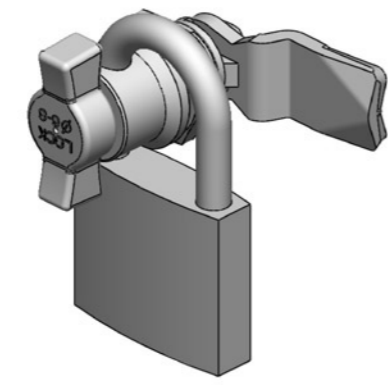


**RL** **IP50**

**Main material and finish:** Blue gray powder coated ( RAL 7012 ) ZDC housing, PA handle, white zinc-plated steel cam  
**Application:** Camstop quarter-turn opening or closing, padlockable



Example of padlock latch (exclude padlock)



**ERP** MS772Z1D000001

Remarks : ERP excludes cam (cutout square 8mm), cam optional refers to S1B cam list on P007, Ts=4

## ELECTRONIC LOCK SERIES

