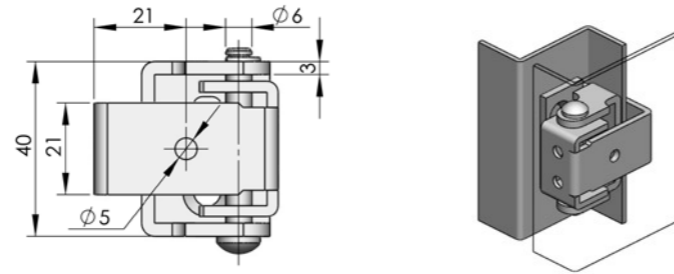
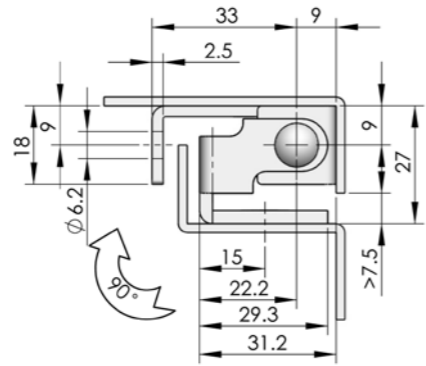


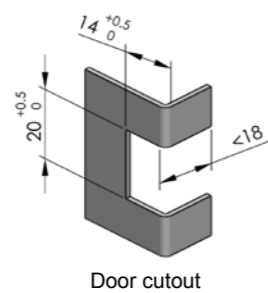
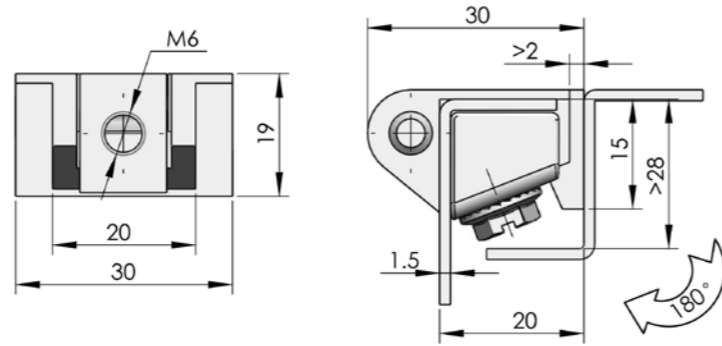
**CL207**



**Main material and finish:** White zinc-plated steel hinge  
**Application:** Opening angle 90°

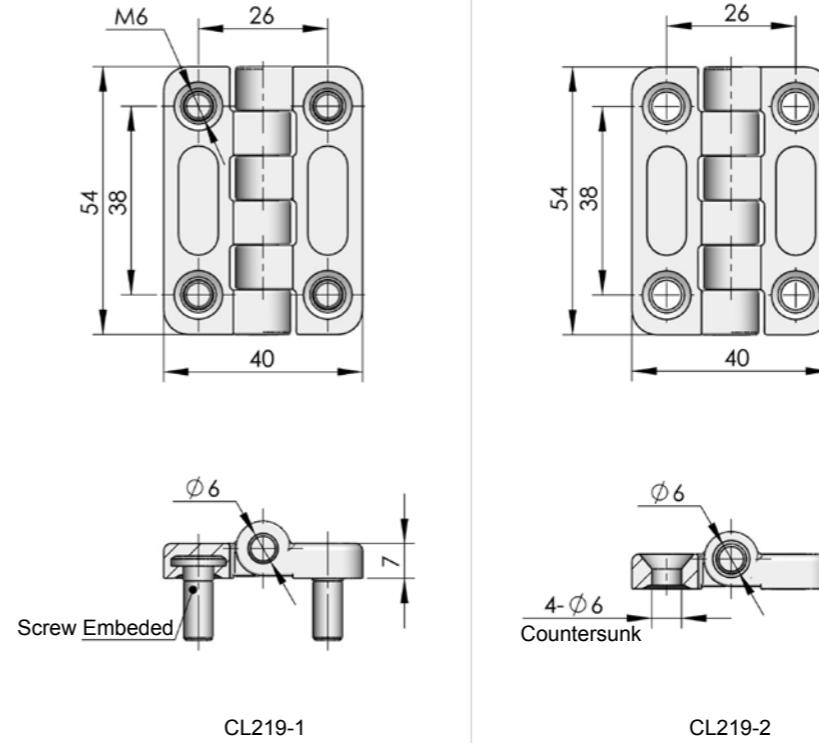
ERP CL207F3D001

**CL208**



**Main material and finish:** Zinc hinge, steel support and screw  
**Application:** Opening angle 180°

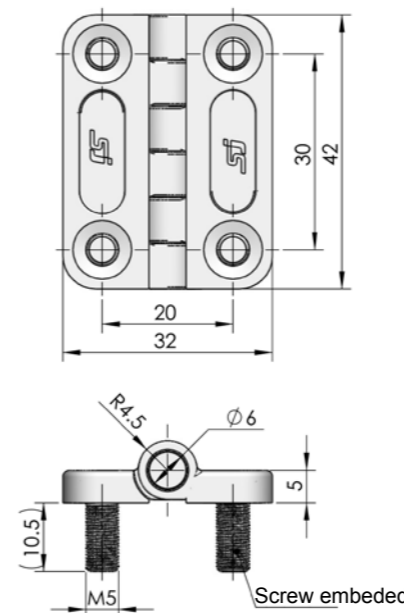
	Matt black powder coated	Nanometer painted	Bright chrome-plated
ERP	CL208Z1A001	CL208Z2B001	CL208Z3A001



CL219-1

CL219-2

Specification	ERP	
	CL219-1	CL219-2
Bright chrome-plated	CL209Z3A001	CL209Z3A002
Matt black powder coated	CL209Z1A001	CL209Z1A015
Pocked black powder coated	CL209Z1B001	CL209Z1B002
Nanometer painted	CL209Z2B001	CL209Z2B006



ERP CL209Z2B004

**CL209-1**



**CL209-2**



**Main material and finish:** Zinc hinge and steel pin  
**Application:** Opening angle 180°

**CL209-1C**



**Main material and finish:** Nanometer painted ZDC hinge, steel pin and screw  
**Application:** Opening angle 180°