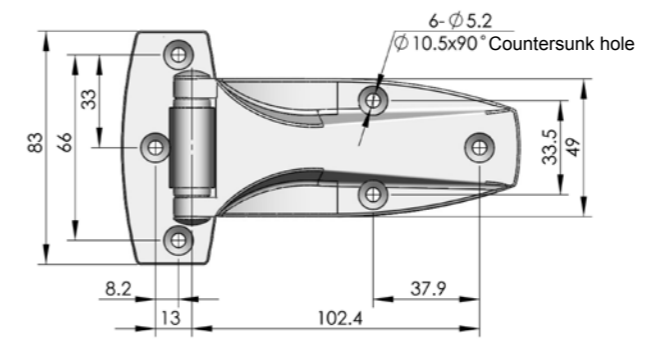
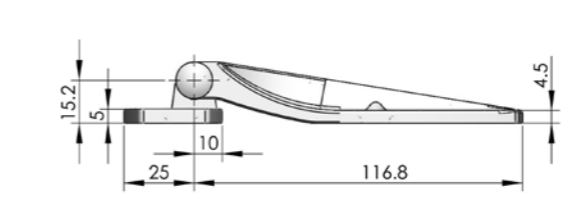
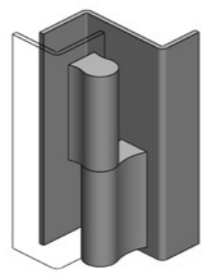
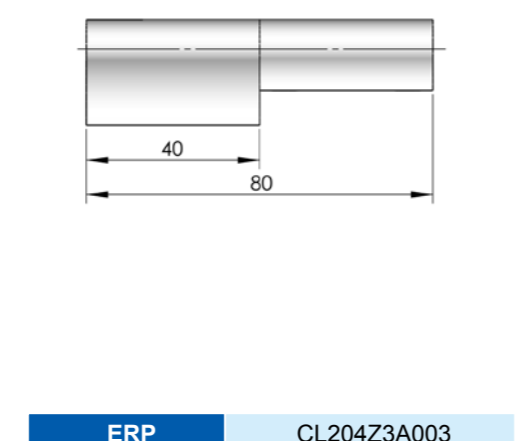
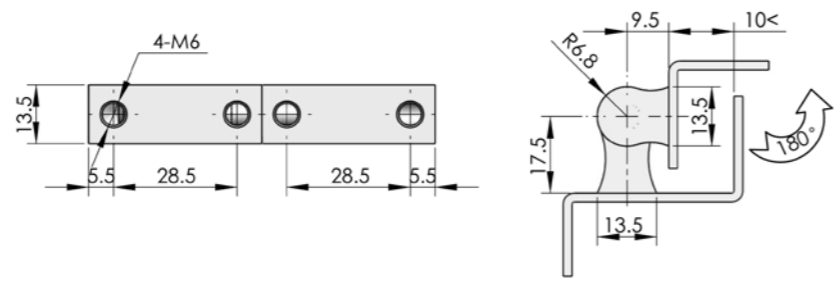


Accessories  
Handle lock  
Cylinder lock  
Electronic lock  
Plane lock  
Rod control lock  
Panel lock  
Toggle and hook  
Handles  
Door stop  
Hinge  
Seal gasket



**CL204-3D**

**Main material and finish:** Bright chrome-plated ZDC hinge  
**Application:** Opening angle 180°



**CL142**

**INOX AISI 3..**

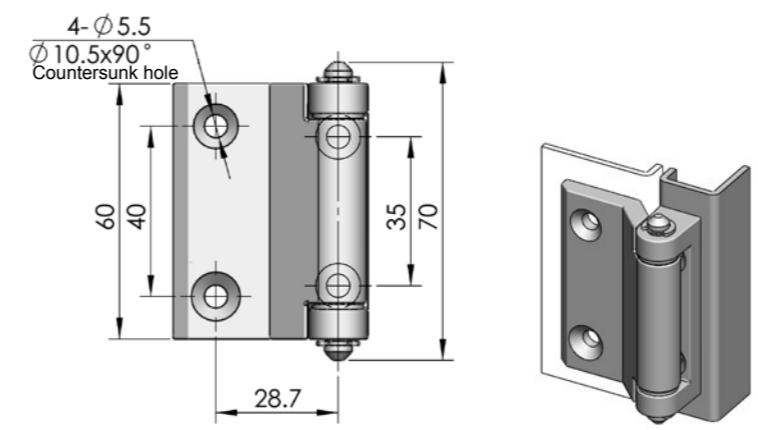
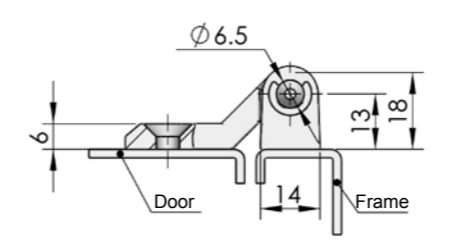
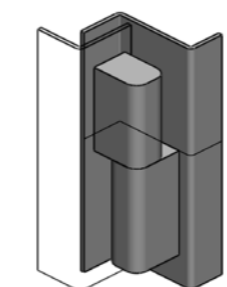
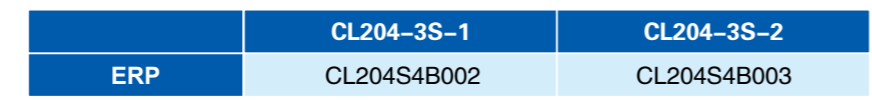
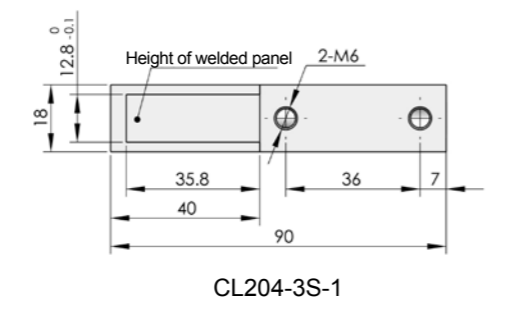
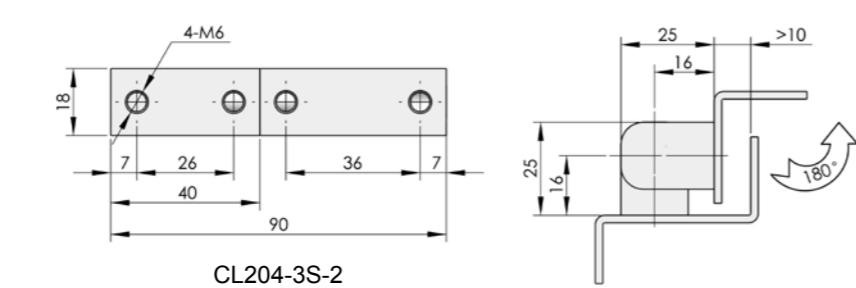
**Main material and finish:** Mirror polishing stainless steel hinge  
**Application:** Opening angle 135°

Accessories  
Handle lock  
Cylinder lock  
Electronic lock  
Plane lock  
Rod control lock  
Panel lock  
Toggle and hook  
Handles  
Door stop  
Hinge  
Seal gasket



**CL204-3S**

**Main material and finish:** SUS304, wire drawing polishing  
**Application:** Opening angle 180°



**CL121**

**Main material and finish:** Black powder coated ZDC hinge and white zinc-plated steel pin