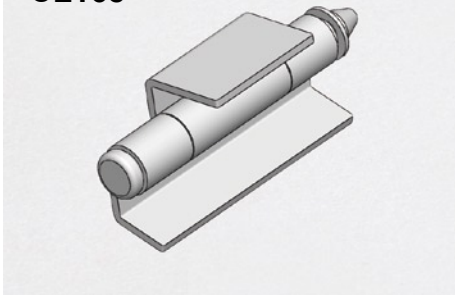
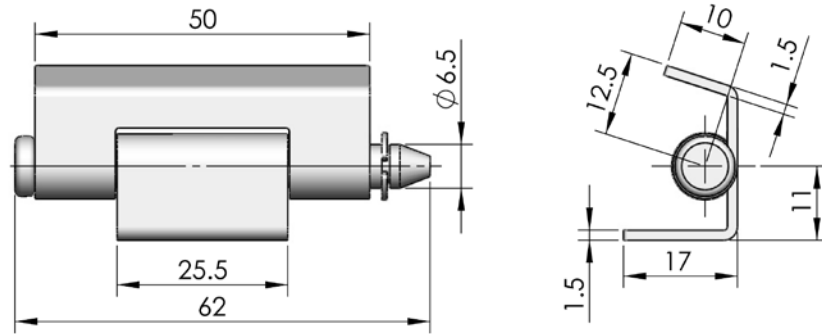


Accessories
Handle lock
Cylinder lock
Electronic lock
Plane lock
Rod control lock
Panel lock
Toggle and hook
Handles
Door stop
Hinge
Seal gasket

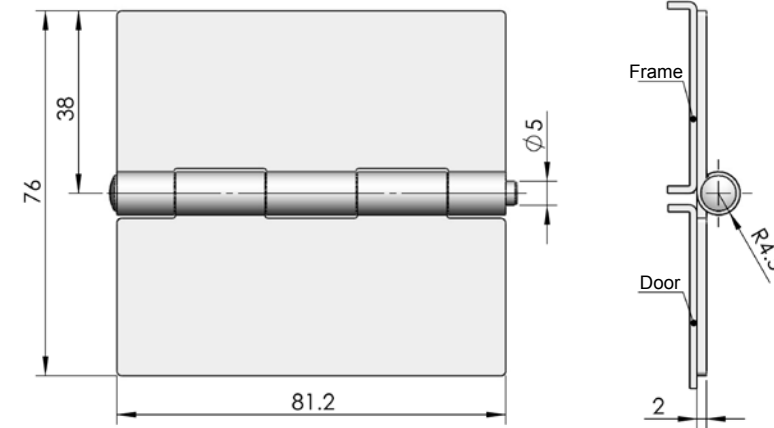
CL168



Main material and finish: White zinc-plated steel hinge leaf and shaft

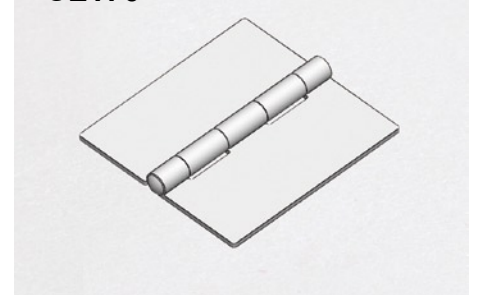


ERP CL168F3D001



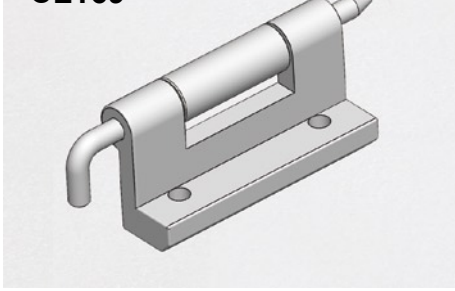
ERP CL170F00001

CL170

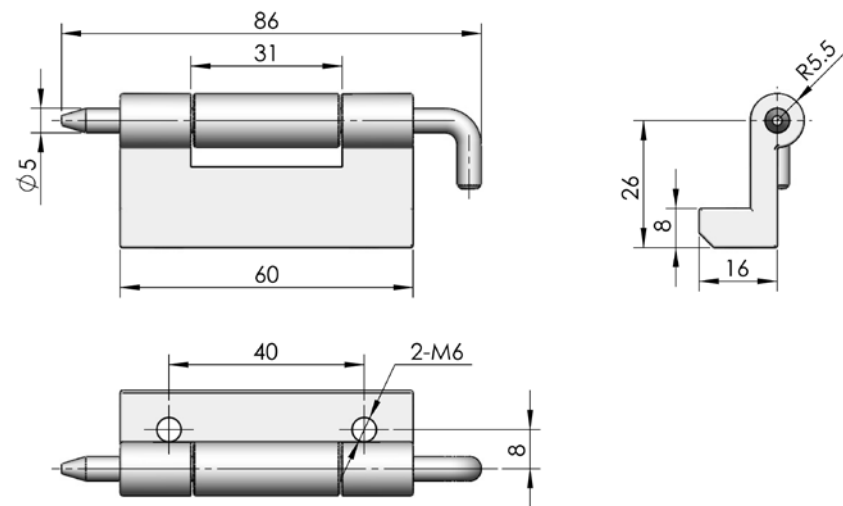


Main material and finish: Steel hinge leaf and shaft

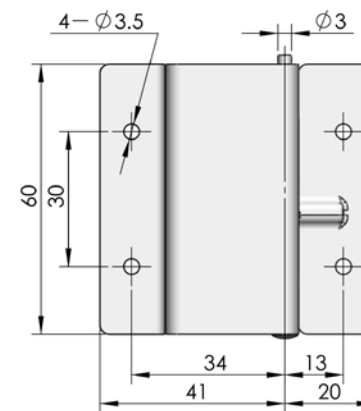
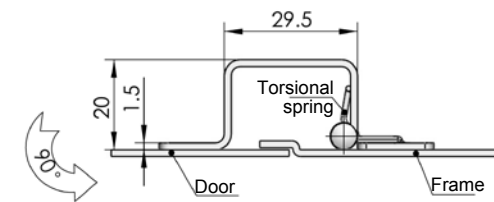
CL169



Main material and finish: White zinc-plated ZDC female hinge, steel male hinge and shaft



ERP CL169Z3D001



ERP CL173S00001

CL173



Main material and finish: Stainless steel hinge leaf and shaft
Application: Opening angle 90°