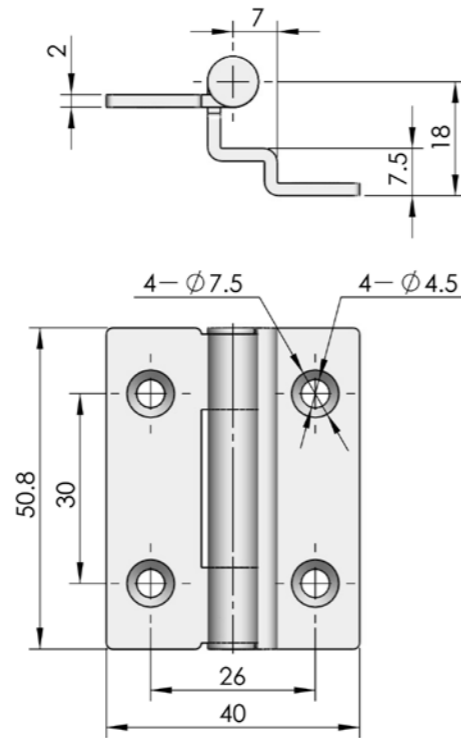


Accessories
Handle lock
Cylinder lock
Electronic lock
Plane lock
Rod control lock
Panel lock
Toggle and hook
Handles
Door stop
Hinge
Seal gasket

CL152-2

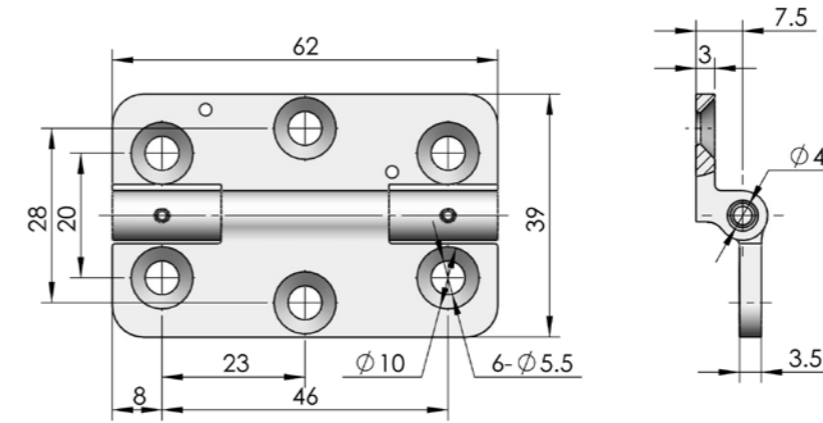


Main material and finish: Stainless steel hinge leaf and shaft
Application: Opening angle 180°



ERP

CL152S4C002



ERP

CL163S4B001

CL163

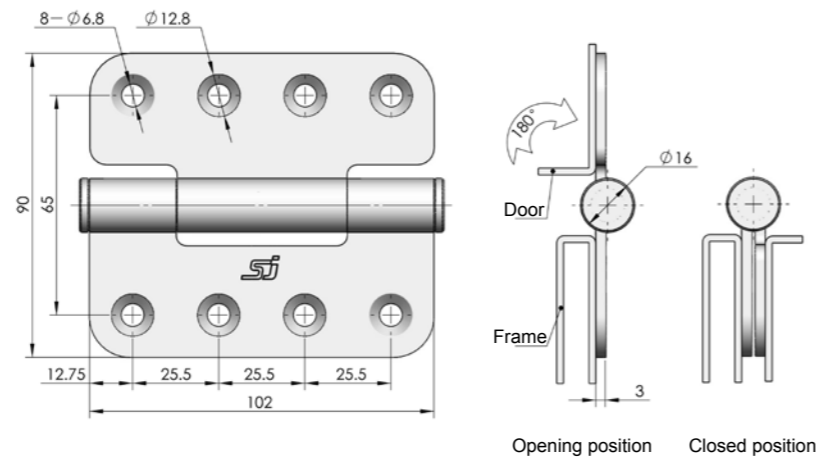


Main material and finish: Wiredrawing stainless steel hinge leaf and shaft

CL158-2

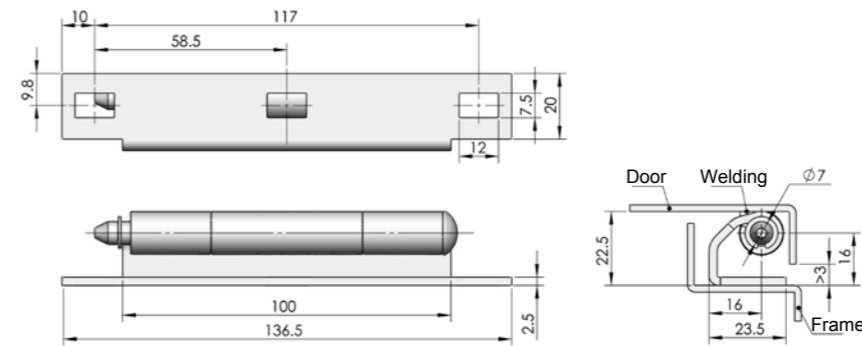


Main material and finish: Wiredrawing stainless steel hinge leaf, stainless steel shaft
Application: Opening angle 180°



ERP

CL158S4B001



ERP

CL167F3D001

CL167



Main material and finish: White zinc-plated steel hinge leaf, white zinc-plated aluminium alloy shaft
Application: Opening angle 120°