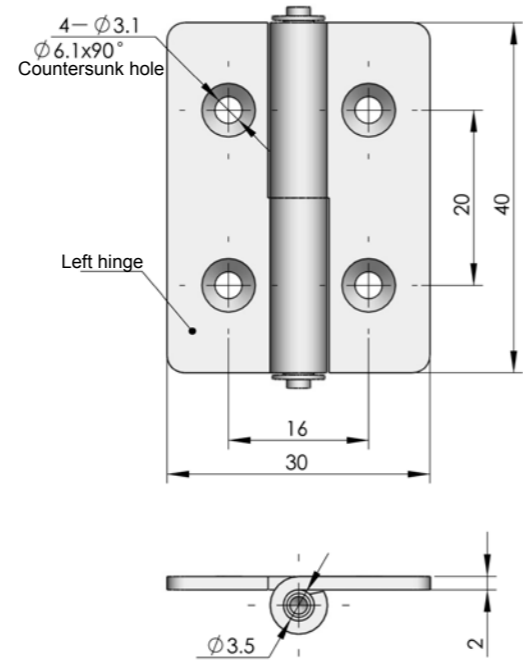


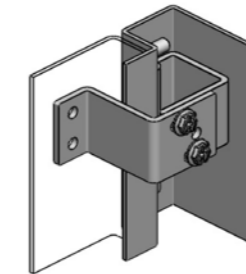
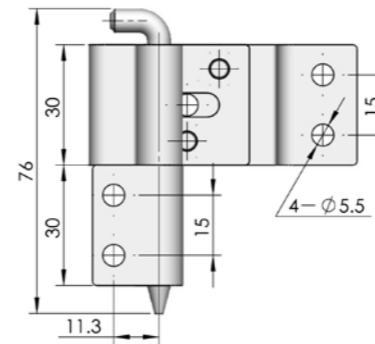
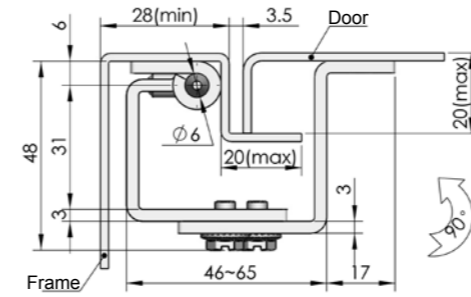
CL253-9



Main material and finish: Stainless steel hinge leaf and shaft
Application: Opening angle 180°

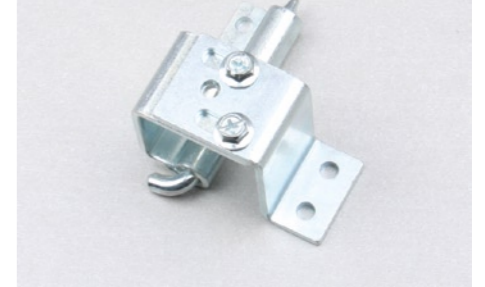


	Left hinge	Right hinge
ERP	CL253S4A008	CL253S4A009



ERP	CL128F3D001
------------	-------------

CL128

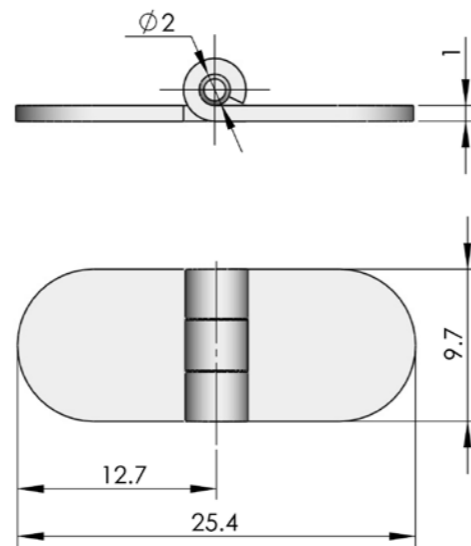


Main material and finish: White zinc-plated steel hinge leaf and pin
Application: Opening angle 90°

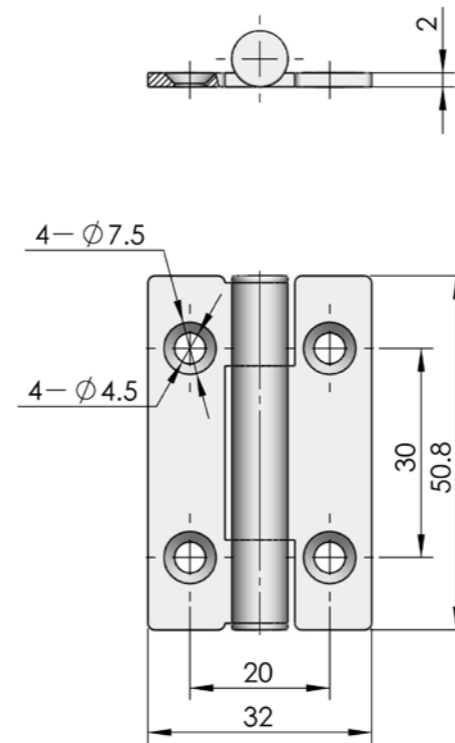
CL253-10



Main material and finish: Mirror polishing stainless steel hinge leaf, stainless steel shaft
Application: Opening angle 180°



ERP	CL253S4A010
------------	-------------



ERP	CL152S4C001
------------	-------------

CL152



Main material and finish: Stainless steel hinge leaf and shaft
Application: Opening angle 180°