

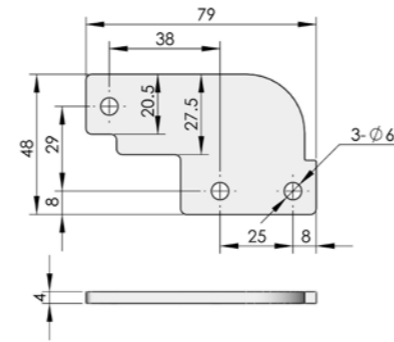
Accessories
Handle lock
Cylinder lock
Electronic lock
Plane lock
Rod control lock
Panel lock
Toggle and hook
Handles
Door stop
Hinge
Seal gasket

CL135



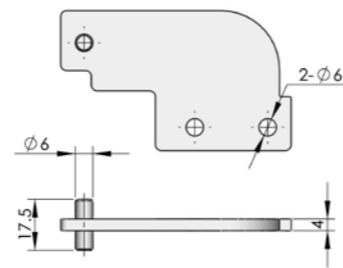
Main material and finish: Black painted steel hinge

CL135-1



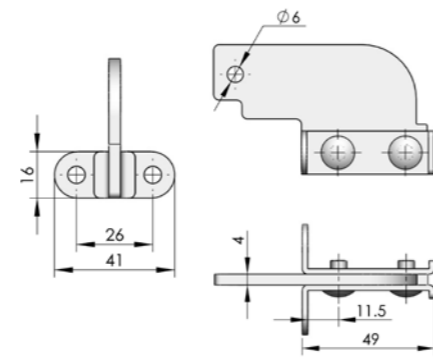
ERP CL135F2A001

CL135-2



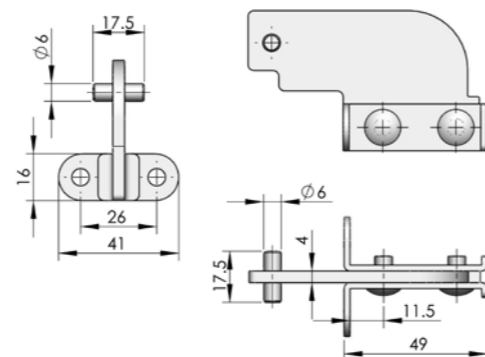
ERP CL135F2A002

CL135-3



ERP CL135F2A003

CL135-4

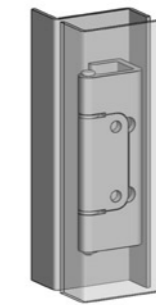
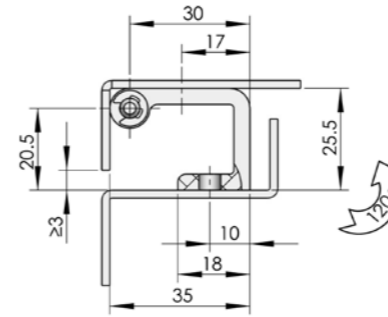
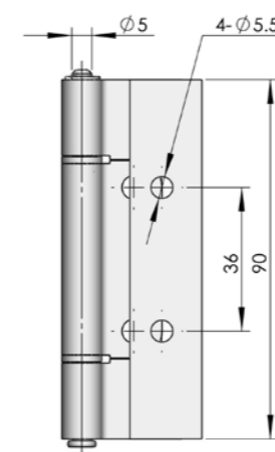


ERP CL135F2A004

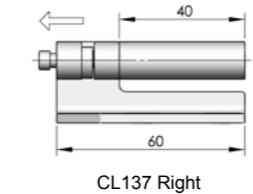
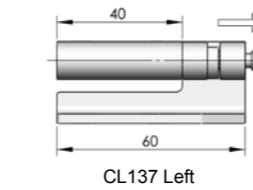
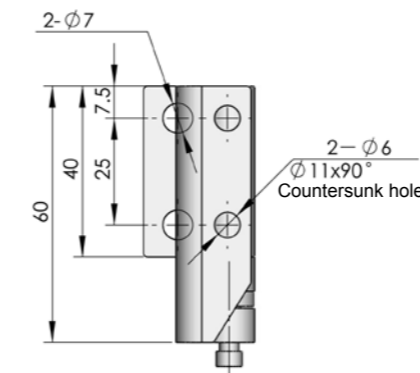
CL132



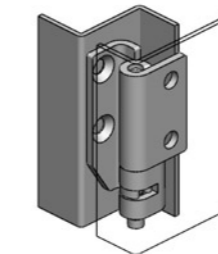
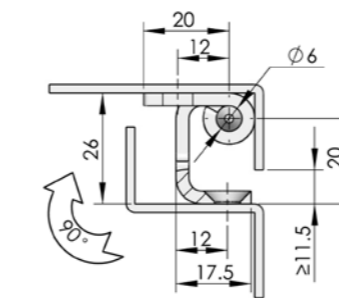
Main material and finish: Sand-spraying aluminum alloy hinge, stainless steel pin
Application: Opening angle 120°



ERP CL132A4D001



CL137 Right



ERP	Left hinge	Right hinge
ERP	CL137F3D001	CL137F3D002

CL137



Main material and finish: White zinc-plated steel hinge and pin
Application: Opening angle 135°