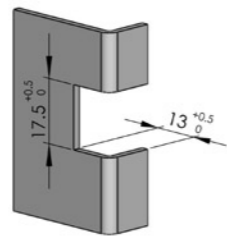
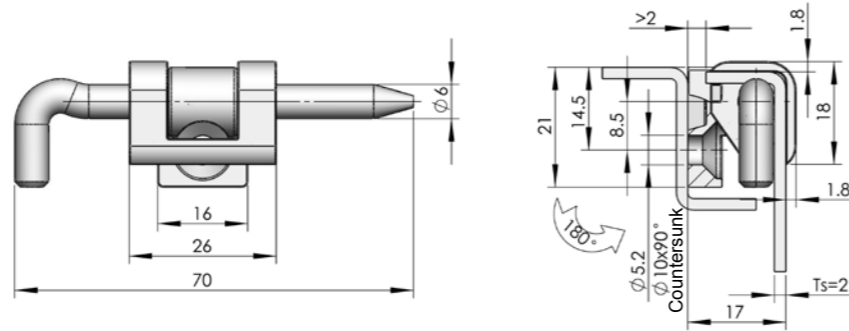


CL104



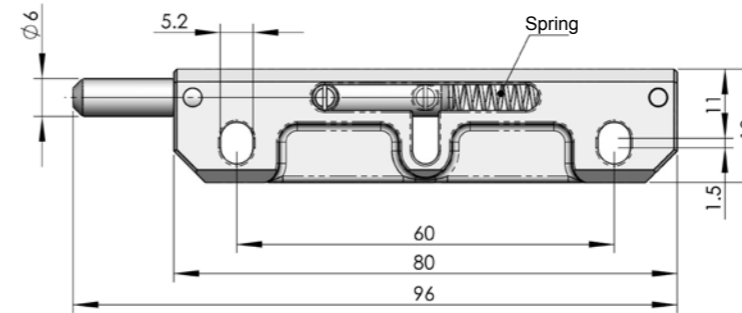
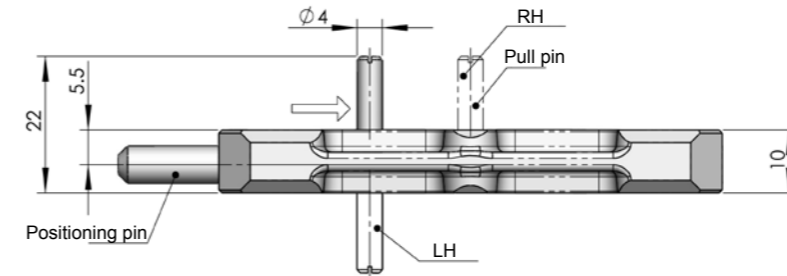
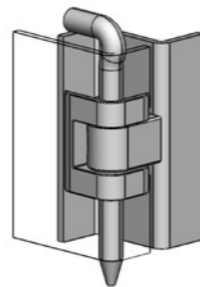
Main material and finish: Black powder coated ZDC hinge and nickel plated steel pin

Application: Opening angle 180°



Door cutout

ERP CL104Z1A001



ERP CL106Z3I001

CL106



Main material and finish: Sand-spraying and nickel plated ZDC hinge, stainless steel shaft and spring

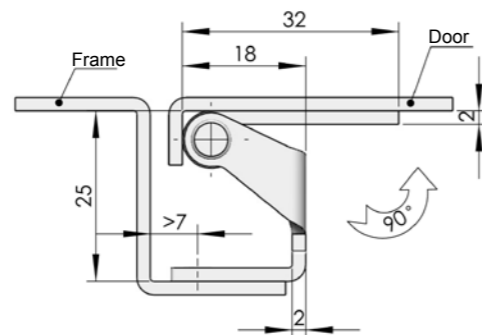
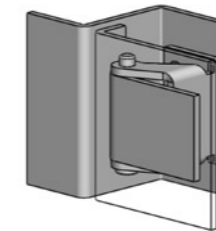
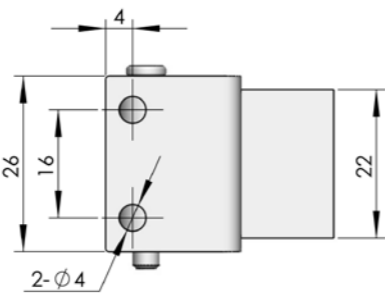
Application: By changing the direction of pin to realise the shift between LH and RH

CL105

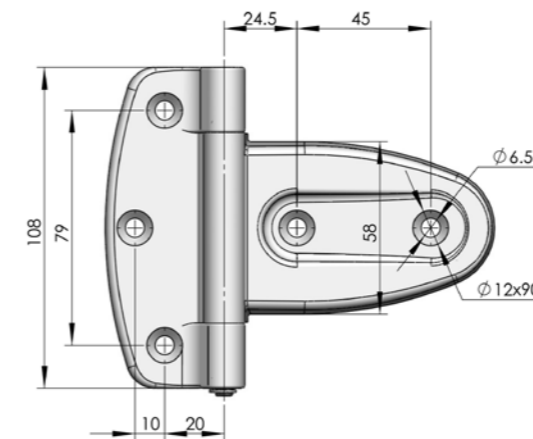
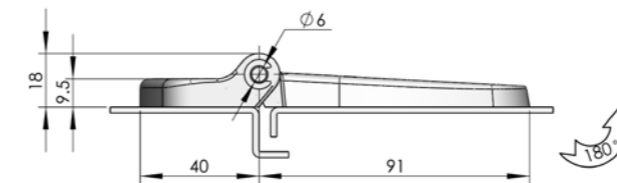
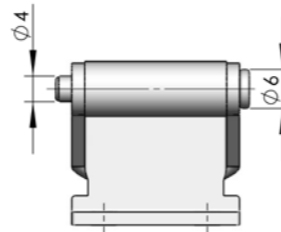


Main material and finish: White zinc plated steel hinge and pin

Application: Opening angle 180°



ERP CL105F3D001



ERP CL108N00001

CL108



Main material and finish: Black PA hinge and nickel plated steel pin

Application: Opening angle 180°