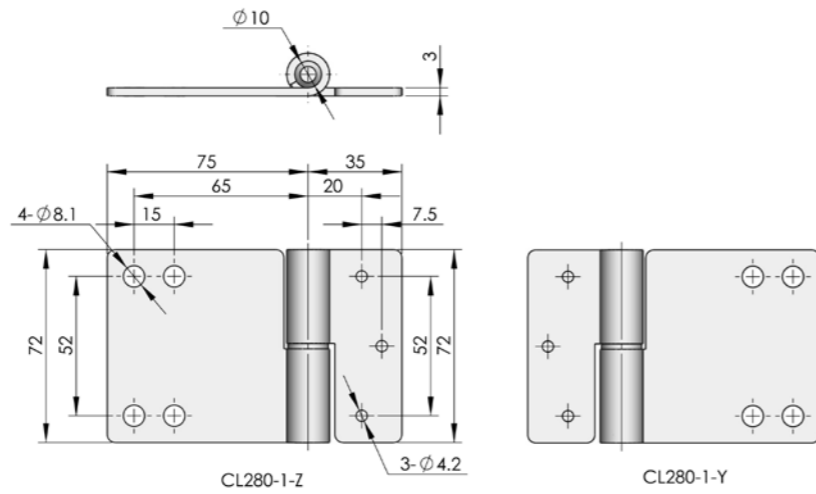


CL281



Main material and finish: Stainless steel hinge
Application: Opening angle 180°

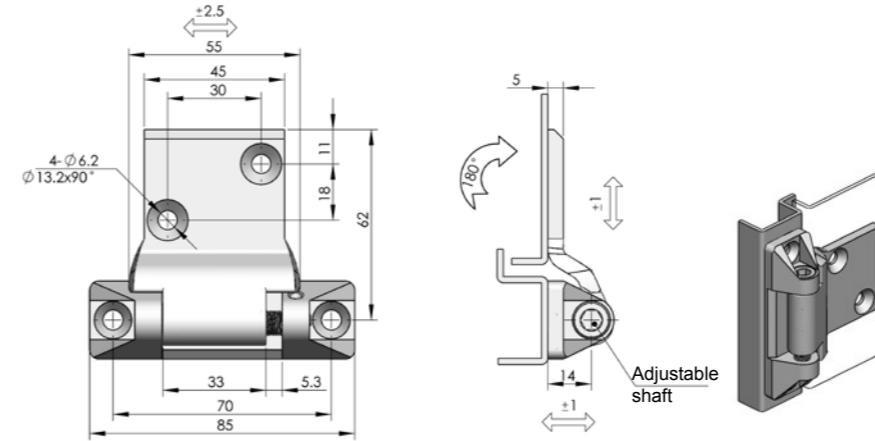


	LH	RH
ERP	CL281S00001	CL281S00003

CL282-2-Y
CL282-2-Z



Main material and finish: Pocked black powder coated ZDC female hinge, white zinc plated pin
Application: Opening angle 180°

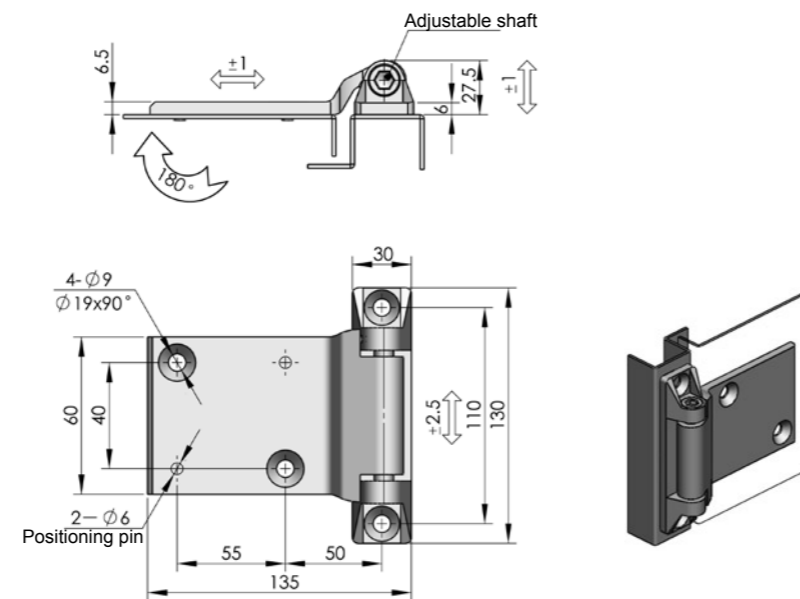


	LH	RH
ERP	CL282Z1B003	CL282Z1B004

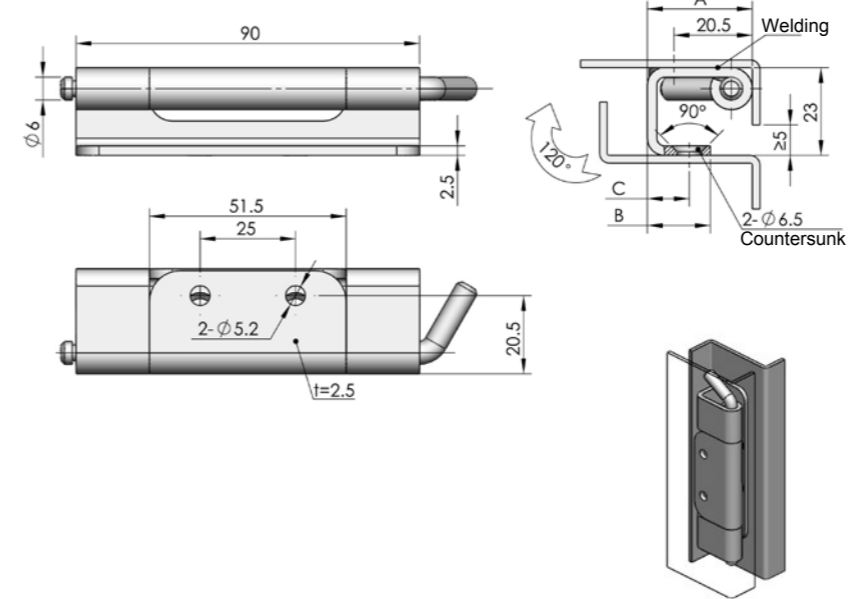
CL282-1-Y
CL282-1-Z



Main material and finish: Pocked black powder coated ZDC female part, white zinc plated pin
Application: Opening angle 180°



	LH	RH
ERP	CL282Z1B001	CL282Z1B002



ERP	Specification		
	A	B	C
CL283S00001	27.5	16.5	11
CL283S00002	33.5	21	14.5

CL283-1
CL283-2



Main material and finish: Stainless steel hinge and pin
Application: Opening angle 120°