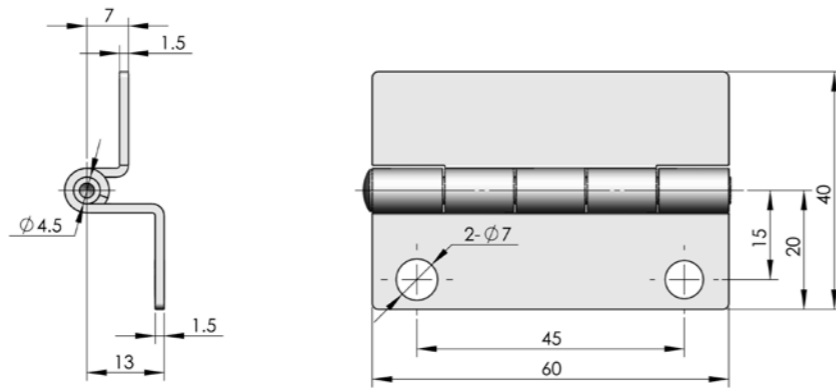


CL261

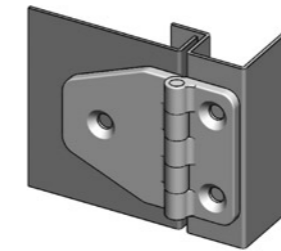
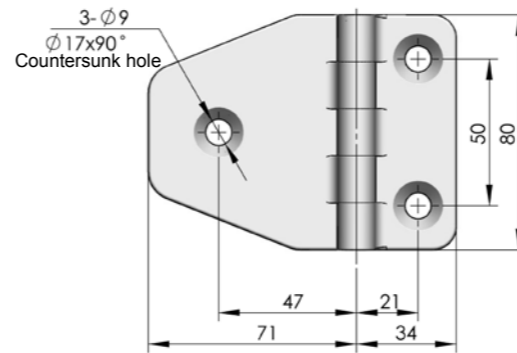
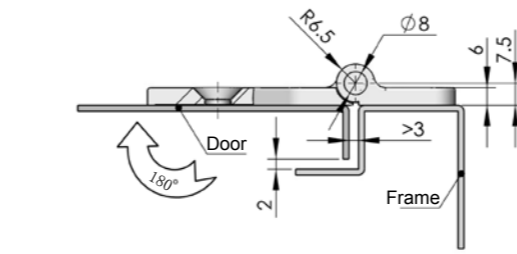


Main material and finish: White zinc-plated steel hinge
Application: Opening angle 180°



ERP

CL261F3D001



ERP

CL148N00001

CL148

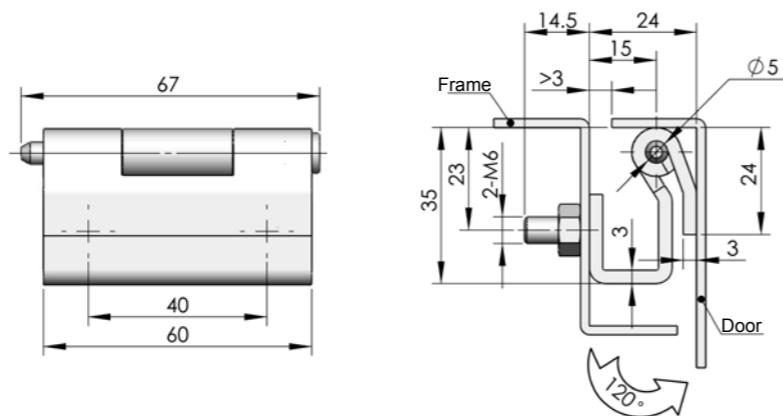


Main material and finish: White zinc-plated steel shaft, PA (black) hinge leaf
Application: Opening angle 180°

CL262

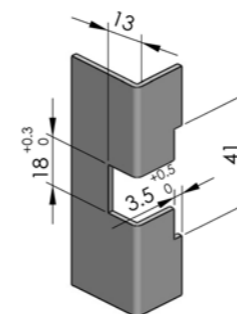
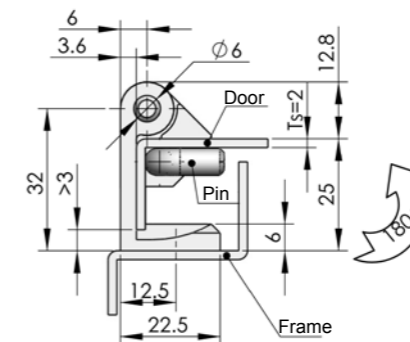
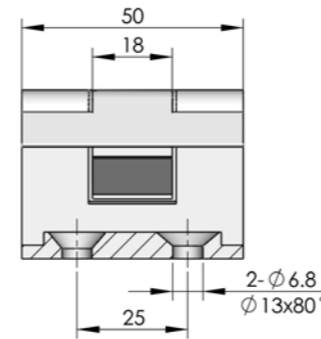


Main material and finish: White zinc-plated steel hinge
Application: Opening angle 120°



ERP

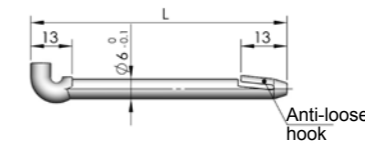
CL262F3D001



ERP

CL264Z1A001

Nylon pin (Optional)



Part No.	L
PN001	57
PN002	78

CL264



Main material and finish: Black powder coated ZDC hinge, stainless steel gasket, nickel plated steel pin
Application: Opening angle 180°