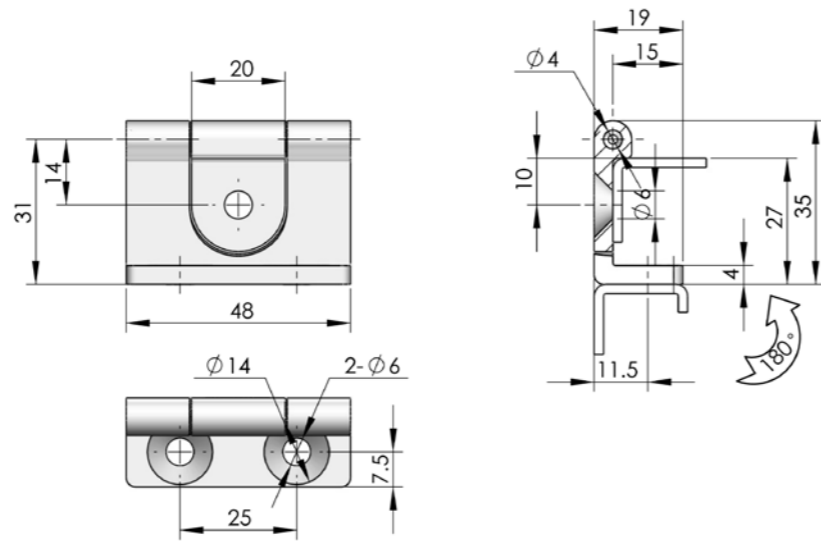


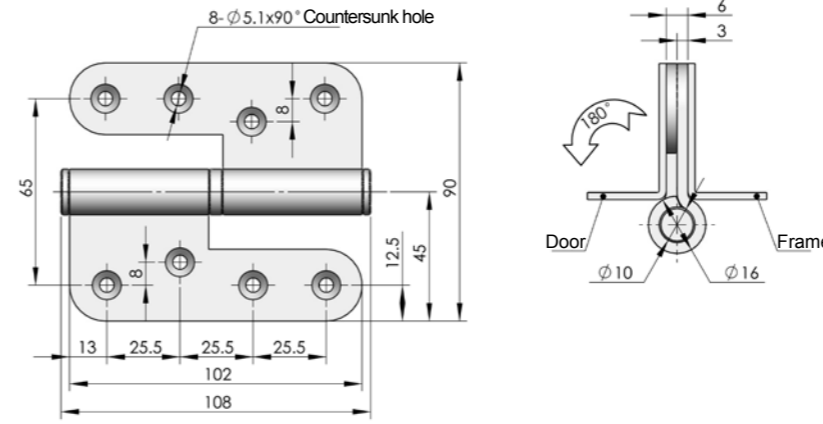
CL247



Main material and finish: Black powder coated ZDC hinge, white zinc-plated steel pin
Application: Opening angle 180°



ERP	CL247Z1A001
-----	-------------



Specification	ERP	
	LH	RH
white zinc-plated steel hinge	CL249F3D001	CL249F3D002
Wiredrawing polishing stainless steel hinge	CL249S4B004	CL249S4B003

CL249

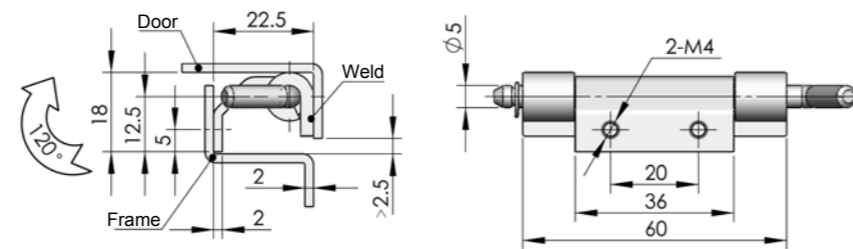


Main material and finish: Steel or stainless steel hinge
Application: Opening angle 180°

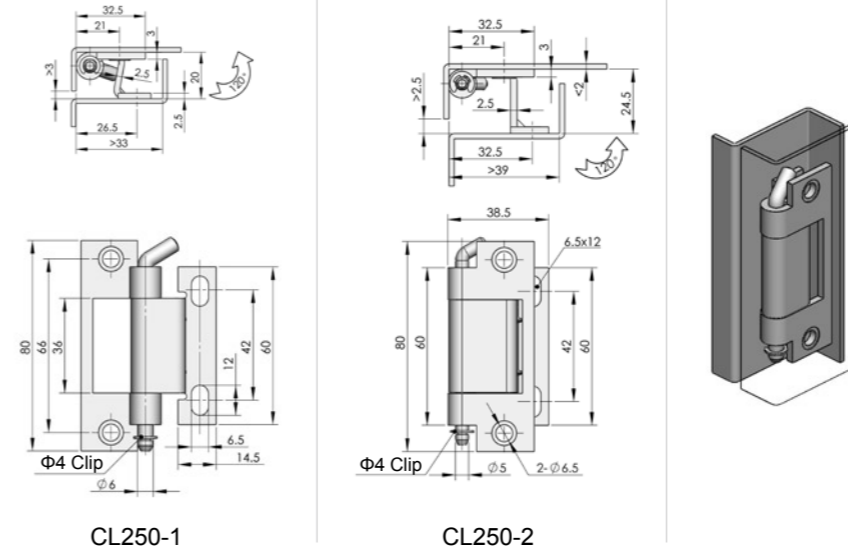
CL248



Main material and finish: White zinc plated steel and pin
Application: Opening angle 120°



ERP	CL248F3D001
-----	-------------



ERP	
CL250-1	CL250-2
CL250F3D001	CL250F3D002

**CL250-1
CL250-2**



Main material and finish: White zinc plated steel hinge and pin