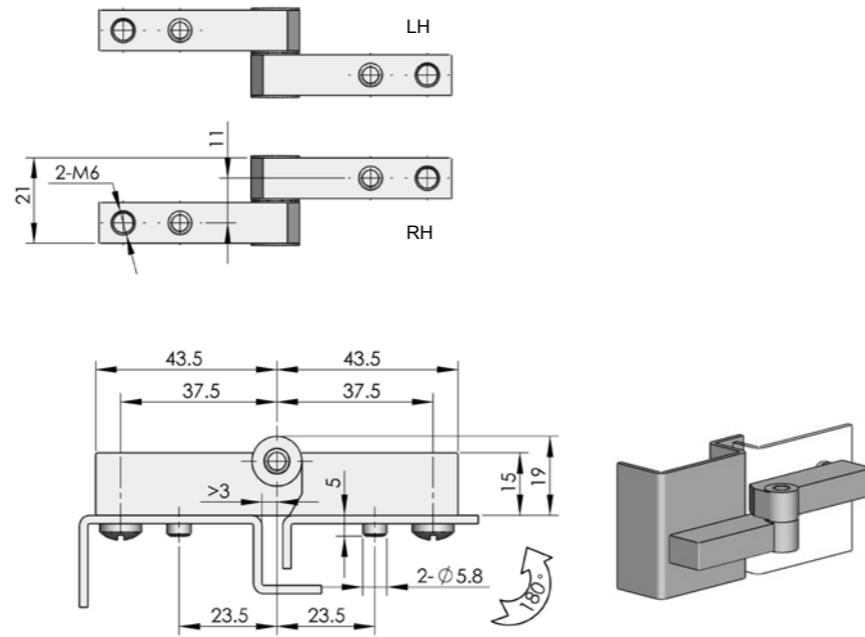


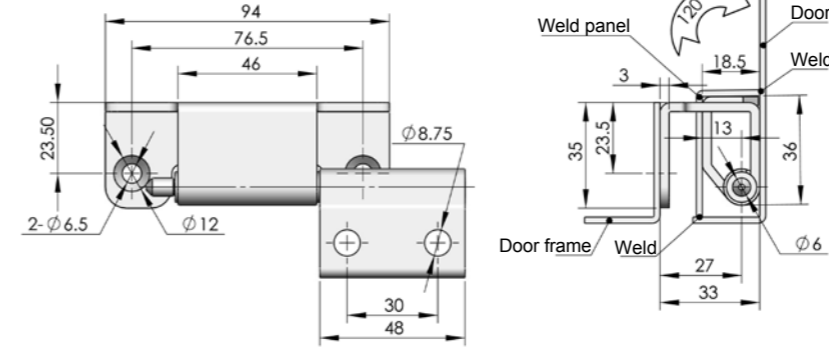
CL242



Main material and finish: Pocked black powder coated ZDC hinge, nickel plated steel pin
Application: Opening angle 180°



	LH	RH
ERP	CL242Z1B001	CL242Z1B002



ERP	CL244F3D001
-----	-------------

CL244

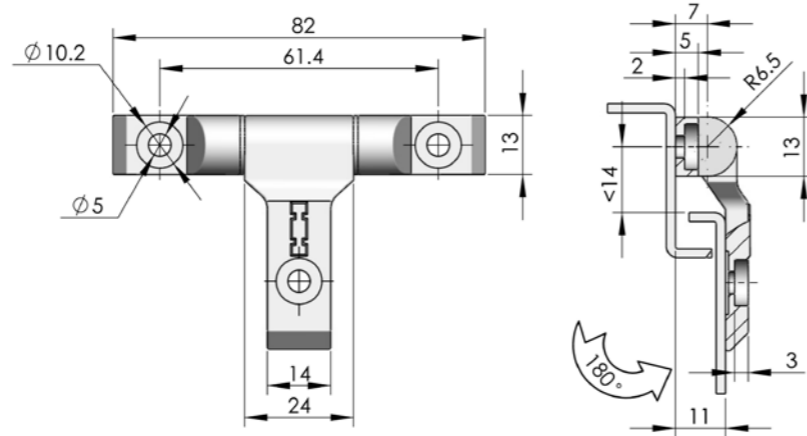


Main material and finish: White zinc plated steel hinge and pin
Application: Opening angle 120°

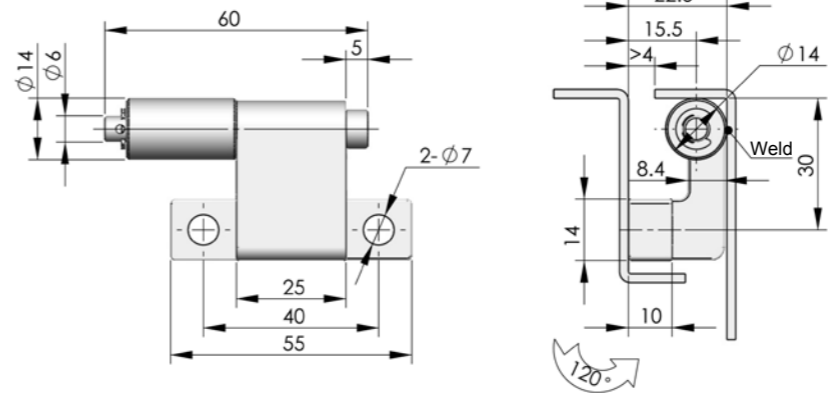
CL243



Main material and finish: ZDC hinge, nickel-plated steel pin, plastic gasket
Application: Opening angle 180°

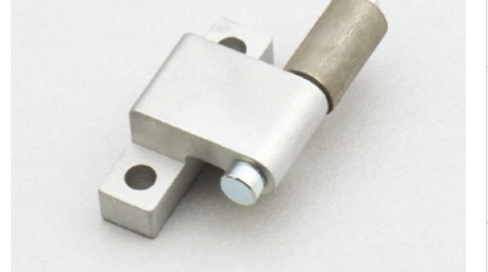


	Black powder coated	Pocked black powder coated	Nanometer painted
ERP	CL243Z1A001	CL243Z1B001	CL243Z2B001



ERP	CL246Z3H001
-----	-------------

CL246



Main material and finish: Sand-spraying and bright chrome-plated ZDC hinge, white zinc-plated steel pin
Application: Opening angle 120°