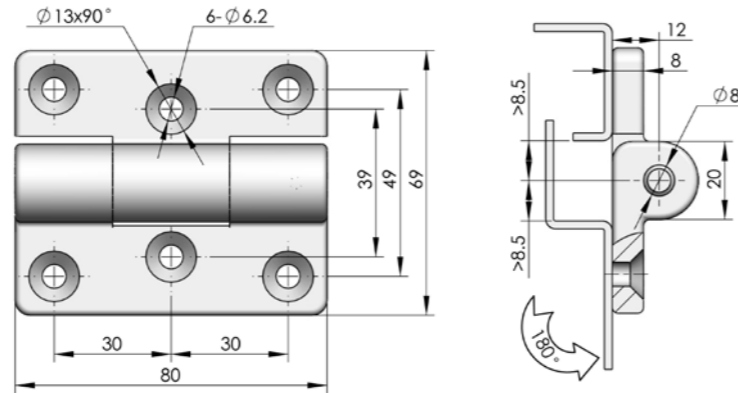


CL233



Main material and finish: Electrolysis or polishing stainless steel hinge
Application: Opening angle 120°

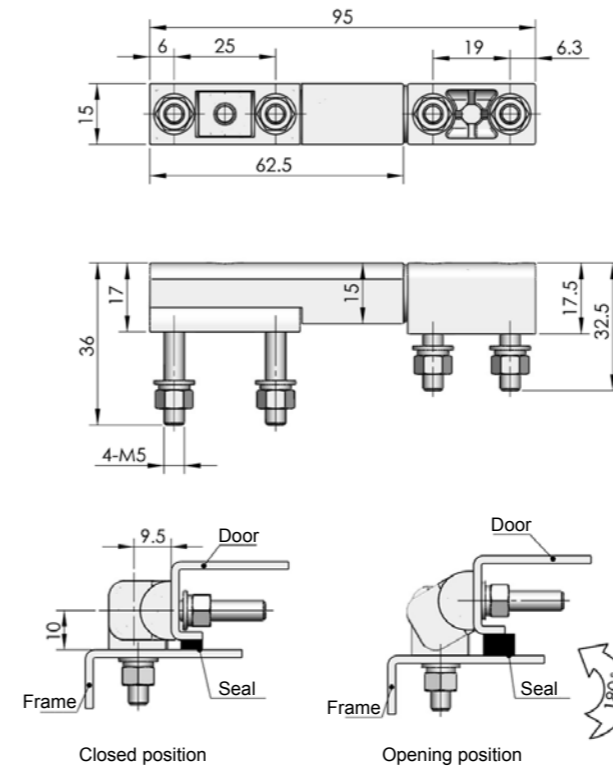


	Electrolysis	Polishing
ERP	CL233S9C001	CL233S4B001

CL235



Main material and finish: Pocked black powder coated ZDC hinge, stainless steel screw
Application: Opening angle 180°

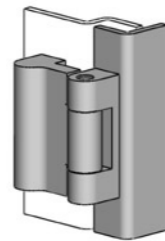
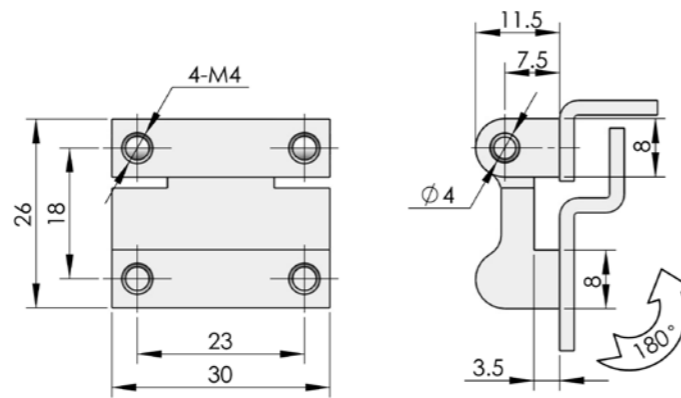


ERP	CL235Z1B001
-----	-------------

CL234



Main material and finish: Black powder coated ZDC hinge, nickel-plated steel pin
Application: Opening angle 180°

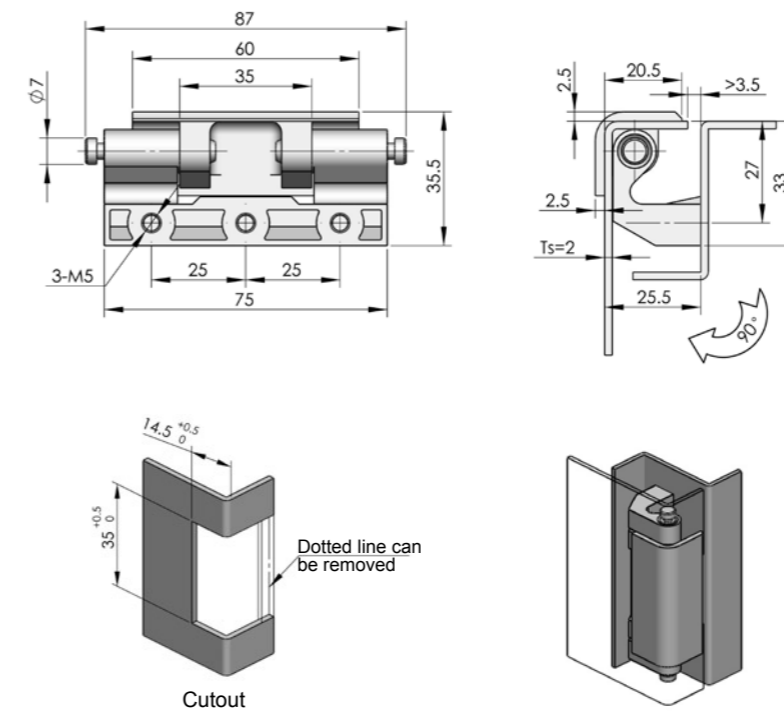


	Black powder coated	Nanometer painted
ERP	CL234Z1A001	CL234Z2B001

CL236



Main material and finish: Black painted ZDC hinge, white zinc-plated steel pin
Application: Opening angle 180°



	Black painted	Nanometer painted
ERP	CL236Z2A001	CL236Z2B001