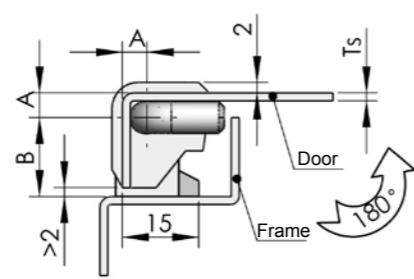
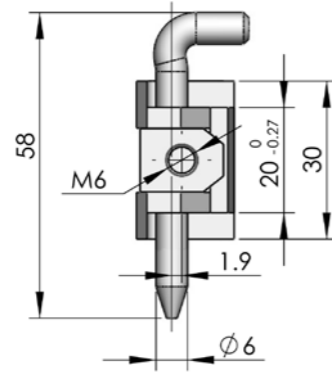


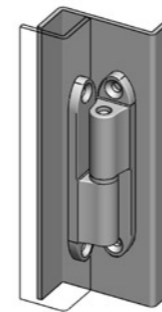
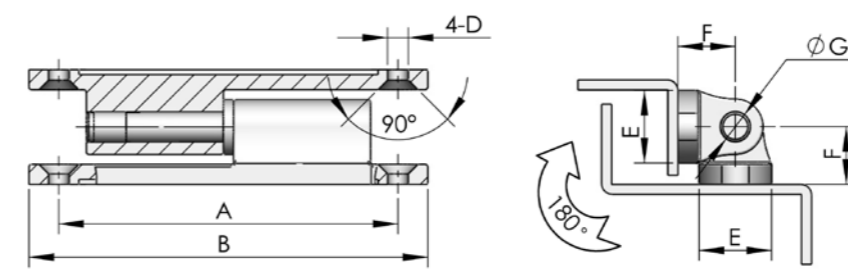
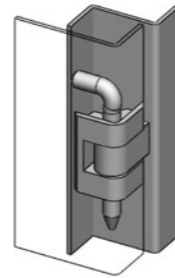
CL230



Main material and finish: Black powder coated ZDC hinge, nickel-plated steel pin
Application: Opening angle 180°



CL230

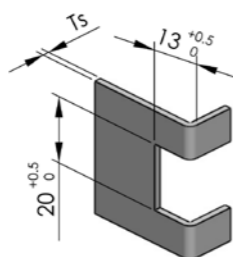


| ERP | Specification | | | | | | |
|-------------|---------------|----|----|------|------|------|----|
| | A | B | C | D | E | F | G |
| CL231Z3A001 | 68 | 80 | Ø8 | Ø4.2 | 14.5 | 11.5 | Ø6 |

CL231-1

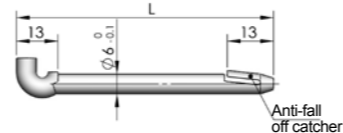


Main material and finish: Bright chrome plated ZDC hinge, nickel-plated steel pin, brass gasket
Application: Opening angle 180°



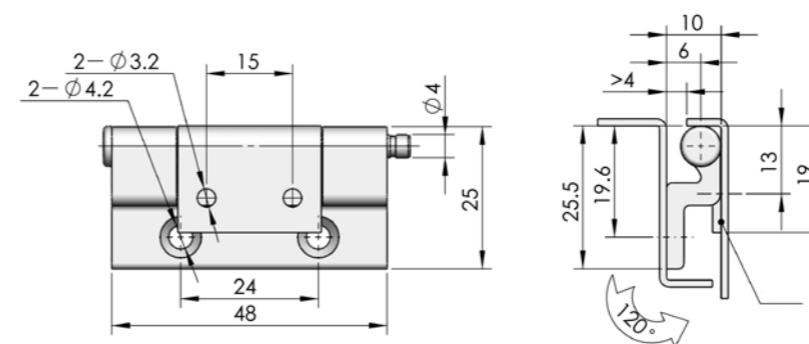
Door cutout

Nylon pin (Optional)



| Part No. | L |
|----------|----|
| PN001 | 57 |
| PN002 | 78 |

| ERP | Specification | | |
|-------------|-------------------|-----|----|
| | Door thickness Ts | A | B |
| CL230Z1A001 | Ts=1.5 | 4.6 | 15 |
| CL230Z1A013 | Ts=2 | 5.1 | 15 |
| CL230Z1A004 | Ts=1.5 | 4.6 | 17 |
| CL230Z1A016 | Ts=2 | 5.1 | 17 |
| CL230Z1A007 | Ts=1.5 | 4.6 | 19 |
| CL230Z1A019 | Ts=2 | 5.1 | 19 |



| ERP | CL232Z3H001 |
|-----|-------------|
|-----|-------------|

CL232



Main material and finish: Sand-spraying and bright chrome-plated ZDC female hinge, white zinc-plated steel male hinge, nickel plated steel pin
Application: Opening angle 120°