

CL225



CL225-1



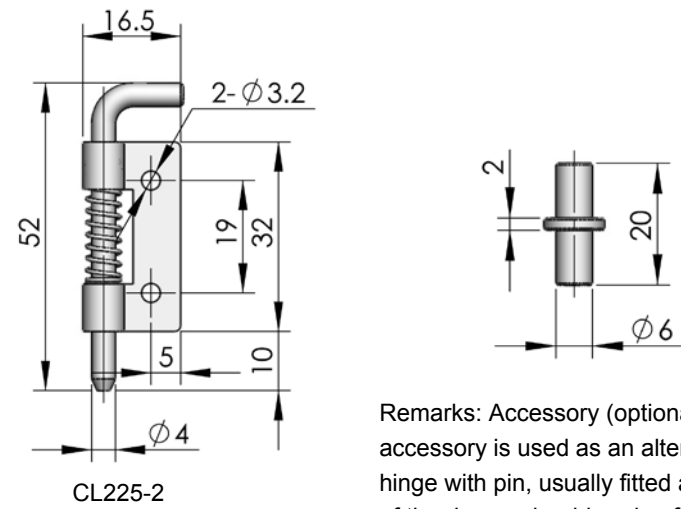
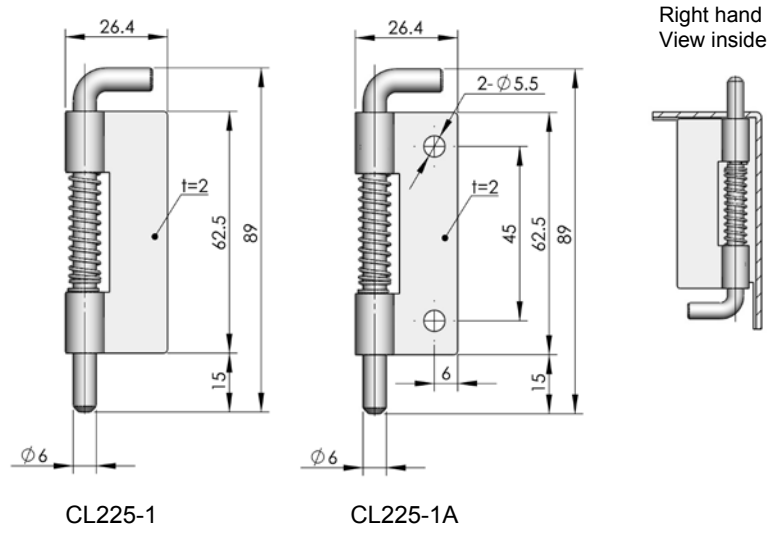
CL225-1A



CL225-2

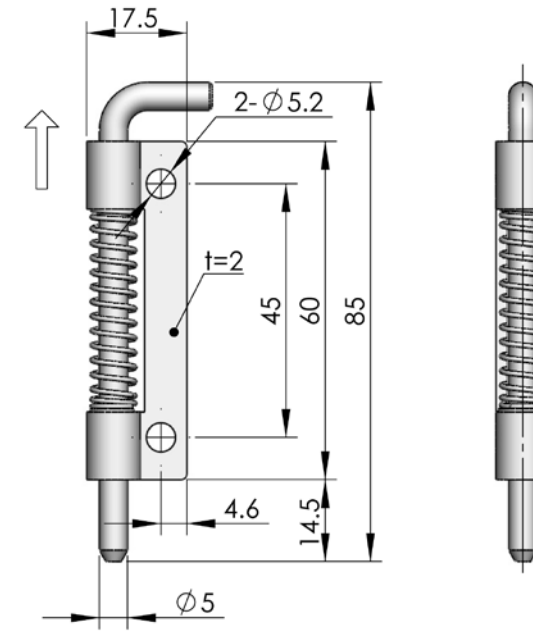


Main material and finish: White zinc plated steel hinge leaf

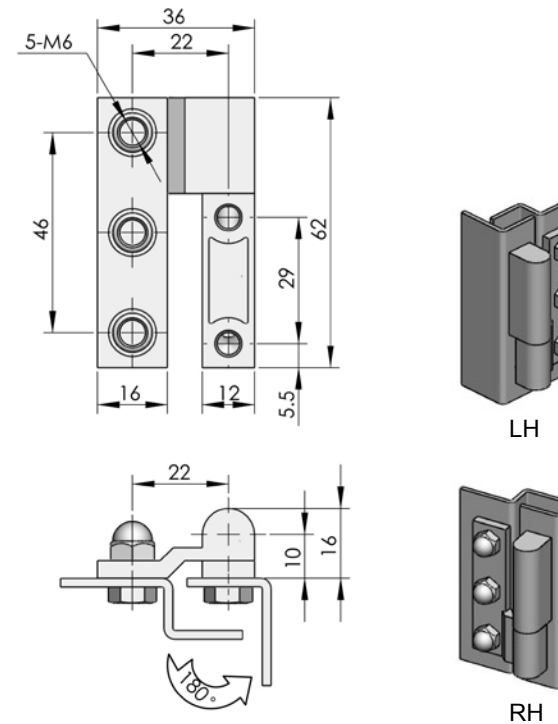


Remarks: Accessory (optional) This accessory is used as an alternative to the hinge with pin, usually fitted at the bottom of the door as load-bearing fixing door

Item	ERP	
	Left hand	Right hand
CL225-1	CL225F3D001	CL225F3D004
CL225-1A	CL225F3D008	CL225F3D007
CL225-2	CL225F3D011	CL225F3D012



	LH	RH
ERP	CL225F3D022	CL225F3D019



	LH	RH
ERP	CL228Z1A001	CL228Z1A002

CL225-3



CL225-3-Y

CL225-3-Z



Main material and finish: White zinc plated

CL228



Main material and finish: Black powder coated ZDC hinge, nickel-plated steel pin
Application: Opening angle 180°