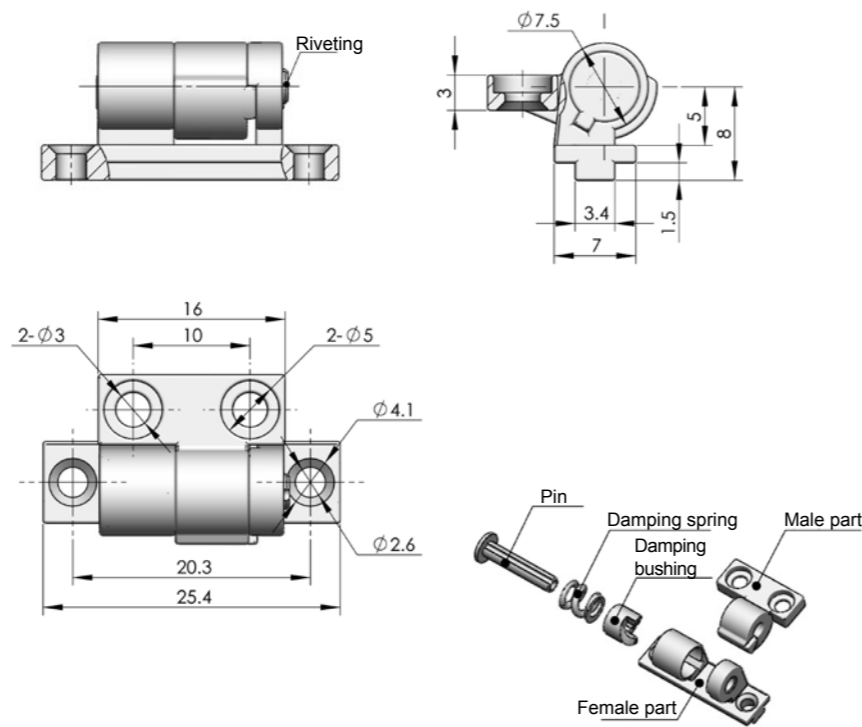


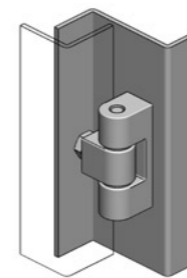
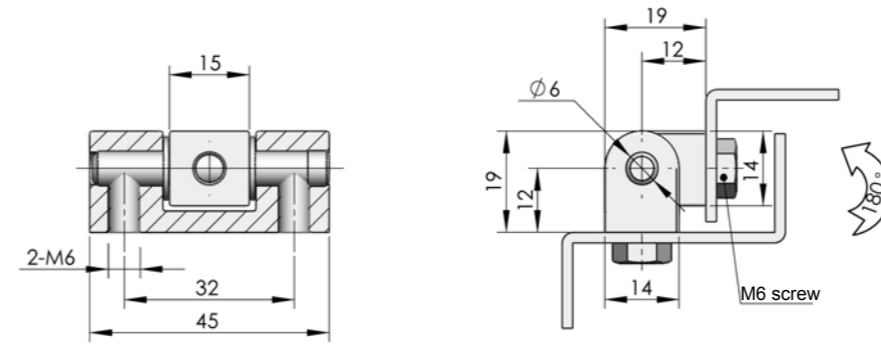
CL220



Main material and finish: Gray chrome-plated ZDC hinge, nickel-plated steel pin



ERP	CL220Z3B001
-----	-------------



	Black powder coated	Pocked black powder coated	Bright chrome-plated	Nanometer painted
ERP	CL222Z1A001	CL222Z1B001	CL222Z3A001	CL222Z2B002

CL222

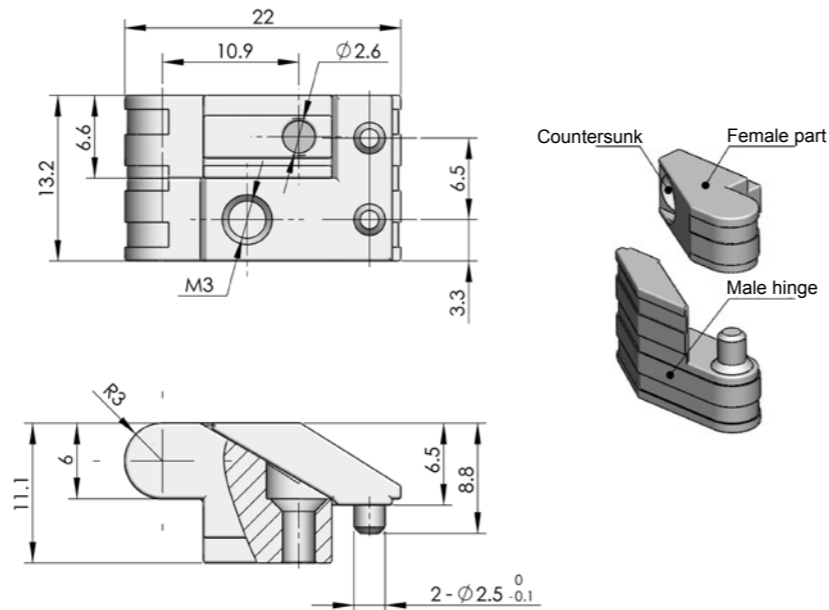


Main material and finish: ZDC hinge, nickel-plated steel pin, PA bushing
Application: Opening angle 180°

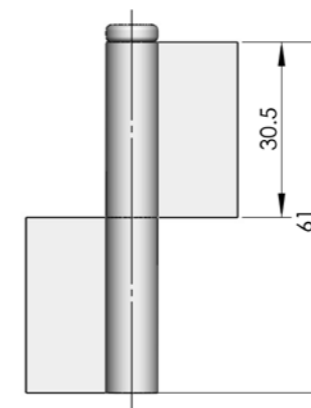
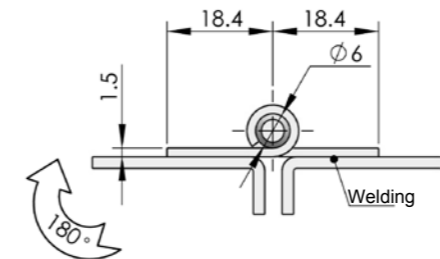
CL221



Main material and finish: Nanometer painted ZDC hinge



ERP	Specification
CL221Z2B001	LH applicable
CL221Z2B002	RH applicable



ERP	CL223F3D001
-----	-------------

CL223



Main material and finish: White zinc plated steel hinge leaf
Application: Opening angle 180°