

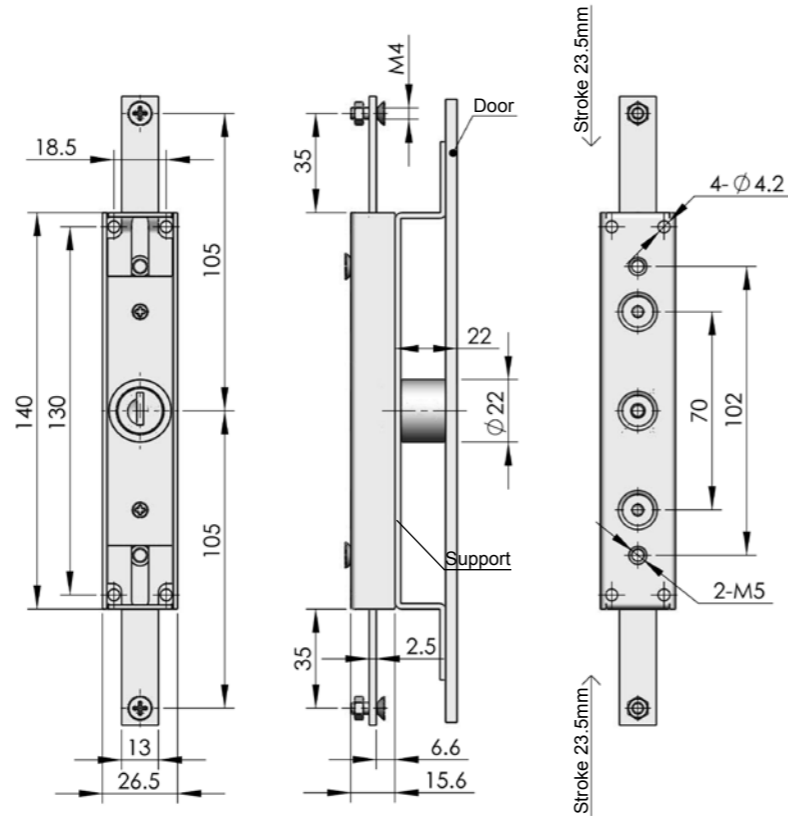
PANEL LOCK SERIES

- Accessories
- Handle lock
- Cylinder lock
- Electronic lock
- Swing handle
- Rod control lock**
- Panel lock
- Toggle and hook
- Handles
- Door stop
- Hinge
- Seal gasket

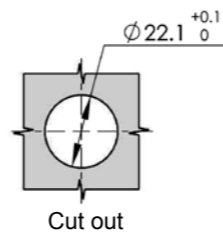
MS889



Main material and finish: Zinc-plated steel lock body and latch, bright chrome-plated insert and lock housing
Application: 2 point latching
Remarks: Default key K140

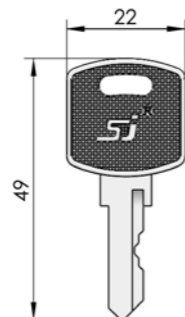


Remarks: Support behind the door panel can be designed by customer



ERP MS889F3D140001

Default key

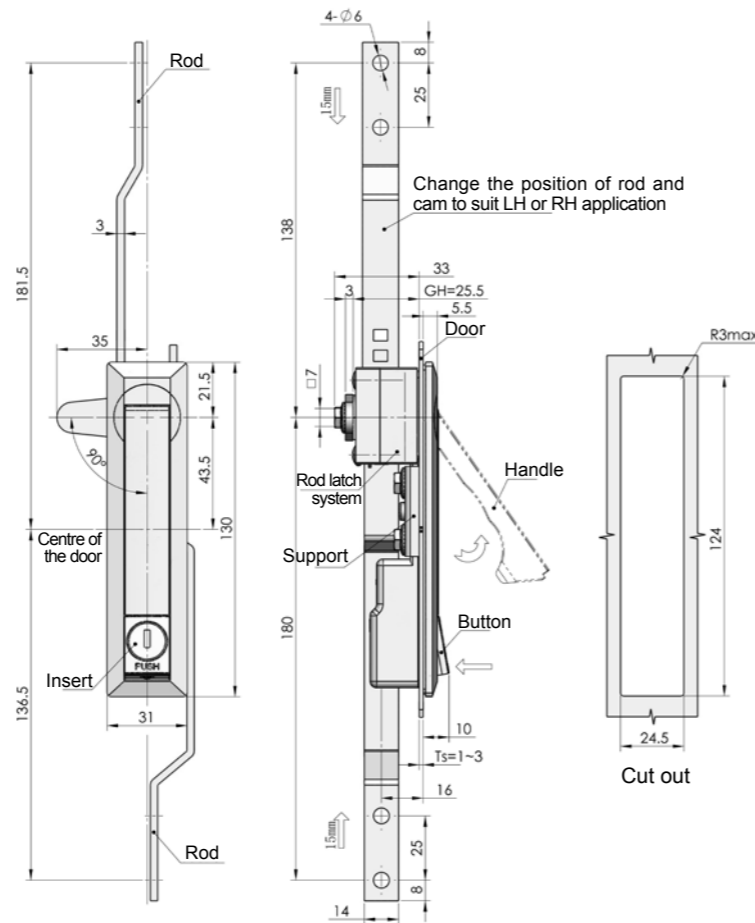


 MS850-1 P193	 MS850-1A P193	 MS850-2 P194	 MS856 P195
 MS857 P196	 MS870 P206	 MS866-1 P198	 MS866-3 P199
 MS866-4 P199	 MS866-5 P200	 MS866-7 P202	 MS866-8 P202
 MS866-11 P203	 MS871 P205	 MS866-14 P204	

MS731-1



MS731-1



MS731-2

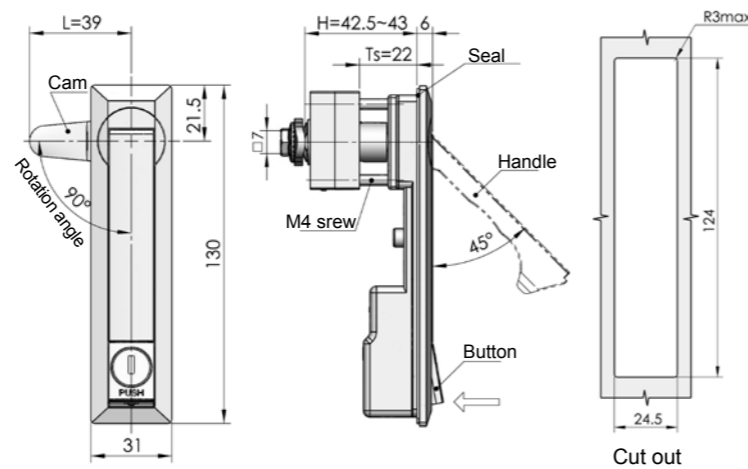


Main material and finish: ZDC housing, handle, button and rod latch, white zinc-plated steel cam and rod

Application: Quick-open, easy assembling, 90 degree handle rotation combines with rod latch to open or close

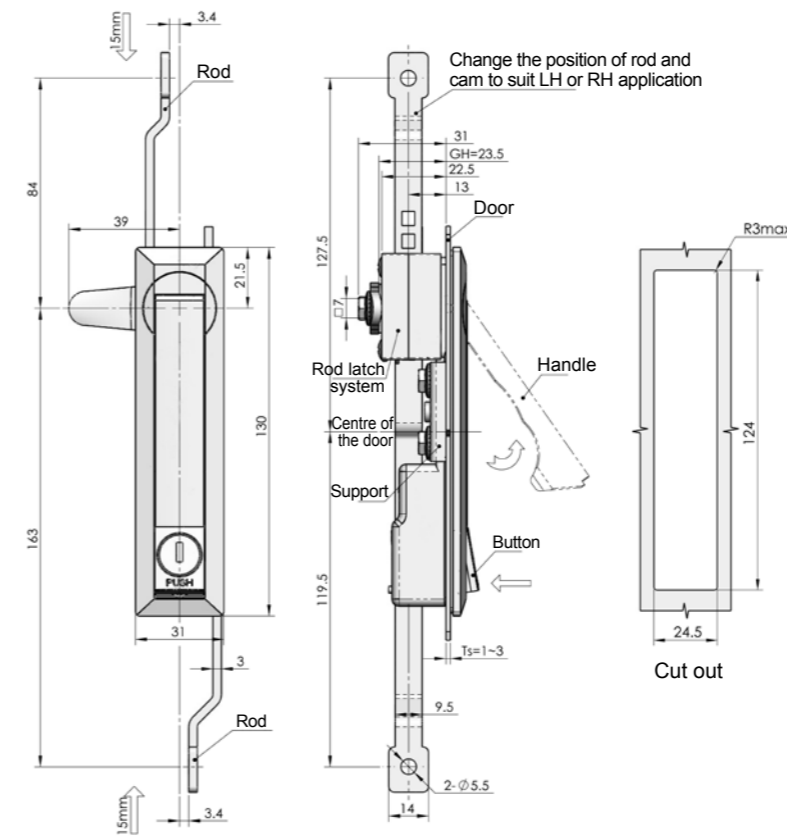
Remarks: Default key K060

MS731-2



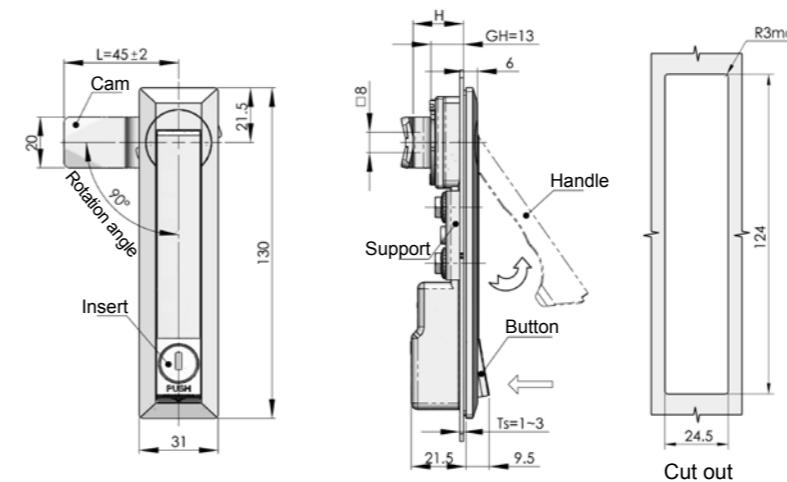
	Black painted housing, handle	Nanometer painted housing, handle
ERP	MS731Z2A060001	MS731Z2B060001

MS731-3



	Black painted housing, handle	Nanometer painted housing, handle
ERP	MS731Z2A060005	MS731Z2B060005

MS731-4



	Black painted housing, handle	Nanometer painted housing, handle
ERP	MS731Z2A060006	MS731Z2B060006

MS731-3



MS731-4

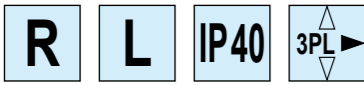


Main material and finish: ZDC housing, handle, button and rod latch, white zinc-plated steel cam

Application: Quick-open, easy assembling, 90 degree handle rotation combines with rod latch to open or close

Remarks: Default Key K060

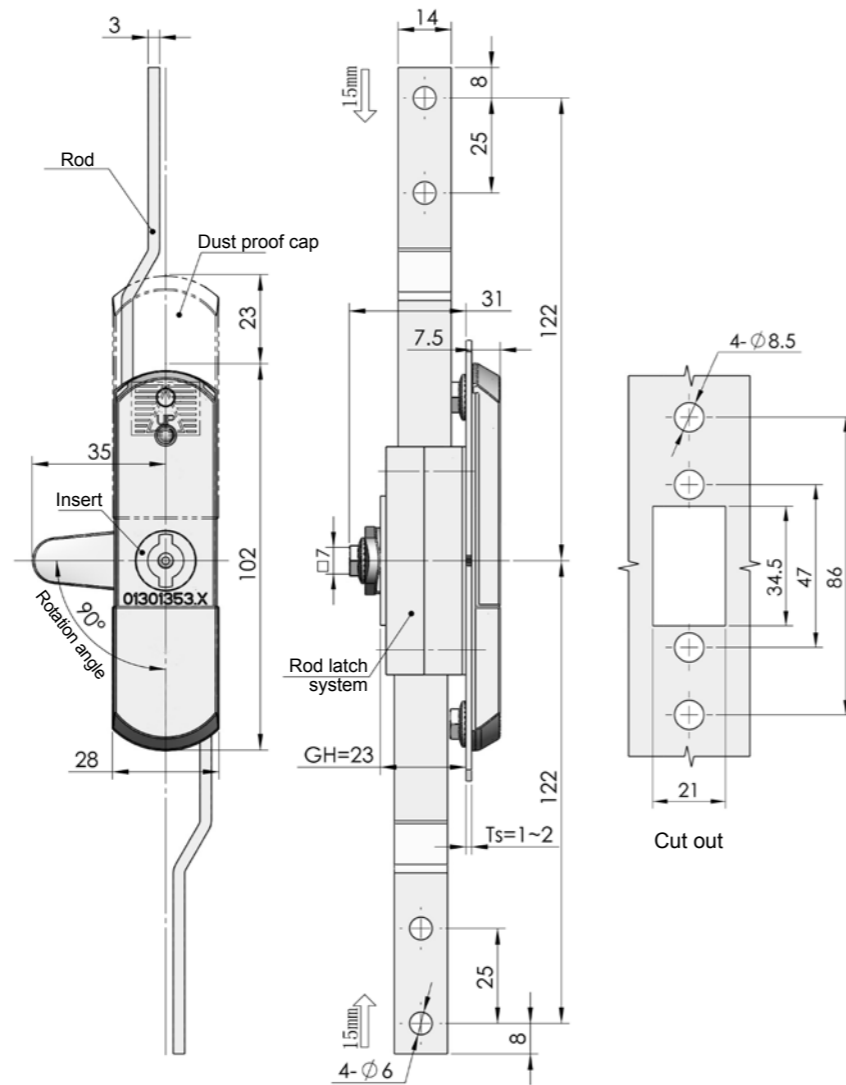
MS820



Main material and finish: Nanometer painted ZDC panel, dust-proof cap and insert, white zinc-plated steel cam and rod latch

Application: Insert quarter-turn rotation combines with rod latch system to open or close

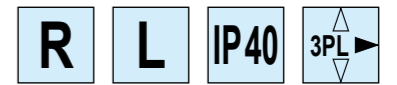
Remarks: Optional key K15-01C



Remarks: Keep rod and rod latch in place while removing the cam and insert, rotating the rod latch in 180° to suit RH or LH application

Specification	ERP	
	Nanometer painted	Black painted
Hooked	MS820Z2BT03001	MS820Z1AT03001
Triangular 8mm	MS820Z2BT04001	
Cross insert	MS820Z2BE02001	

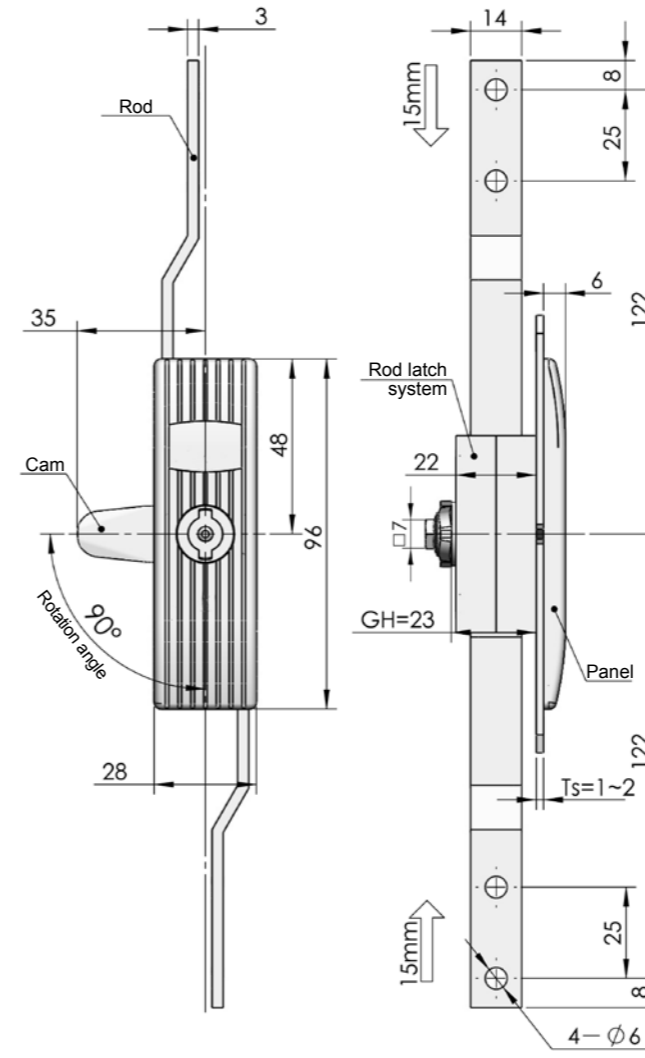
MS820-1A



Main material and finish: Nanometer painted ZDC insert and ABS panel, white zinc-plated steel cam and rod latch

Application: Insert quarter-turn rotation combines with rod latch system to open or close

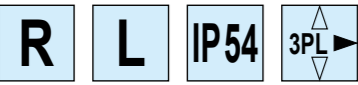
Remarks: Optional key K15-01C



Remarks: Keep rod and rod latch in place while removing the cam and insert, rotating the rod latch in 180° to suit RH or LH application

ERP MS820N2BT03001

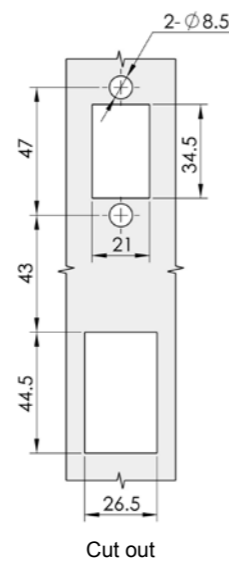
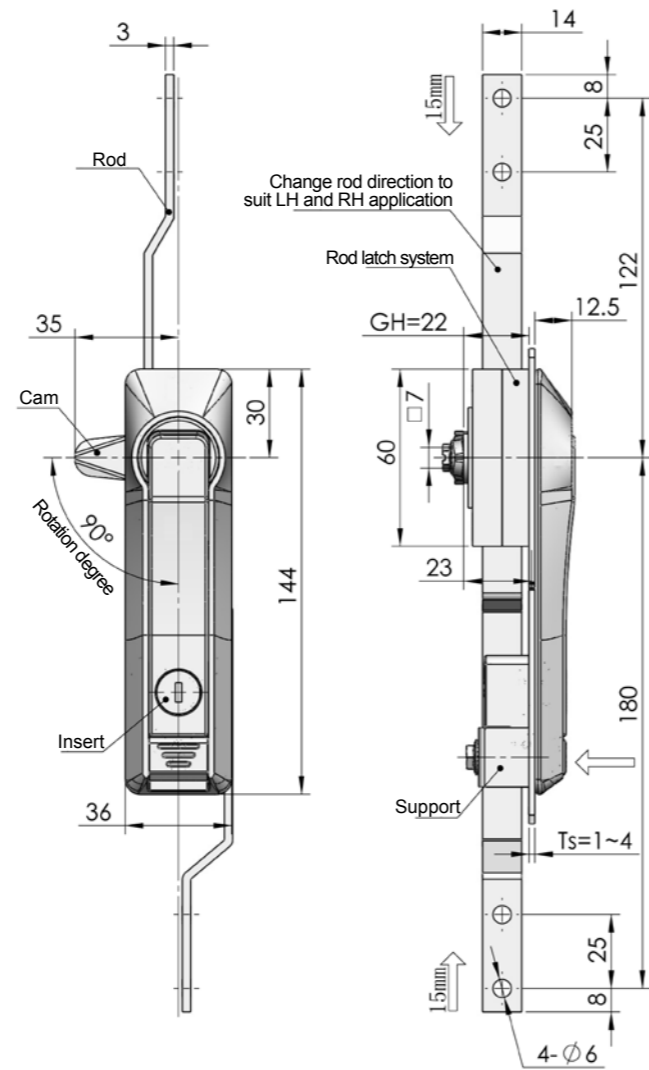
MS828



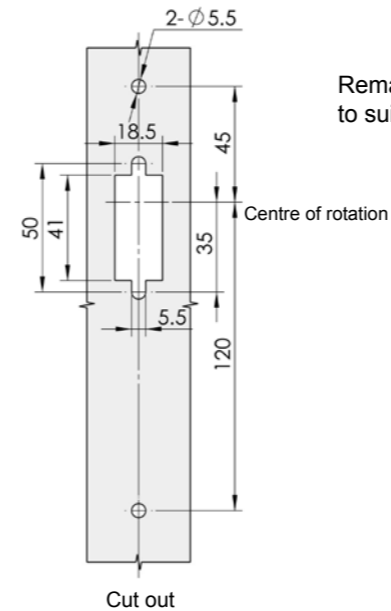
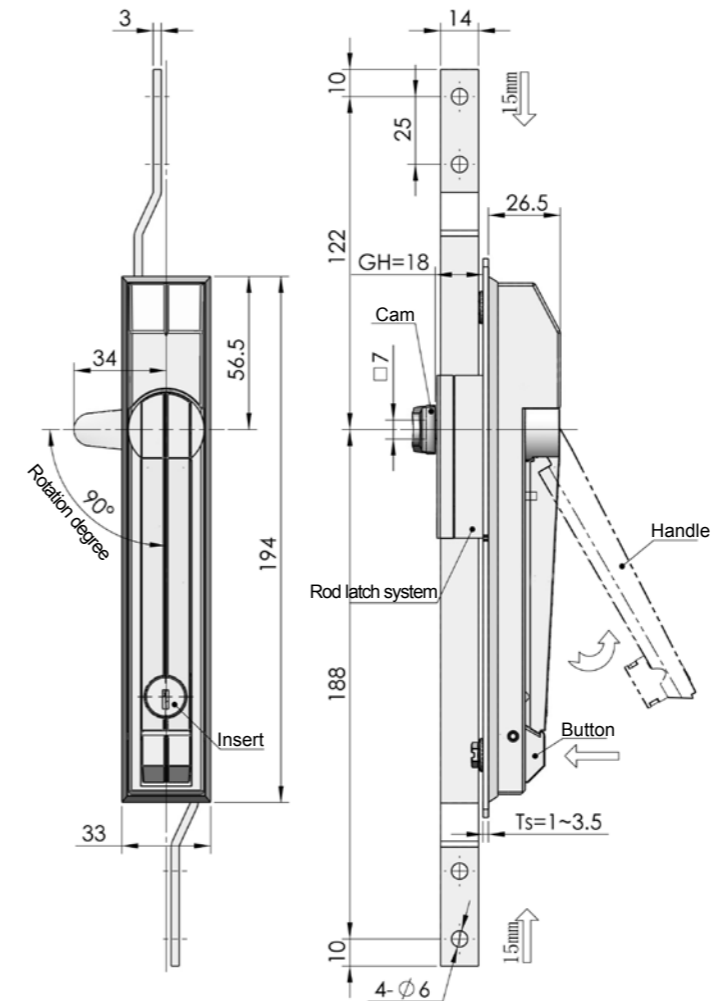
Main material and finish: Nanometer painted ZDC housing, handle, and button, ZDC support, white zinc-plated steel cam and rod latch, steel rod

Application: Quick-open, easy assembling, handle quarter-turn combines with rod latch system to open or close

Remarks: Default key K100



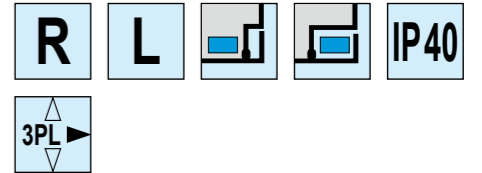
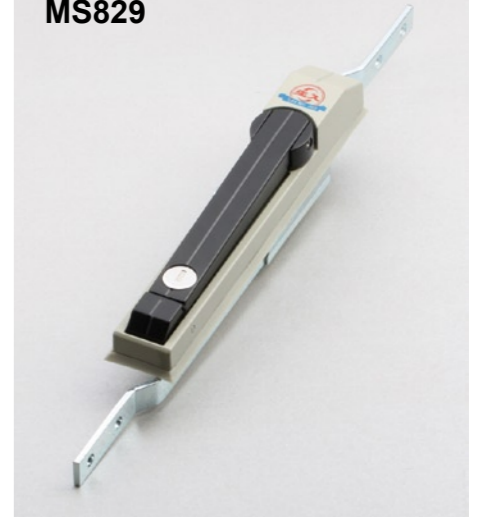
	Black powder coated housing and handle	Nanometer painted housing and handle
ERP	MS828Z1A100001	MS828Z2B100001



Remarks: Change rod and cam position to suit RH or LH application

ERP	MS829Z1E060001
-----	----------------

MS829



Main material and finish: Yellow gray powder coated ZDC housing, black powder coated ZDC handle and button, white zinc-plated steel cam and rod latch

Application: Quick-open, easy assembling, handle quarter-turn combines with rod latch system to open or close

Remarks: Default key K060

Accessories
Handle lock
Cylinder lock
Electronic lock
Swing handle
Rod control lock
Panel lock
Toggle and hook
Handles
Door stop
Hinge
Seal gasket

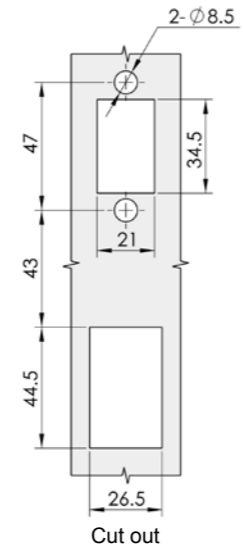
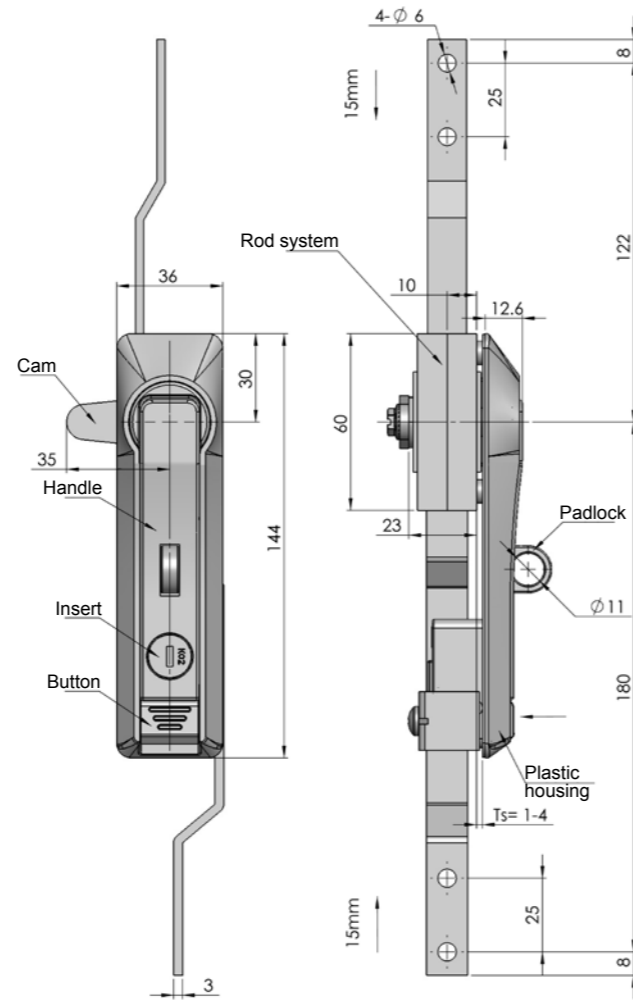
MS828-1F



Main material and finish: Black powder coated ZDC handle, shaft and button, white zinc-plated ZDC rod latch, white zinc-plated rod and cam

Main material for housing: Nylon + Metal parts

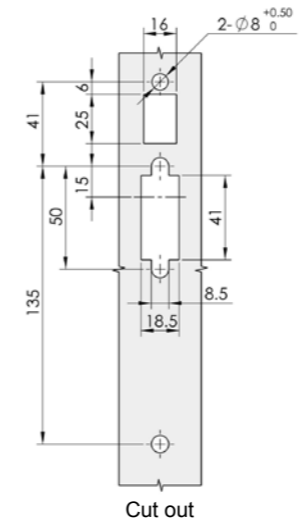
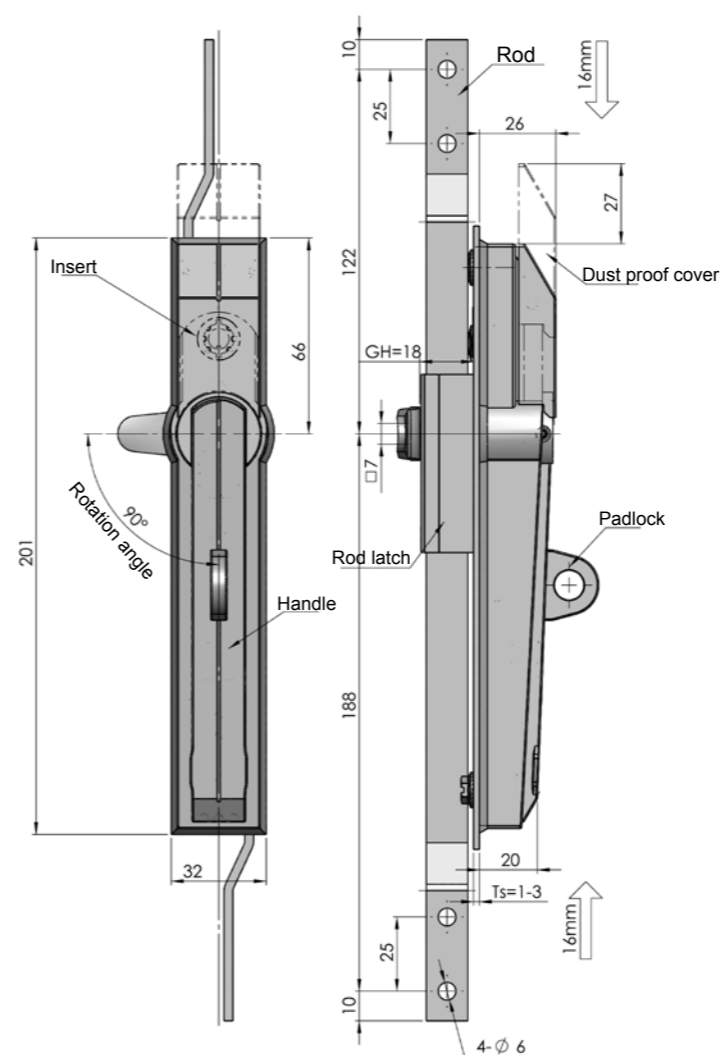
Remarks: Default Key K020



Remarks : Optional rod latch system MB1

ERP

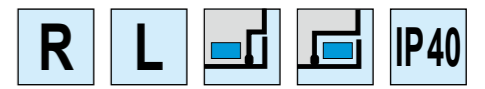
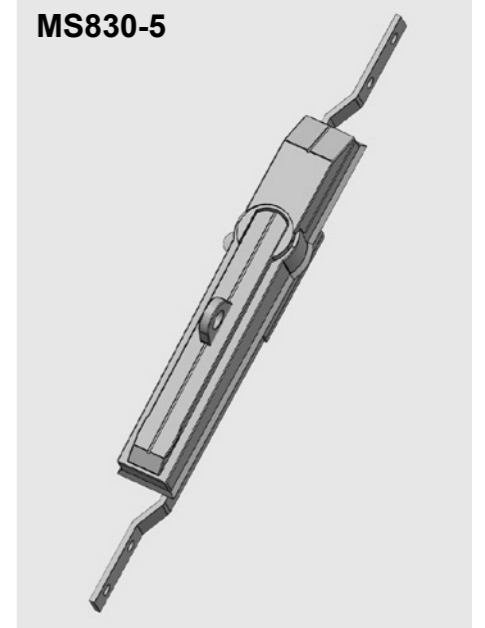
MS828N00100001



ERP

MS830Z2EE04001

MS830-5



Main material and finish: Nanometer-painted ZDC housing and cover, black high salt mist resistance painted ZDC handle and shaft, steel rod, cam and connection accessory, stainless steel catcher

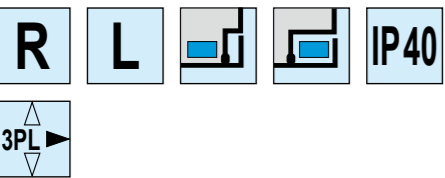
Remarks: Optional key K580

Accessories
Handle lock
Cylinder lock
Electronic lock
Swing handle
Rod control lock
Panel lock
Toggle and hook
Handles
Door stop
Hinge
Seal gasket

MS830



MS830-3

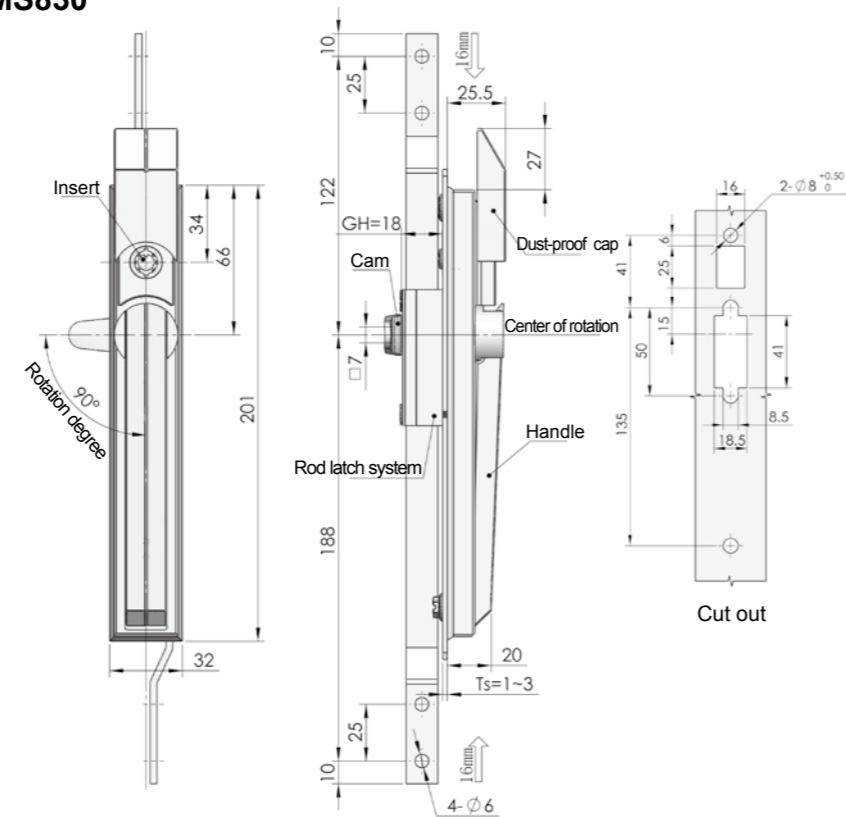


Main material and finish: ZDC housing, handle, and dust-proof cap, white zinc-plated steel cam and rod-latch

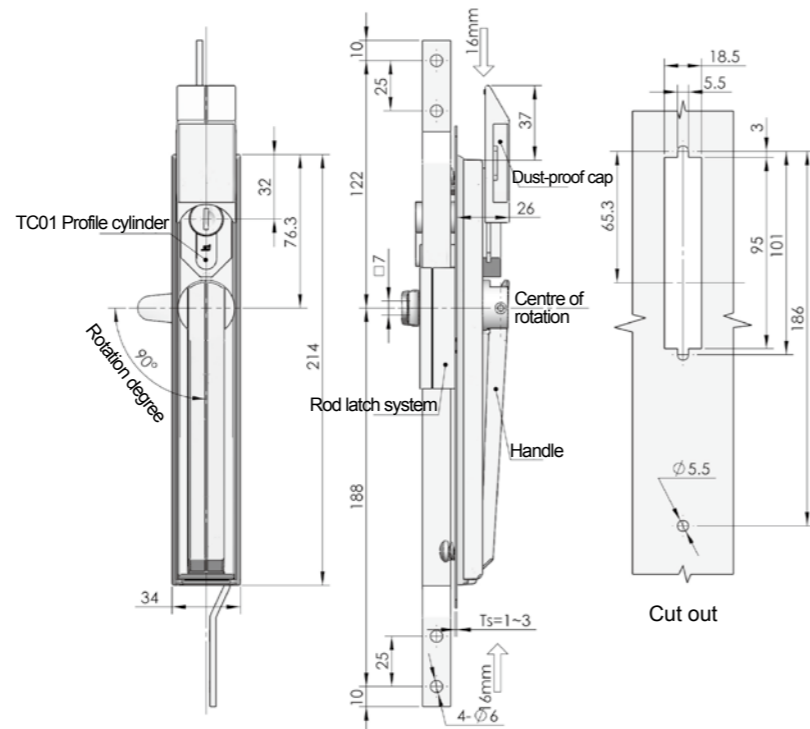
Application: Quick-open, easy assembling, handle quarter-turn combines with rod latch system to open or close

Remarks: MS830 default key K580
MS830-3 default key K140

MS830

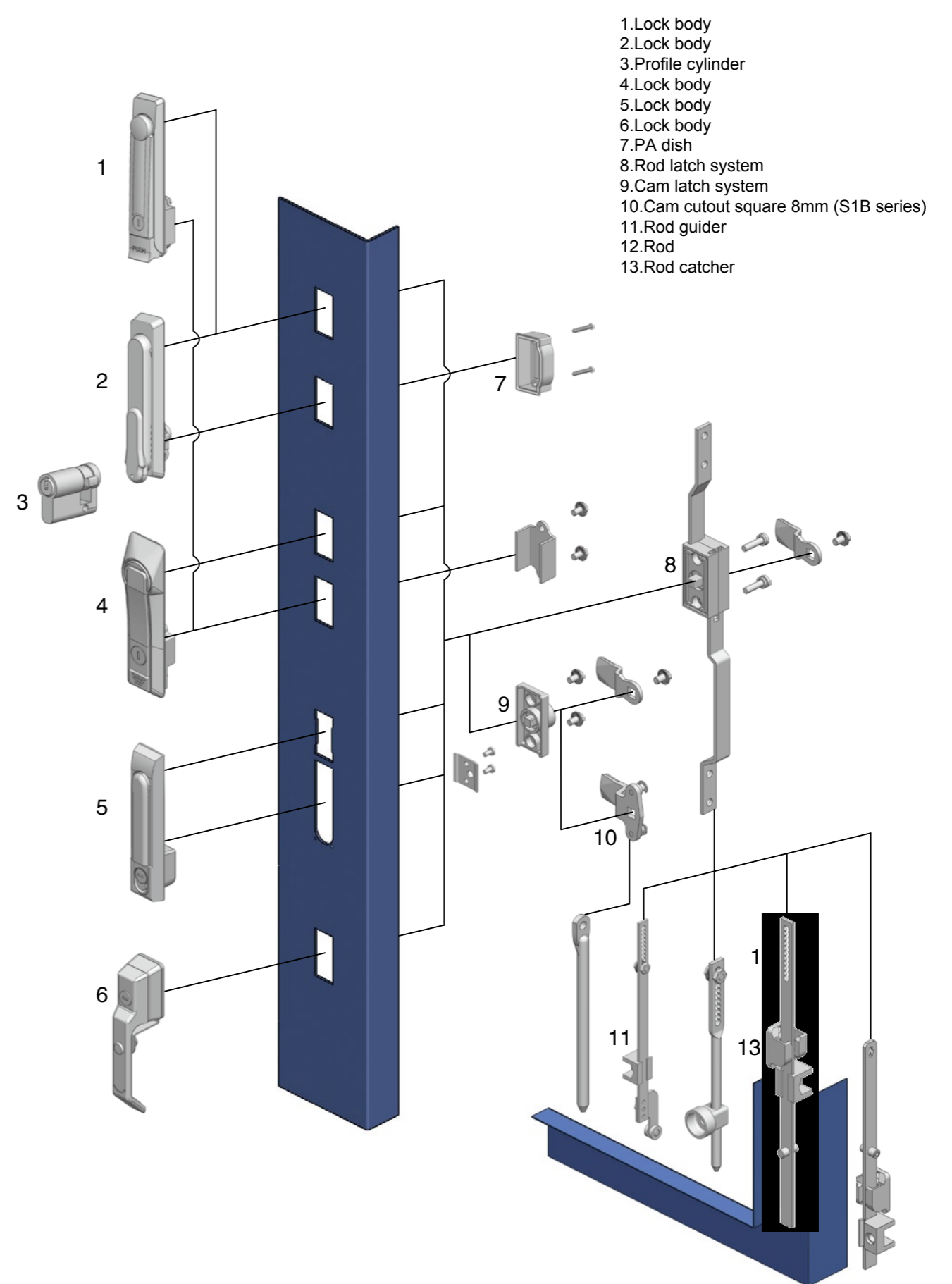


MS830-3

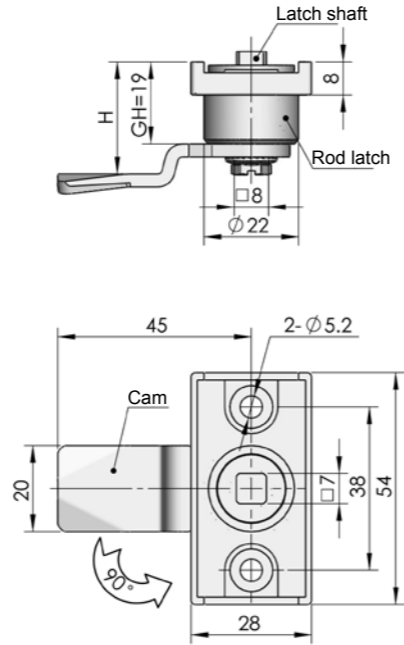
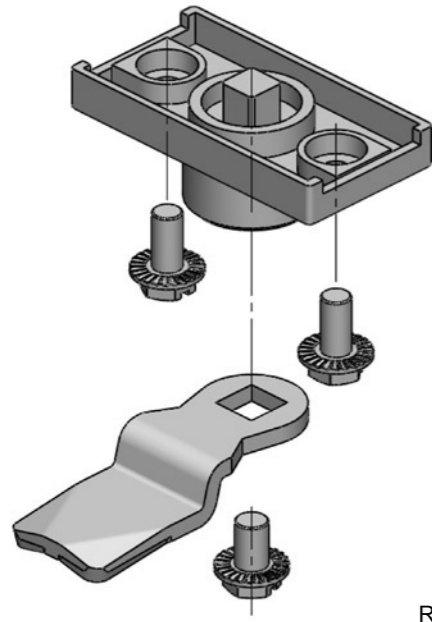


Remarks: Change rod and cam position to suit RH or LH application

	MS830	MS830-3
ERP	MS830Z1EE04001	MS830Z2B140001

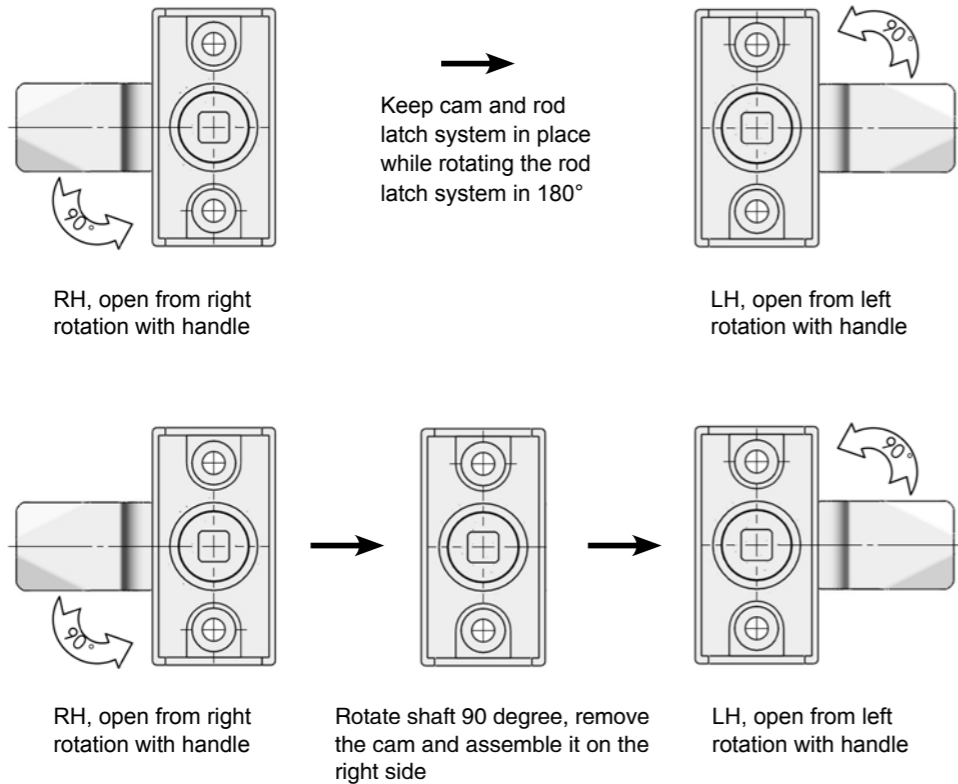


Cam latch system Mb90

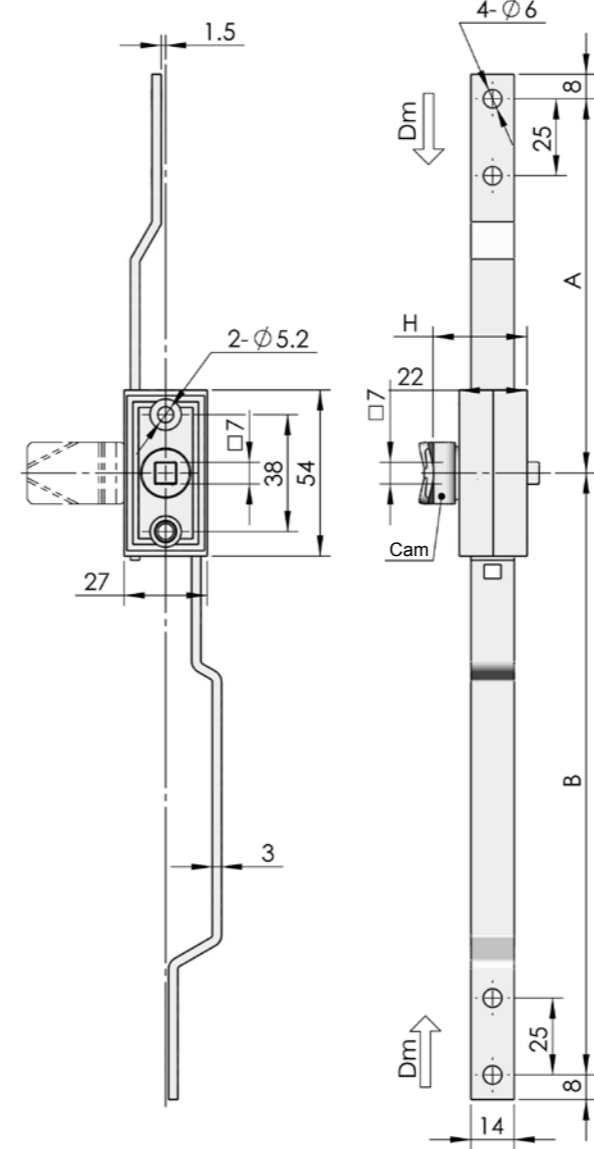


Remarks: Default rod latch system, closing position, quarter-turn rotation, cam cutout square 8mm, optional cam series S1B, S2B, S3B, detailed cam list on P007
 Default one-point cam S1B4507, H=19+7, length 45
 Default three-point cam S3B4510, H=19+10

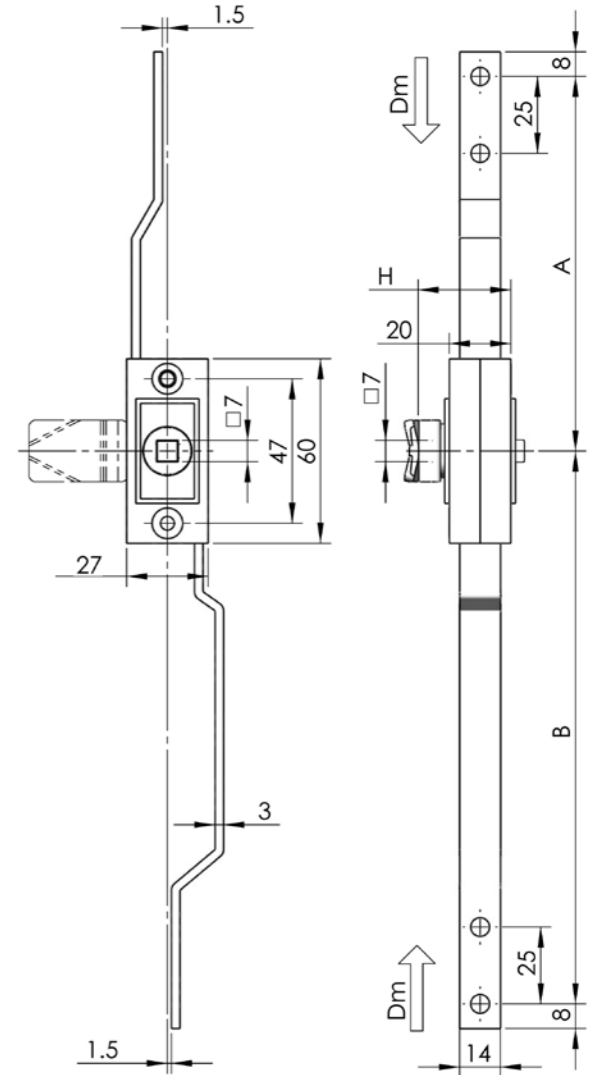
RH and LH application example



**Mb0 Series
Mb2 Series**



Mb1 Series



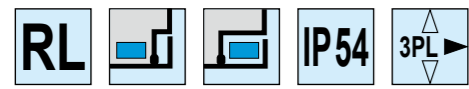
Remarks: Rod latch system, use for seal door-outside, cam cutout 7mm, optional cam S1A cam series, see detailed cam list on P007. Default cam S1A3500, H=GH, length 35.
 Keep rod and rod latch in place, remove the cam and insert, and rotate rod latch system in 180 degree to suit RH or LH application

Dm: Rod stroke
 Ra: Rotation angle code

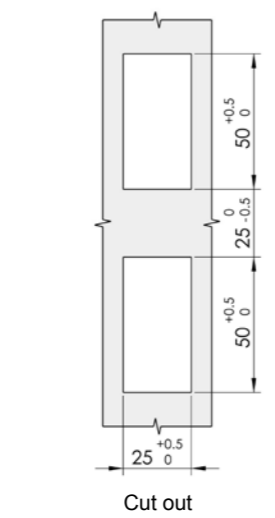
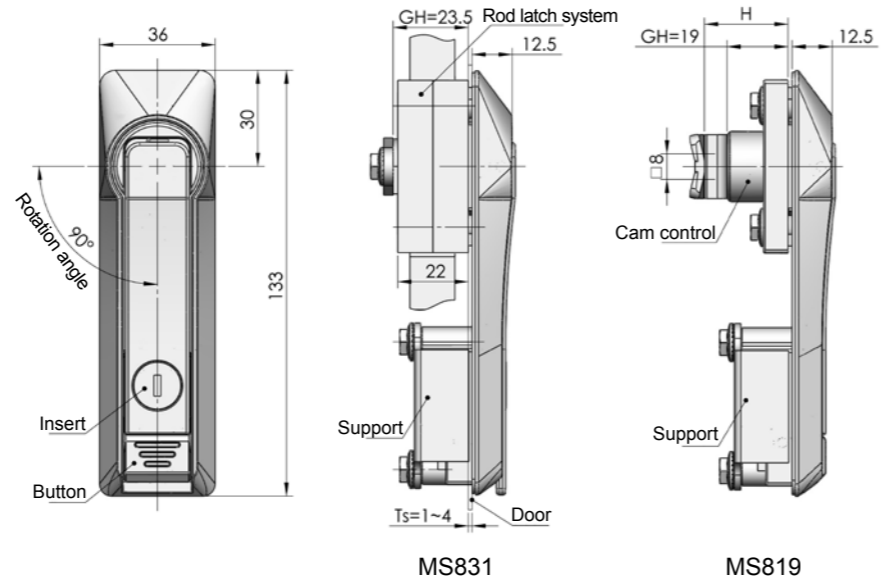
Rod latch system	Dm	Ra	A	B	Specification
Mb01	15	90°	122	196	With cam
Mb02	15	90°	122	196	Without cam
Mb03	15	90°	138	196	With cam
Mb04	15	90°	138	196	Without cam
Mb21	15	90°	122	122	With cam
Mb24	23	135°	138	130	Without cam

Rod latch system	Dm	Ra	A	B	Specification
Mb11	15	90°	122	180	With cam
Mb12	15	90°	122	180	Without cam
Mb13	20	115°	130	188	With cam
Mb14	23	120°	130	188	Without cam

Accessories
Handle lock
Cylinder lock
Electronic lock
Swing handle
Rod control lock
Panel lock
Toggle and hook
Handles
Door stop
Hinge
Seal gasket

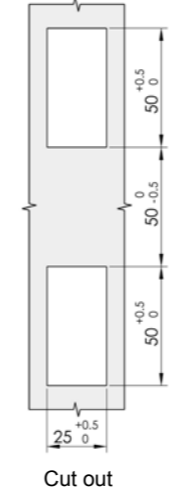
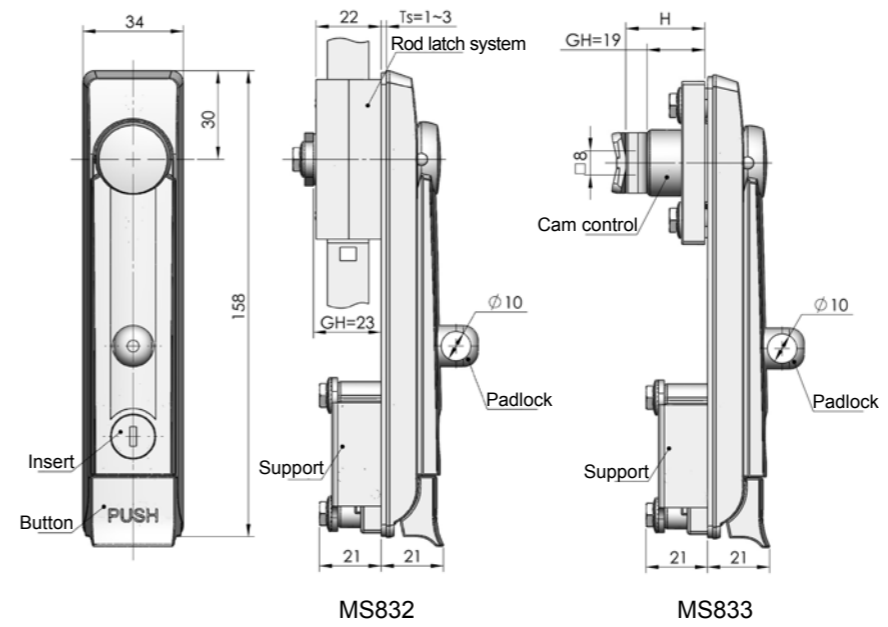


Main material and finish: Black powder coated ZDC handle, housing and button, white zinc-plated steel cam and rod
Application: Quick-open, easy assembling, 90 degree handle rotation combines with rod latch to open or close
Remarks: Default key K040



Optional Accessories:
See cam latch system Mb9 series on P157
Rod latch system Mb0 series on P158

Specification	ERP
With button, optional rod latch system Mb01	MS831Z1A040001
With button, optional rod latch system Mb02	MS831Z1A040002
Without button, optional rod latch system Mb01	MS831Z1A040004
Without button, optional rod latch system Mb02	MS831Z1A040005
Without button	MS819Z1A040001
With button	MS819Z1A040002



Optional Accessories:
See cam latch system Mb9 series on P157
Rod latch system Mb0 series on P158

Specification	ERP
With button, optional rod latch system Mb01	MS832Z1B030001
With button, optional rod latch system Mb01, padlockable	MS832Z1B030002
With button, optional rod latch system Mb02	MS832Z1B030013
With button, optional rod latch system Mb02, padlockable	MS832Z1B030014
Without button, optional rod latch system Mb01	MS832Z1B030005
Without button, optional rod latch system Mb01, padlockable	MS832Z1B030006
Without button, optional rod latch system Mb02	MS832Z1B030015
Without button, optional rod latch system Mb02, padlockable	MS832Z1B030016
With button	MS833Z1B030001
With button, padlockable	MS833Z1B030002
Without button	MS833Z1B030003
Without button, padlockable	MS833Z1B030004

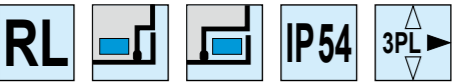


Main material and finish: Pocked black powder coated ZDC handle, housing and button, ZDC dust-proof cap, white zinc-plated steel cam and rod
Application: Quick-open, easy assembling, 90 degree handle rotation combines with rod latch to open or close
Remarks: Default key K030

Accessories
Handle lock
Cylinder lock
Electronic lock
Swing handle
Rod control lock
Panel lock
Toggle and hook
Handles
Door stop
Hinge
Seal gasket

Accessories
Handle lock
Cylinder lock
Electronic lock
Swing handle
Rod control lock
Panel lock
Toggle and hook
Handles
Door stop
Hinge
Seal gasket

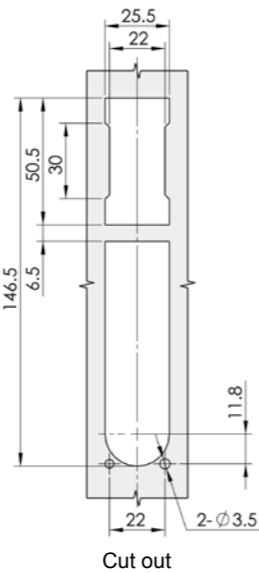
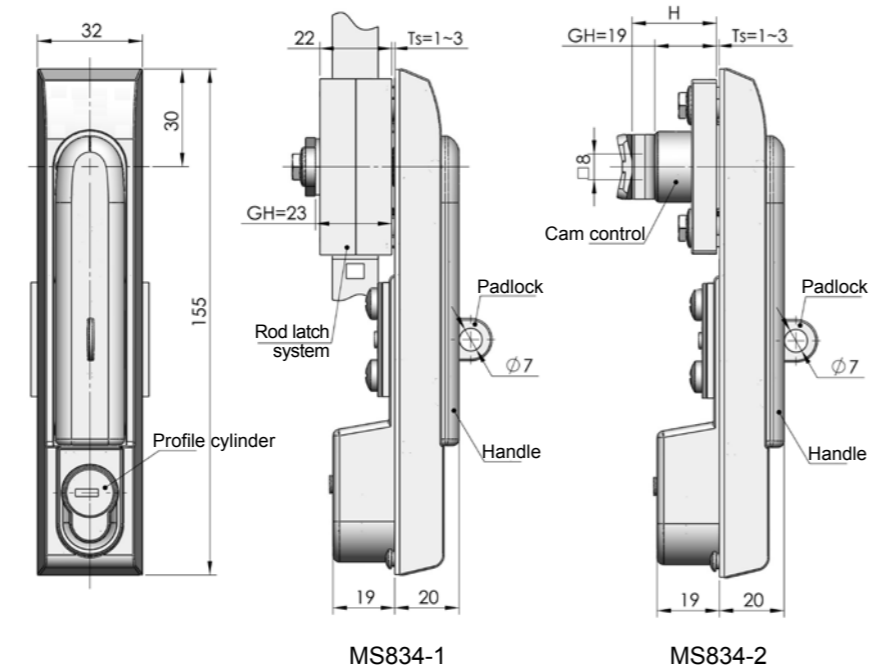
MS834



Main material and finish: Black powder coated ZDC handle and housing, bright chrome-plated ZDC profile cylinder, white zinc-plated steel cam and rod latch, steel rod

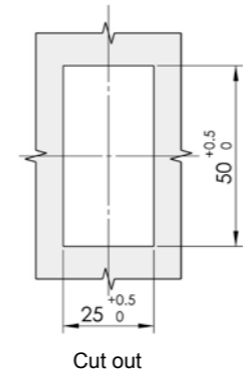
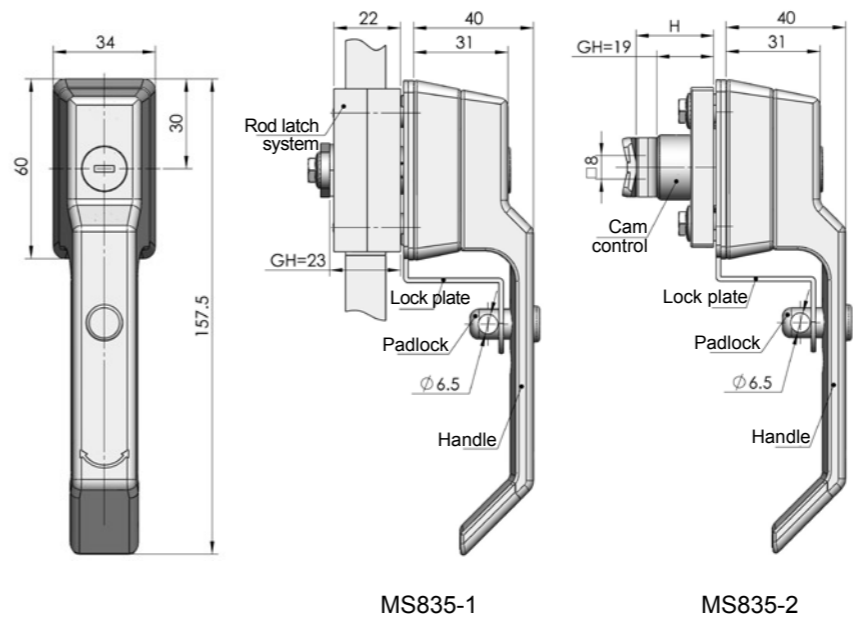
Application: Quick-open, easy assembling, 90 degree handle rotation combines with rod latch to open or close

Remarks: Default profile cylinder TC04-1, default key K040



Optional Accessories:
See cam latch system Mb9 series on P157
Rod latch system Mb0 series on P158
Profile cylinder on P029

Specification	ERP
Optional rod latch system Mb01	MS834Z1A040001
Optional rod latch system Mb02	MS834Z1A040009
Cam latch system	MS834Z1A040003

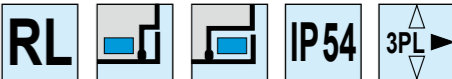
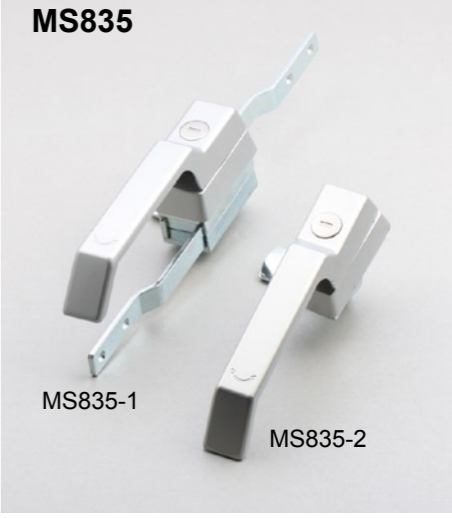


Remarks: Door thickness Ts=1~2mm(Padlockable), Ts=1~4(Unpadlockable)

Optional Accessories:
See cam latch system Mb9 series on P157
Rod latch system Mb2 series on P158

Specification	ERP
Optional rod latch system Mb21	MS835Z2B030001
Optional rod latch system Mb21, padlockable	MS835Z2B030002
Optional rod latch system Mb22	MS835Z2B030003
Optional rod latch system Mb22, padlockable	MS835Z2B030004
Cam latch system	MS835Z2B030005
Cam latch system, padlockable	MS835Z2B030006

MS835



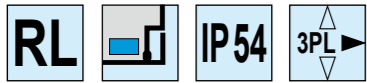
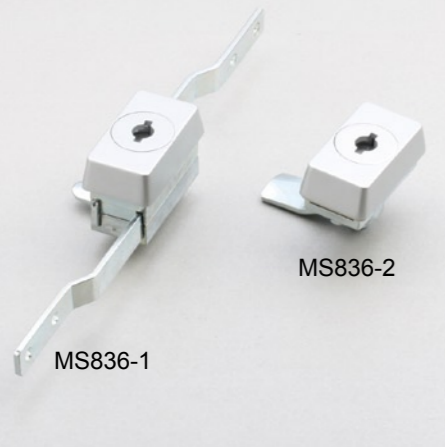
Main material and finish: Nanometer painted ZDC handle and housing, white zinc-plated steel cam and rod, brass shaft

Application: 90 degree handle rotation combines with rod latch to open or close

Remarks: Default key K030

Accessories
Handle lock
Cylinder lock
Electronic lock
Swing handle
Rod control lock
Panel lock
Toggle and hook
Handles
Door stop
Hinge
Seal gasket

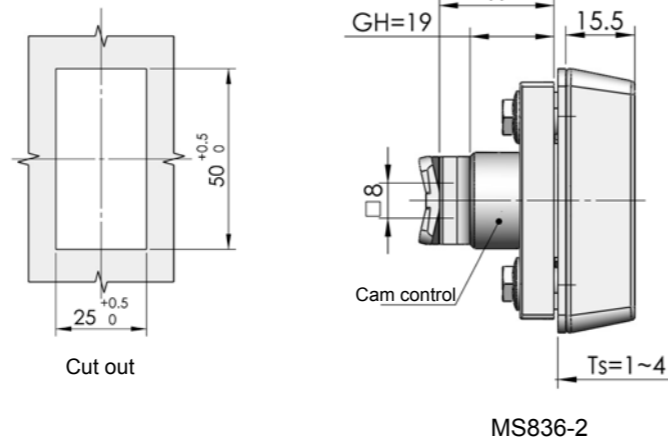
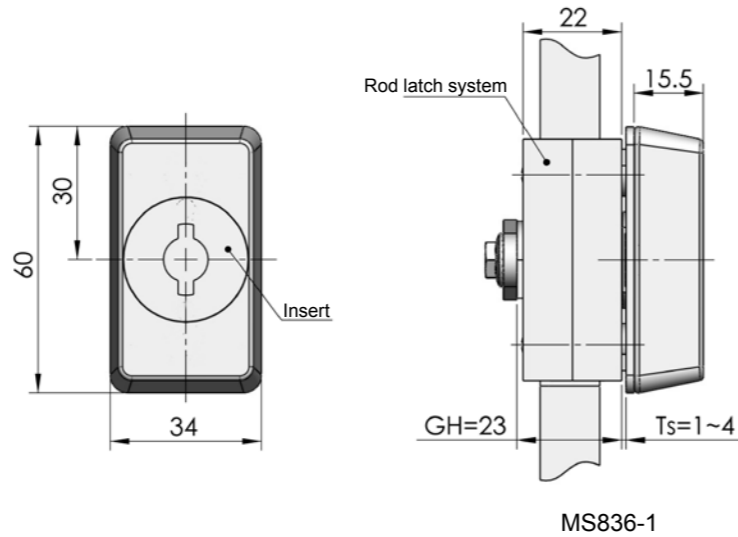
MS836



Main material and finish: Nanometer painted ZDC housing and insert, white zinc-plated steel cam and rod

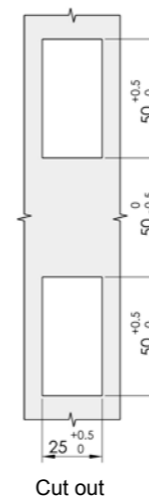
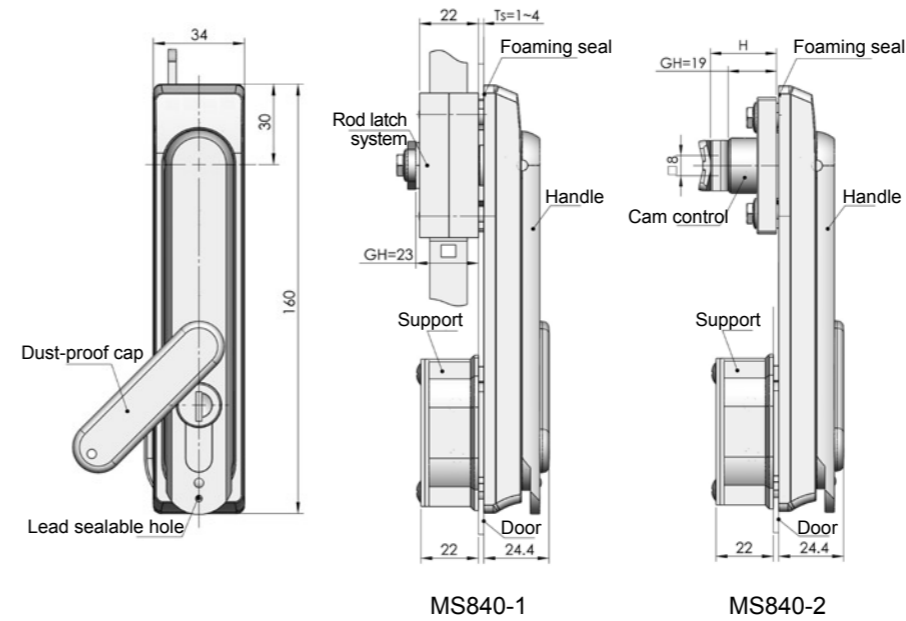
Application: 90 degree handle rotation combines with rod latch to open or close

Remarks: Optional key K15-01C



Optional Accessories:
See cam latch system Mb9 series on P157
Rod latch system Mb2 series on P158

Specification	ERP
Optional rod latch system Mb21	MS836Z2BT03001
Optional rod latch system Mb22	MS836Z2BT03002
Cam latch system	MS836Z2BT03003



Optional accessories:
See cam latch system Mb9 series on P157
Rod latch system Mb0 series on P158
TC01/TC02/TC03 profile cylinder on P029

Remarks: PA housing or ZDC housing, default ZDC housing

Specification	ERP
Optional rod latch system Mb01	MS840Z1B140001
Optional rod latch system Mb01, padlockable	MS840Z1B140002
Optional rod latch system Mb02	MS840Z1B140019
Optional rod latch system Mb02, padlockable	MS840Z1B140020
Cam latch system	MS840Z1B140013
Cam latch system, padlockable	MS840Z1B140014

MS840

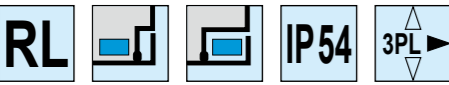


Main material and finish: Pocked black powder coated ZDC housing and handle, ZDC profile cylinder, white zinc-plated steel cam and rod

Application: 90 degree handle rotation combines with rod latch to open or close

Remarks: Default key K140

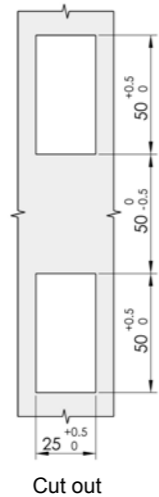
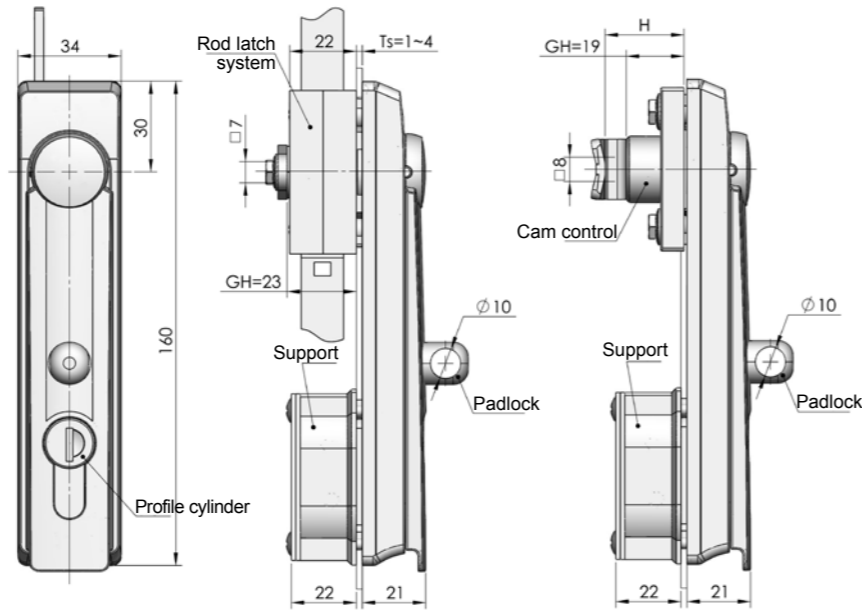
MS846



Main material and finish: Pocked black powder coated ZDC handle and housing, ZDC profile cylinder, white zinc-plated steel cam and rod

Application: 90 degree handle rotation combines with rod latch to open or close

Remarks: Default profile cylinder TC01, default key K140

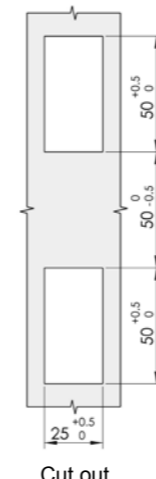
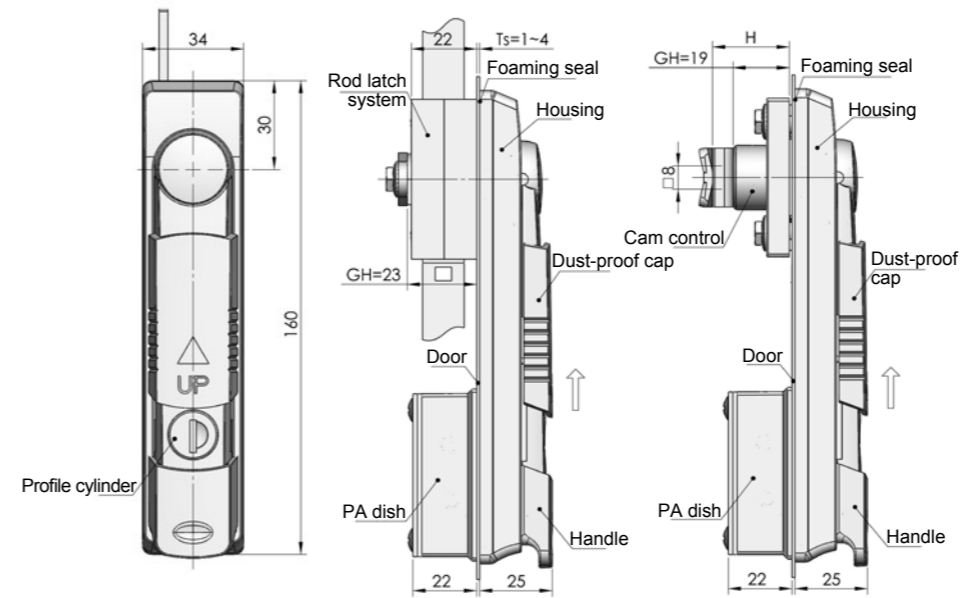


Cut out

Optional accessories:
See cam latch system Mb9 series on P157
Rod latch system Mb0 series on P158
TC01/TC02/TC03 profile cylinder on P029

Remarks: PA housing or ZDC housing ,default ZDC housing

Specification	ERP
Optional rod latch system Mb01	MS846Z1B140001
Optional rod latch system Mb01, padlockable	MS846Z1B140002
Optional rod latch system Mb02	MS846Z1B140005
Optional rod latch system Mb02, padlockable	MS846Z1B140006
Cam latch system	MS846Z1B140003
Cam latch system, padlockable	MS846Z1B140004



Cut out

Optional accessories:
See cam latch system Mb9 series on P157
Rod latch system Mb0 series on P158
TC01/TC02/TC03 profile cylinder on P029

Remarks : PA housing or ZDC housing, default ZDC housing

Specification	ERP
Optional rod latch system Mb01	MS848Z1B140001
Optional rod latch system Mb02	MS848Z1B140004
Cam latch system	MS848Z1B140002

MS848

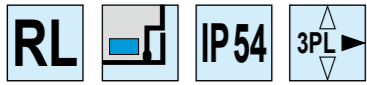


Main material and finish: Pocked black powder coated ZDC handle and housing, ZDC profile cylinder, white zinc-plated steel cam and rod

Application: 90 degree handle rotation combines with rod latch to open or close

Remarks: Default profile cylinder TC01, default key K140

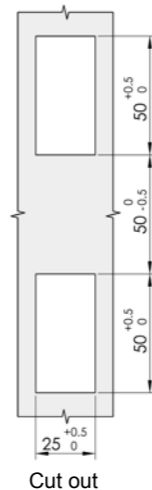
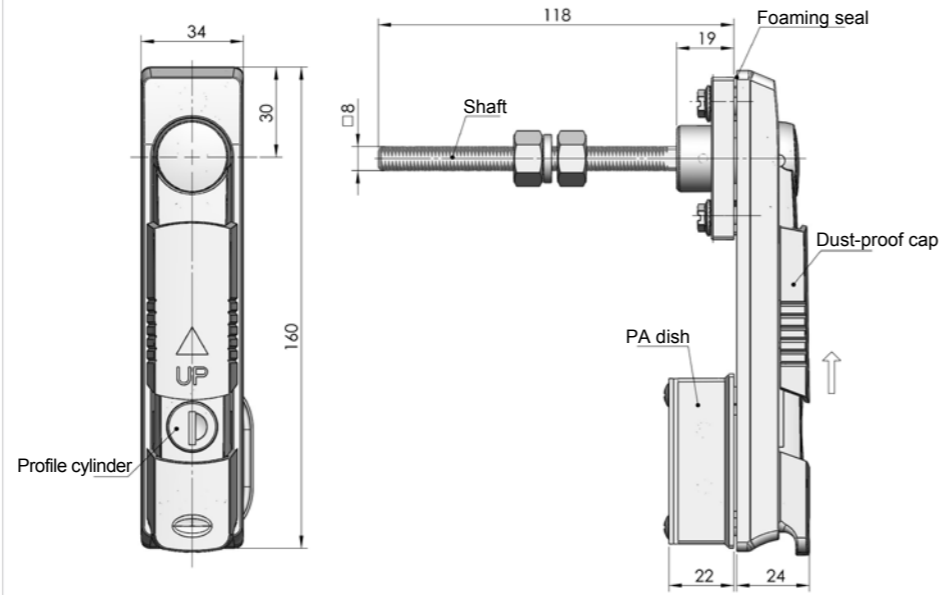
MS848-3



Main material and finish: Pocked black powder coated ZDC handle and housing, ZDC profile cylinder, white zinc-plated steel cam and rod

Application: 90 degree handle rotation combines with rod latch to open or close

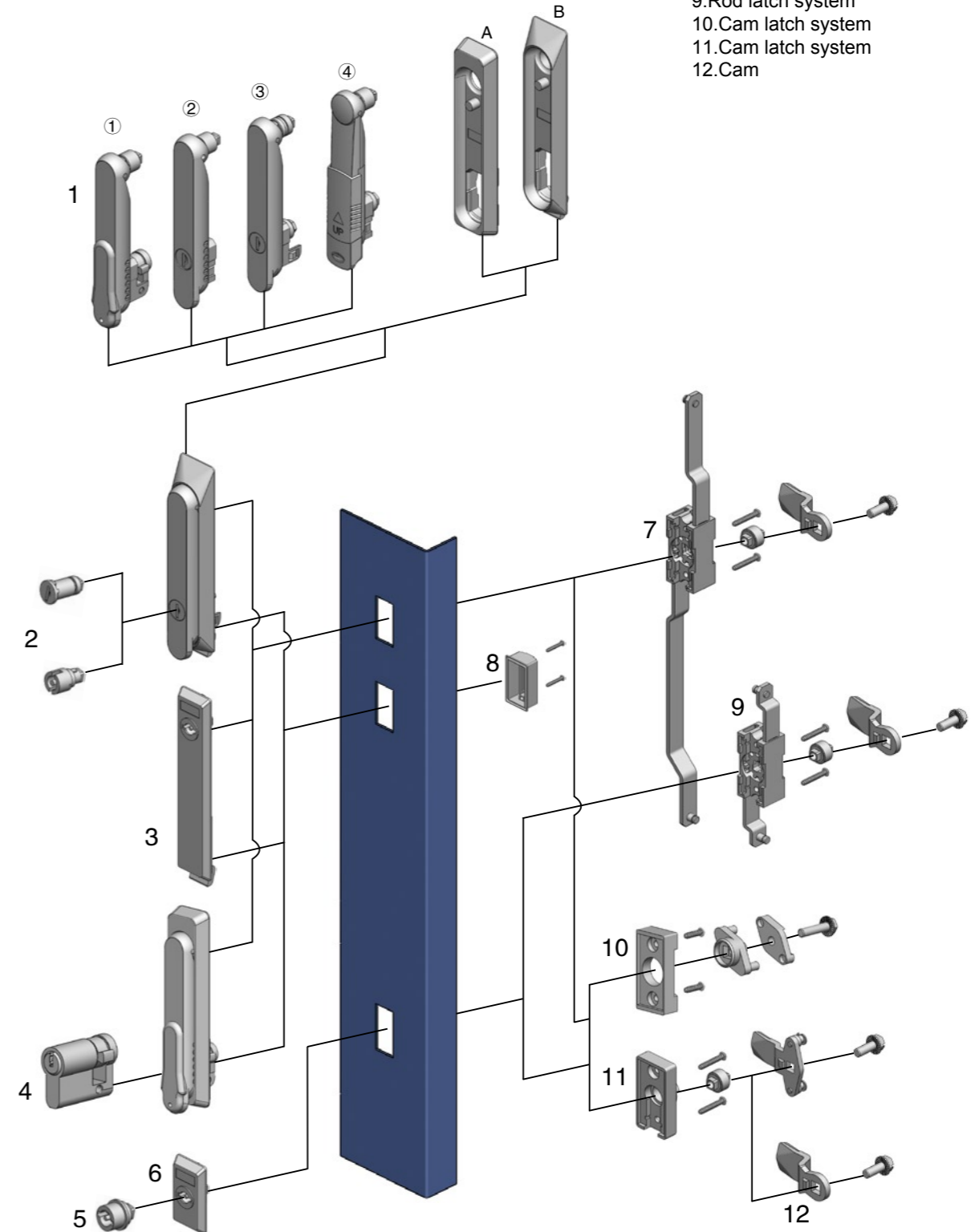
Remarks: Default profile cylinder TC01, default key K140



Remarks: Default cam S1B4507, H=19+7, default Key K140. Cam cutout square 8mm, three-point cam, two-point cam or one-point cam for selection, see detailed cam list on. P007 by adapting the rod latch of MS819,MS835,MS840,MA846 to achieve the same function of MS848-3

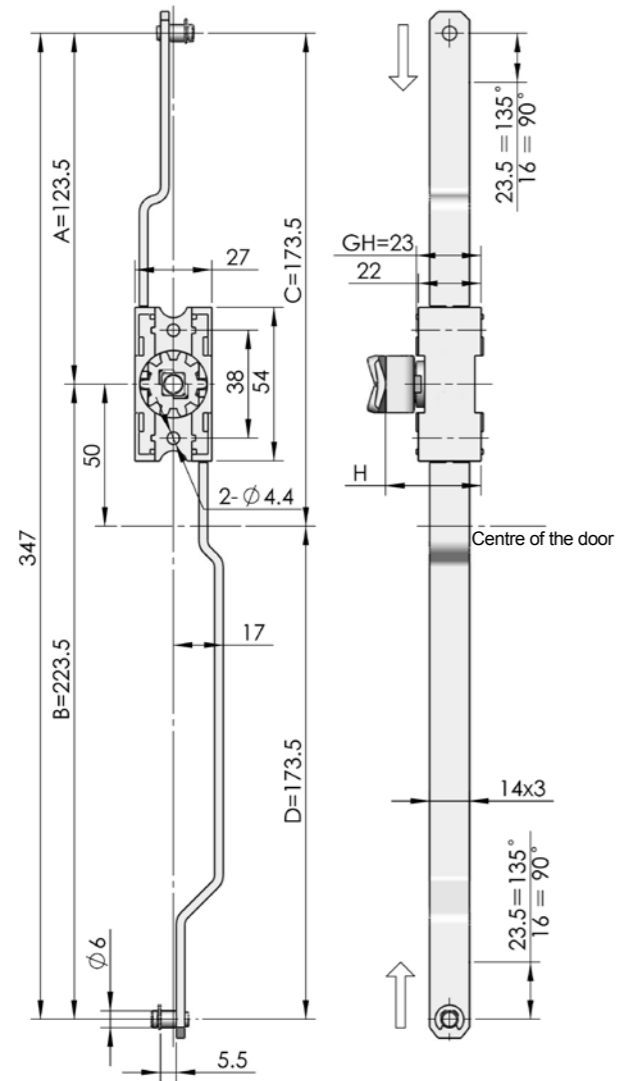
ERP MS848Z1B140003

Combination	Item No	
	Rod latch system	Cam latch system
①A	MS840-1A	MS840-2A
①B	MS840-1D	MS840-2D
②A	MS840-1B	MS840-2B
②B	MS840-1E	MS840-2E
③A	MS840-1F	MS840-2F
③B	MS840-1C	MS840-2C
④A	MS848-1B	MS848-2B
④B	MS848-1C	MS848-2C



- 1.Lock-body
- 2.Insert
- 3.Lock-boby
- 4.Profile cylinder
- 5.Insert
- 6.Lock-body
- 7.Rod latch system
- 8.PA dish
- 9.Rod latch system
- 10.Cam latch system
- 11.Cam latch system
- 12.Cam

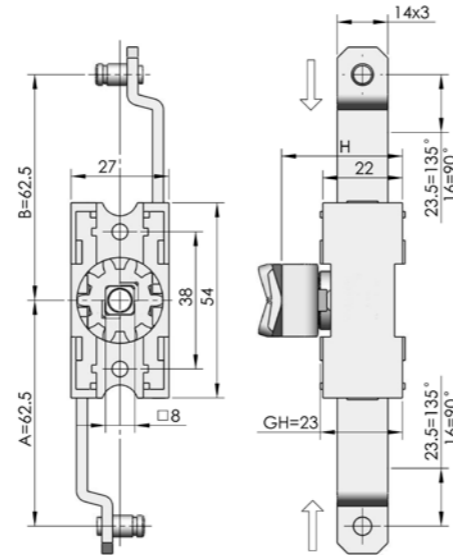
Mb4 Series



Remarks: Default rod latch system, closing position, 135 degree rotation angle, default optional cam S1B3500, cam cutout square 8mm. The rod latch system is used for the seal door-outside

Rod latch system	Dm	Ra	A	B	C	D	Specification
Mb43	23.5	135°	123.5	223.5	173.5	173.5	With cam
Mb44	23.5	135°	123.5	223.5	173.5	173.5	Without cam

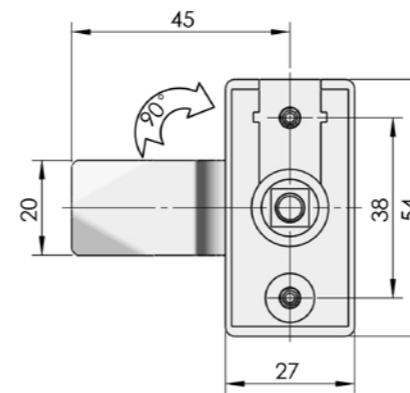
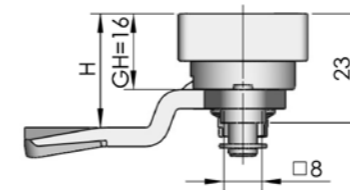
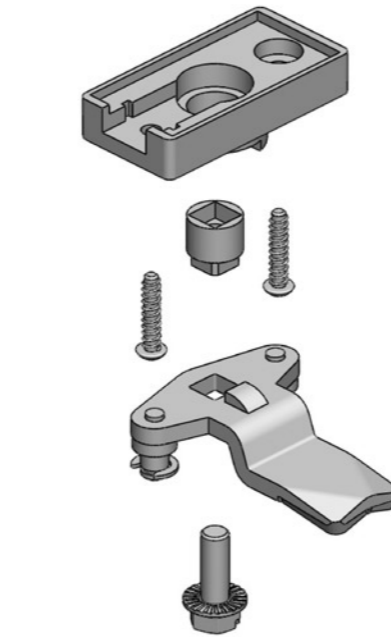
Mb5 Series



Remarks: Default rod latch system, closing position, 135 degree rotation angle, default optional cam S1B3500, cam cutout square 8mm. The rod latch system is used for the seal door-outside

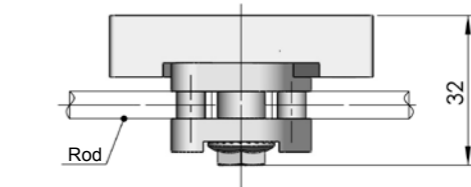
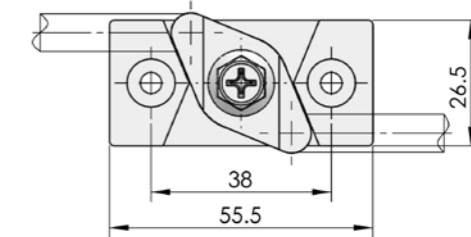
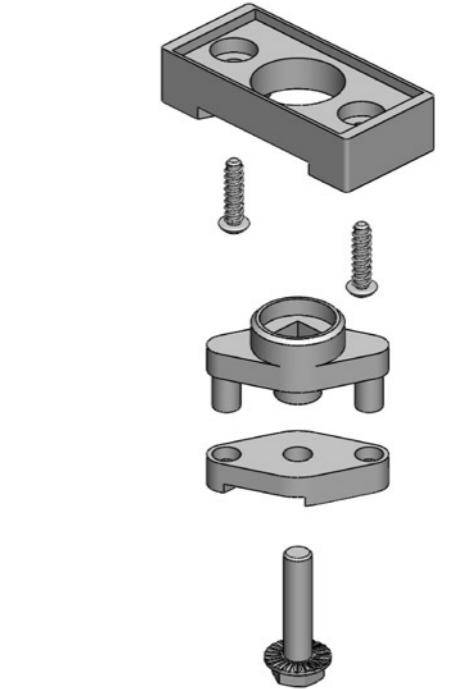
Rod latch system	Dm	Ra	A	B	Specification
Mb51	23.5	135°	62.5	62.5	With cam
Mb52	23.5	135°	62.5	62.5	Without cam

**Mb92-Y
Mb92-Z**

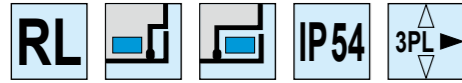


Remarks: Default optional cam S3B4510

Mb94 Series



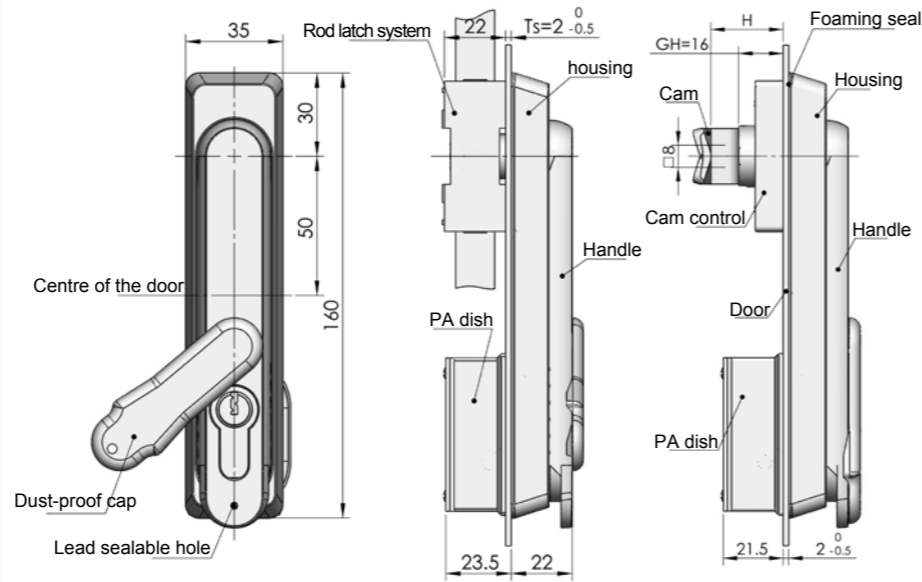
MS840-A



Main material and finish: Black PA handle, housing and dust-proof cap, white zinc-plated steel cam and rod, bright chrome-plated ZDC profile cylinder

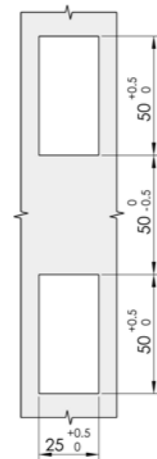
Application: Handle quarter-turn rotation combines with rod latch system to open or close

Remarks: Default profile cylinder TC01, default key K140



MS840-1A

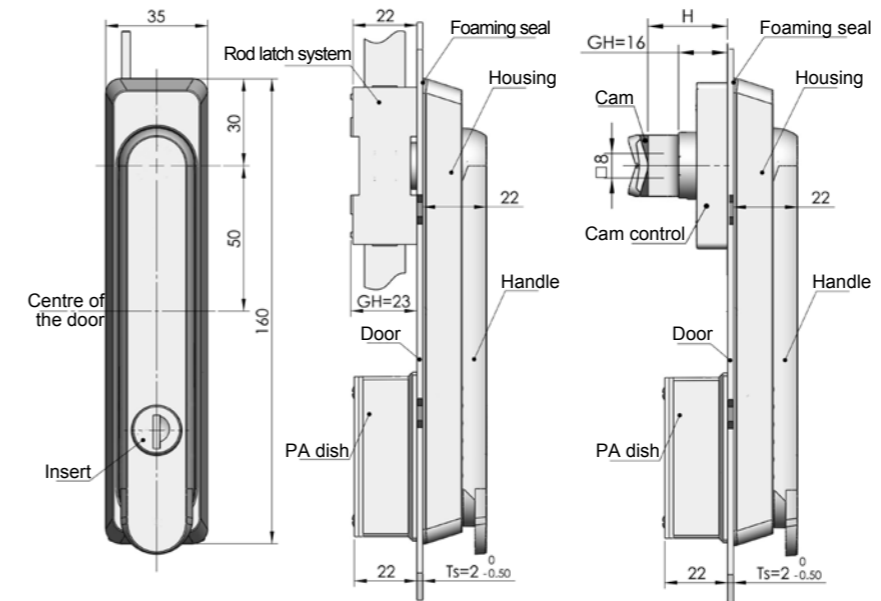
MS840-2A



Cut out

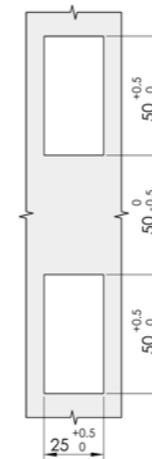
Optional Accessories:
See cam latch system Mb9 series on P157
Rod latch system Mb4 series on P158
TC01/TC02/TC03 profile cylinder on P029

Specification	ERP
Rod latch system with TC series profile cylinder and dust-proof cap	MS840N00140005
Cam latch system with TC series profile cylinder and dust-proof cap	MS840N00140013



MS840-1B

MS840-2B

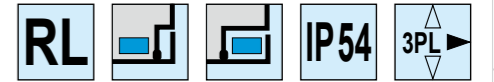


Cut out

Optional Accessories:
See cam latch system Mb9 series on P157
Rod latch system Mb4 series on P169

Specification	ERP
Rod latch system with insert	MS840N00140009
Cam latch system with insert	MS840N00140014

MS840-B

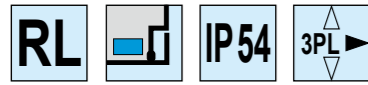


Main material and finish: Black PA housing, handle and dust-proof cap, white zinc-plated steel cam and rod, bright chrome-plated ZDC profile cylinder

Application: Handle quarter-turn combines with rod latch system to open or close

Remarks: Default Key K140

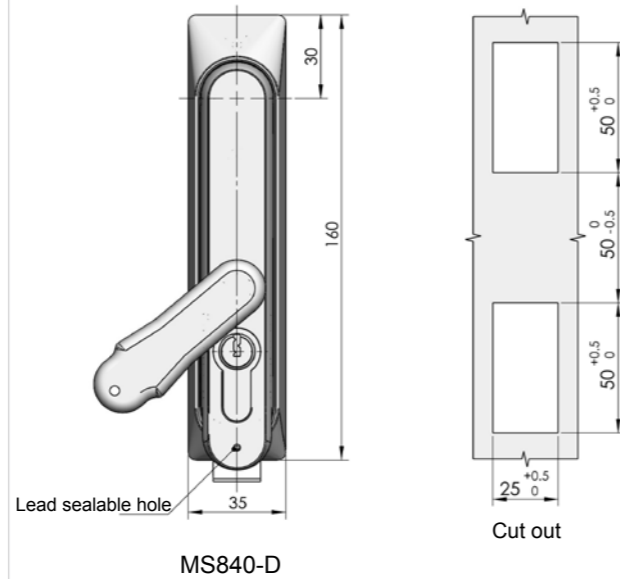
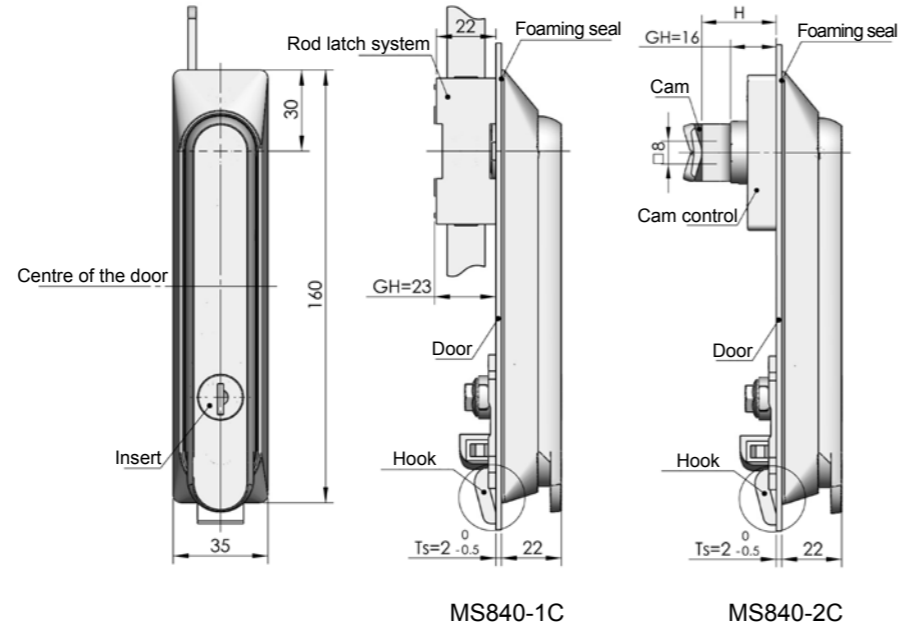
MS840-C



Main material and finish: Black PA handle, housing and dust-proof cap, white zinc-plated steel cam and rod, ZDC profile cylinder

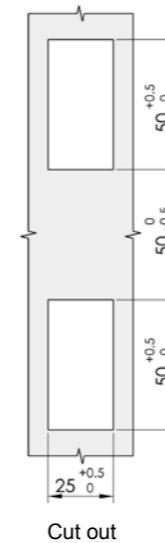
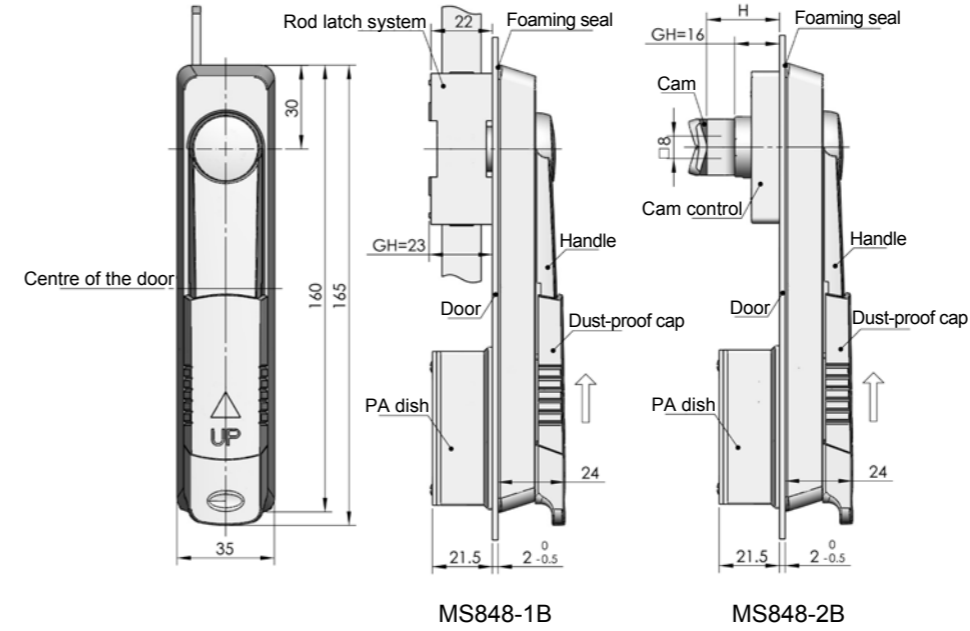
Application: Handle quarter-turn combines with rod latch system to open or close

Remarks: Default Key K140



Optional Accessories:
See cam latch system Mb9 series on P157
Rod latch system Mb4 series on P169

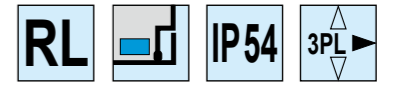
Specification	MS840-C	MS840-D
Rod latch system	MS840N00140011	MS840N00140021
Cam latch system	MS840N00140015	MS840N00140022



Optional Accessories: See cam latch system Mb9 series on P157, rod latch system Mb4 series on P169

ERP	MS848N00140002
-----	----------------

MS848-B

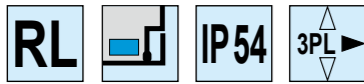


Main material and finish: Black PA handle, housing and dust-proof cap, white zinc-plated steel cam and rod, ZDC profile cylinder

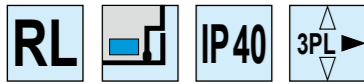
Application: Handle quarter-turn combines with rod latch system to open or close

Remarks: Default profile cylinder TC01, default Key K140

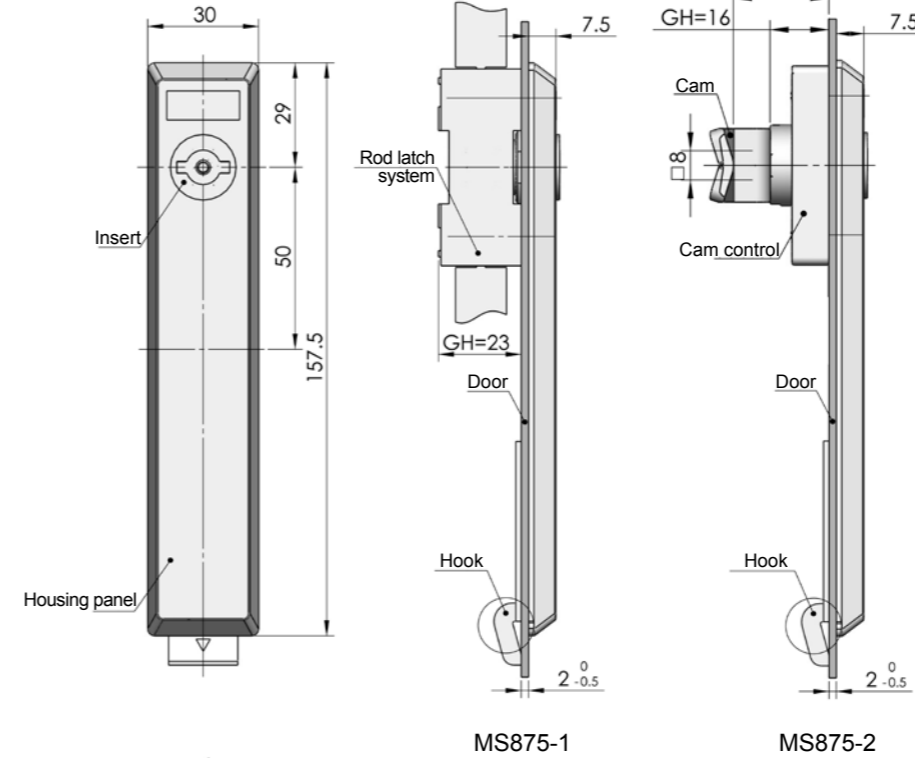
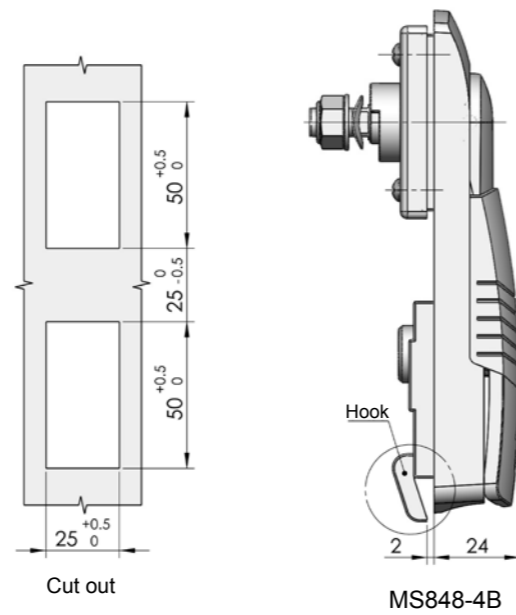
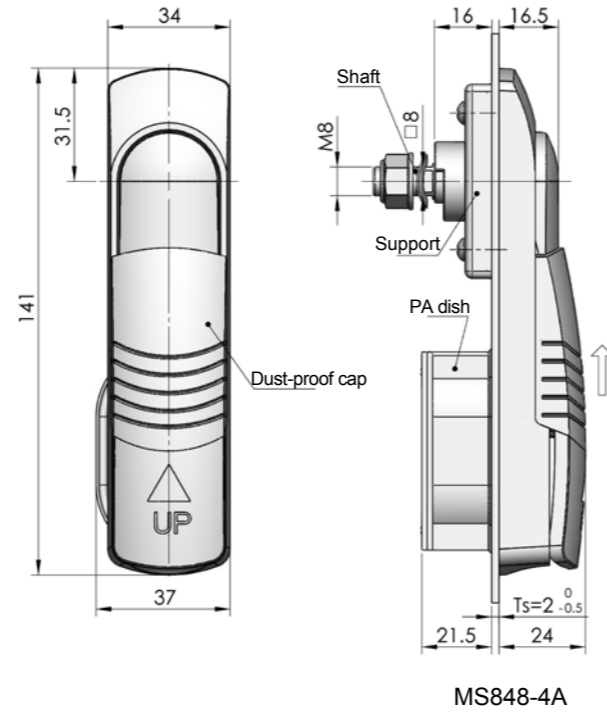
MS848-4A



MS848-4B



Main material and finish: Black PA handle, housing and dust-proof cap, white zinc-plated steel cam and rod, ZDC profile cylinder
Application: Handle quarter-turn combines with rod latch system to open or close
Remarks: Default Key K140



Optional Accessories: See cam latch system Mb9 series on P157, rod latch system Mb4 series on P169



**MS875-1
MS875-2**

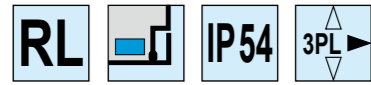


Main material and finish: Black PA panel, steel cam and rod, bright chrome-plated ZDC insert
Application: Insert quarter-turn combines with rod latch system to open or close
Remarks: Default Key K15

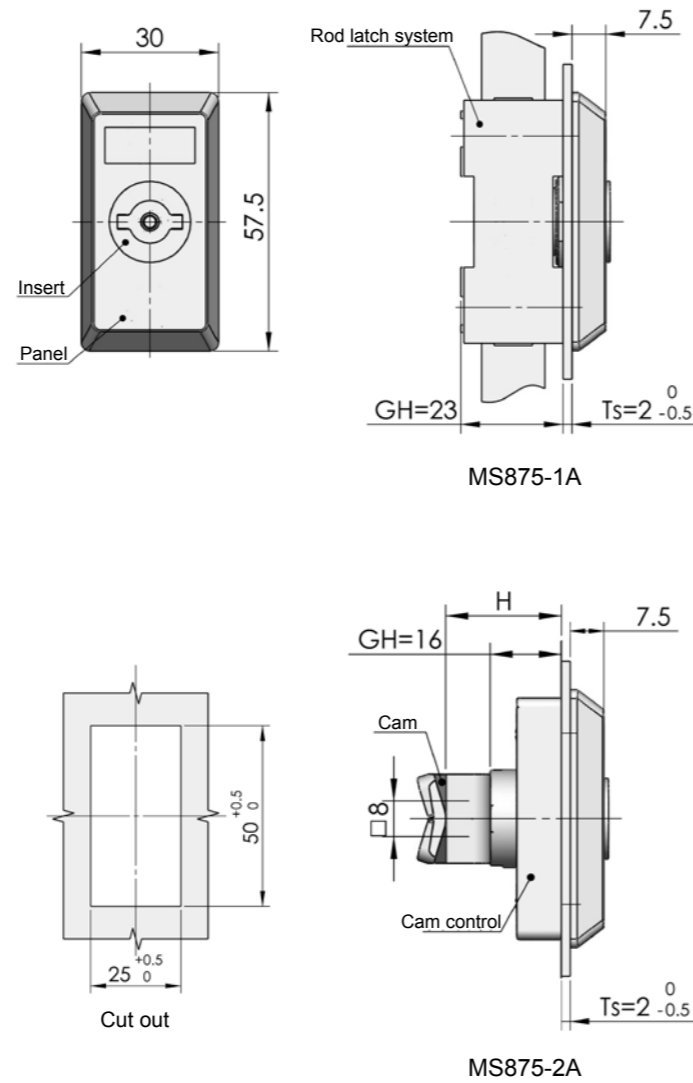
Specification	ERP
PA dish type	MS848N00140006
Hook type	MS848N00140007

Specification	ERP		Optional key
	Rod latch system	Cam latch system	
Double bit	MS875N00T02001	MS875N00T02007	K15-01A K15-01F
Triangular 8mm	MS875N00T04001	MS875N00T04003	K15-03A K15-03F
Square 7mm	MS875N00T06001	MS875N00T06003	K15-06A K15-06F
Square 8mm	MS875N00T07001	MS875N00T07003	K15-04A K15-04F

MS875-1A
MS875-2A



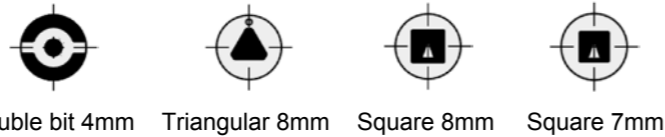
Main material and finish: Black PA panel, bright chrome-plated ZDC insert, white zinc-plated steel cam and rod
Application: Insert quarter-turn combines with rod latch system to open or close
Remarks: Default Key K15 series



Optional Accessories:

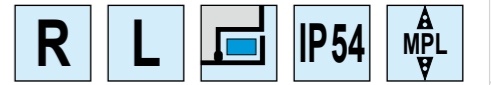
See cam latch system Mb9 series on P157

Rod latch system Mb5 series on P169

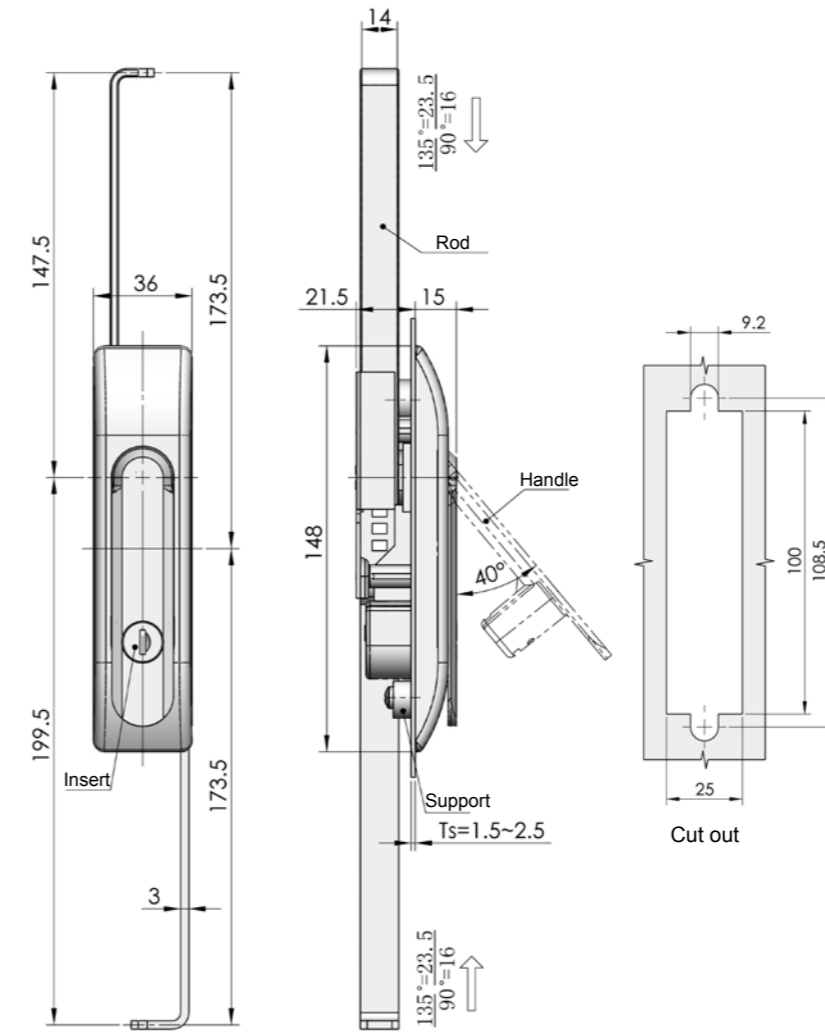


Specification	ERP		Optional key
	Rod latch system	Cam latch system	
Double bit	MS875N00T02006	MS875N00T02008	K15-01A K15-01F
Triangular 8mm	MS875N00T04002	MS875N00T04004	K15-03A K15-03F
Square 7mm	MS875N00T06002	MS875N00T06004	K15-06A K15-06F
Square 8mm	MS875N00T07002	MS875N00T07004	K15-04A K15-04F

MS865

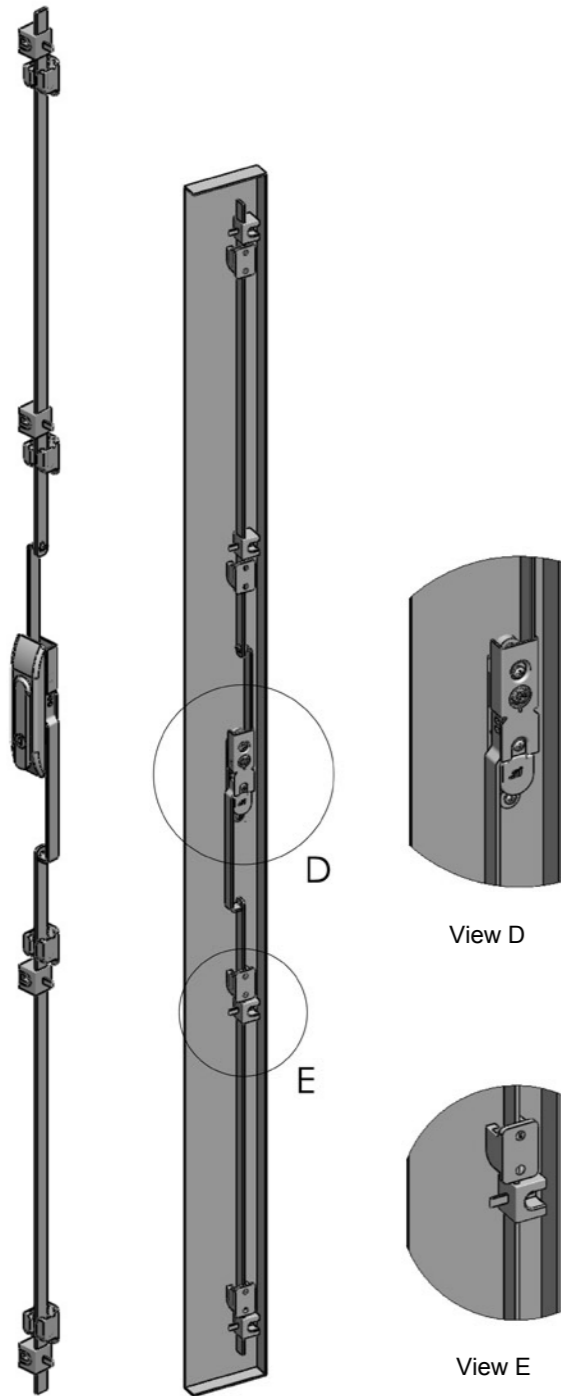


Main material and finish: Black PA housing, pocked black powder coated ZDC handle, white zinc-plated steel rod
Application: Handle quarter-turn combines with rod latch system to open or close
Remarks: Default Key K140



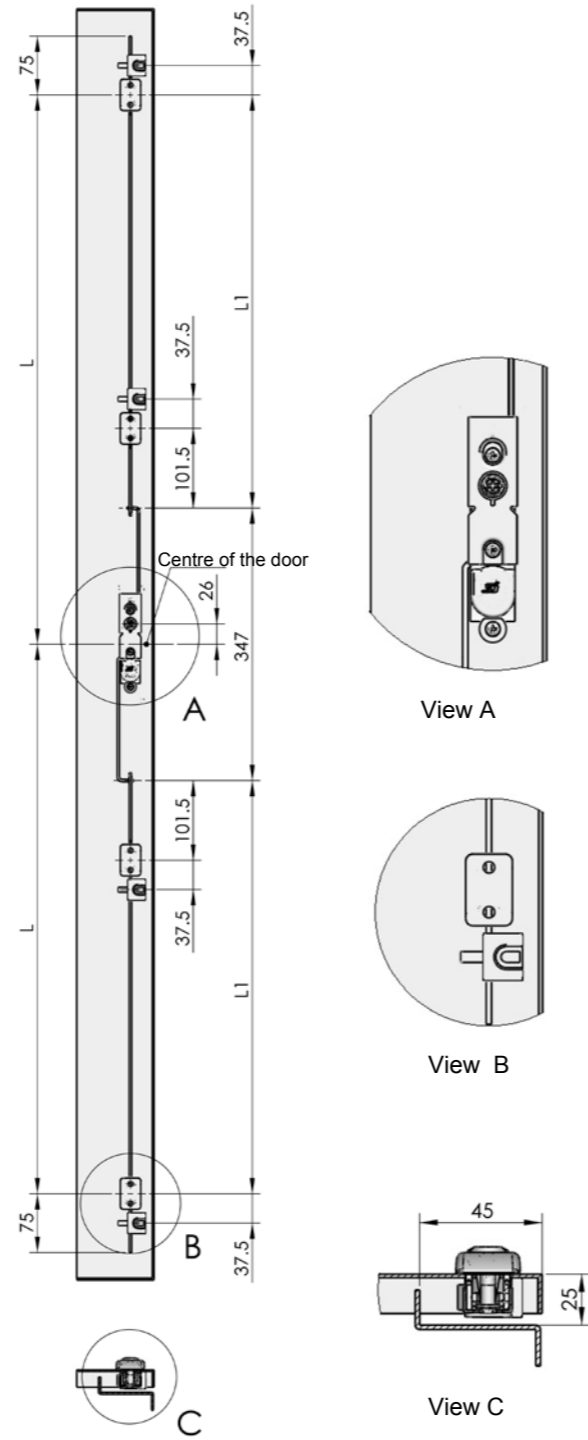
Specification	ERP
PA housing and handle	MS865N00140002
PA housing and pocked black powder coated ZDC handle	MS865N00140001

Mb95 rod latch system



View D

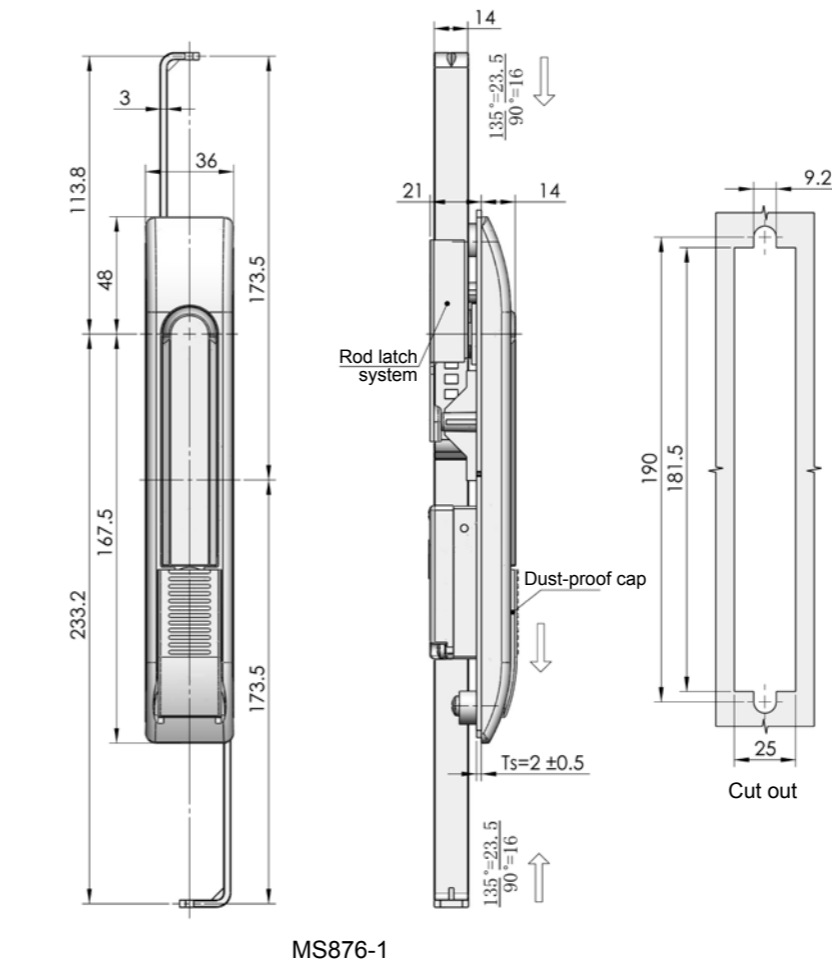
View E



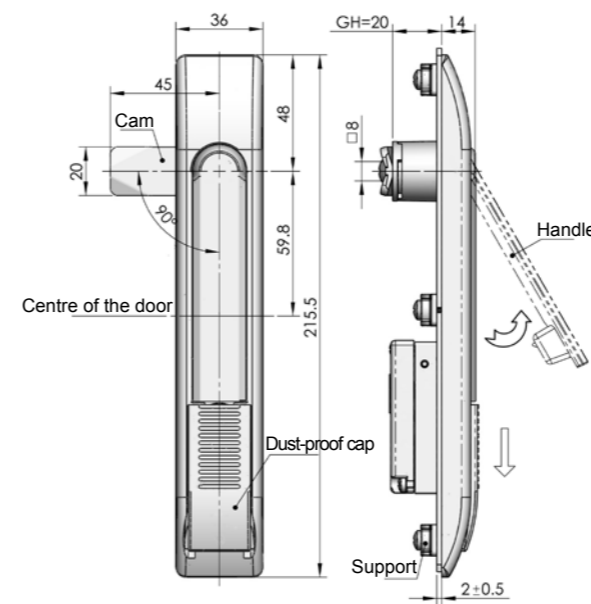
View A

View B

View C



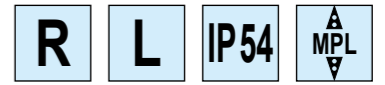
MS876-1



MS876-2

	MS876-1	MS876-2
ERP	MS876N00140001	MS876N00140010

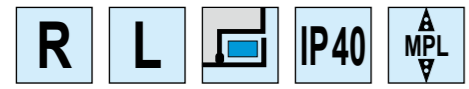
MS876



Main material and finish: Black PA housing, bright chrome plated ZDC handle, white zinc-plated steel rod

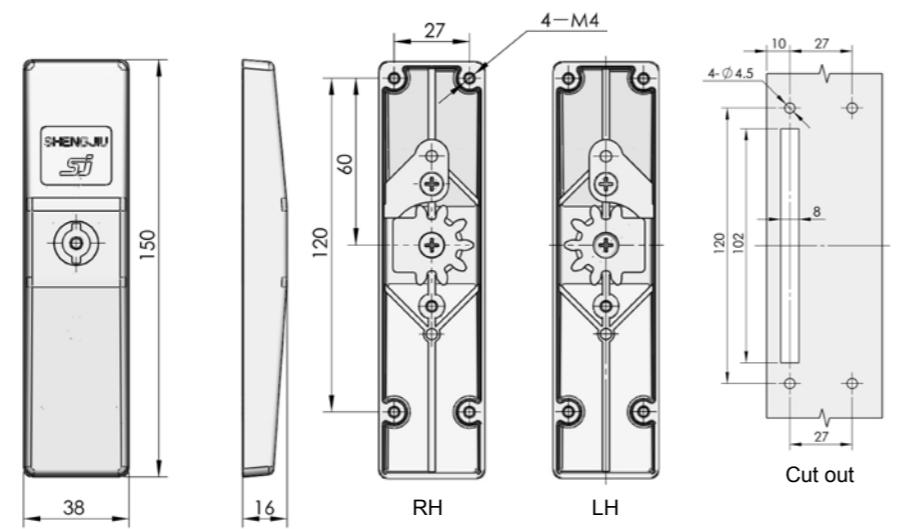
Application: Handle rotation combines with rod latch to open or close

Remarks: Default key K140

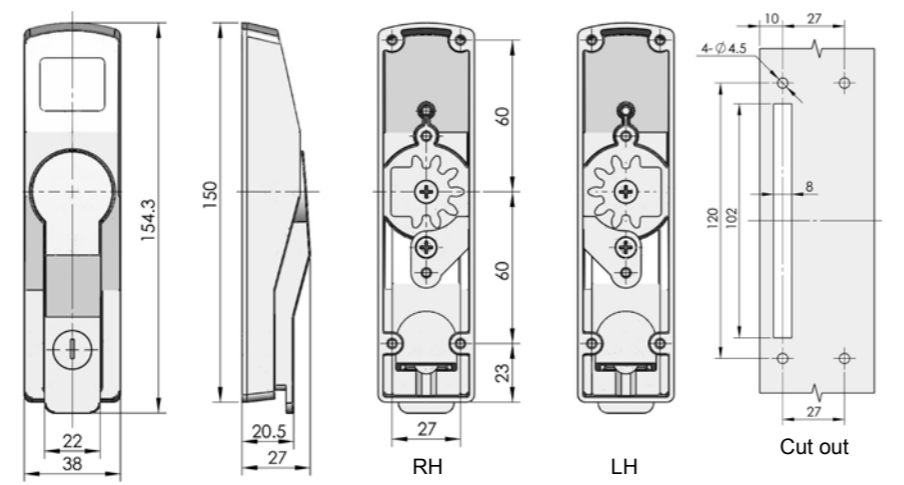


Main material and finish: Black powder coated ZDC handle and housing, ZDC insert

Remarks: Default Key K110

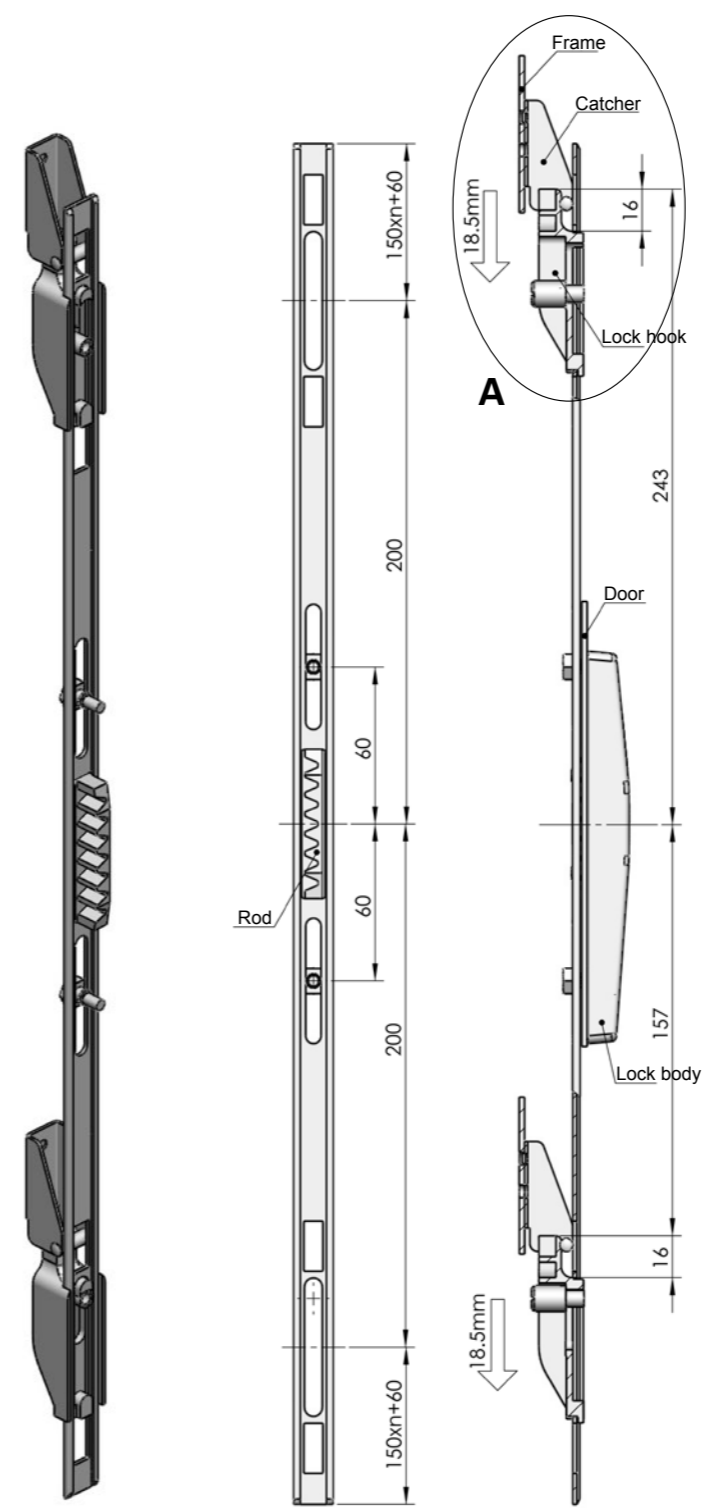


ERP MS851Z1AT01001

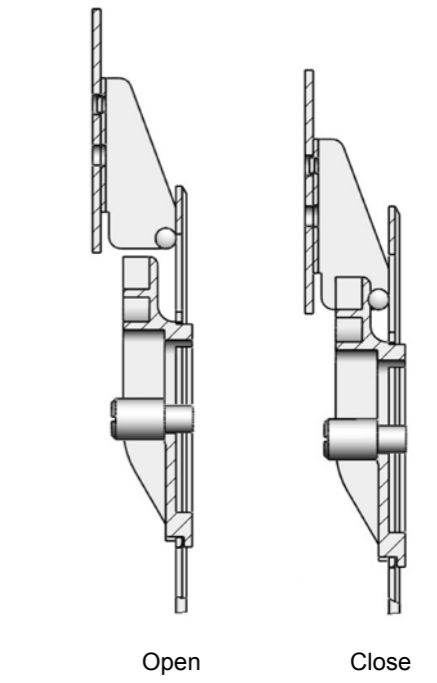


ERP MS852Z1A110001

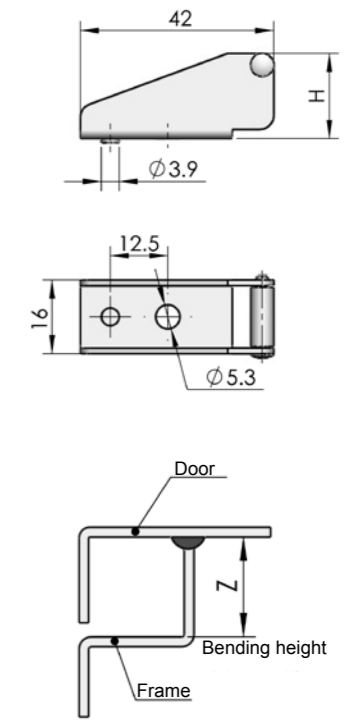
Example of application



Rod accessory

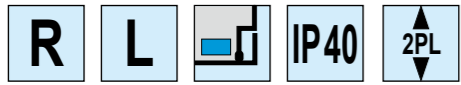


Catcher



Hook No	H	Z
KP1	19	15.5
KP2	20	16.5
KP3	22	18.5
KP4	25	21.5

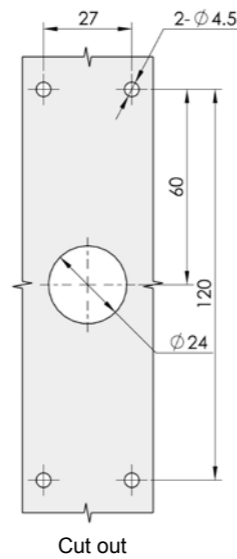
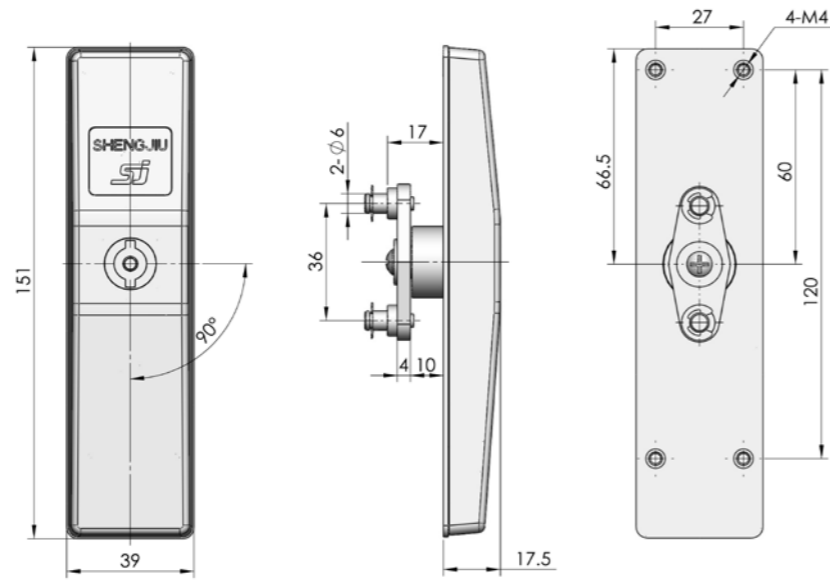
MS851-2



Main material and finish: Black powder coated ZDC housing and insert, white zinc-plated steel cam

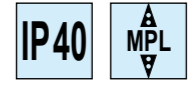
Application: Insert quarter-turn combines with cam to open or close

Remarks: Optional Key K15-01C



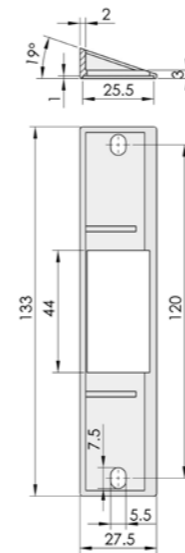
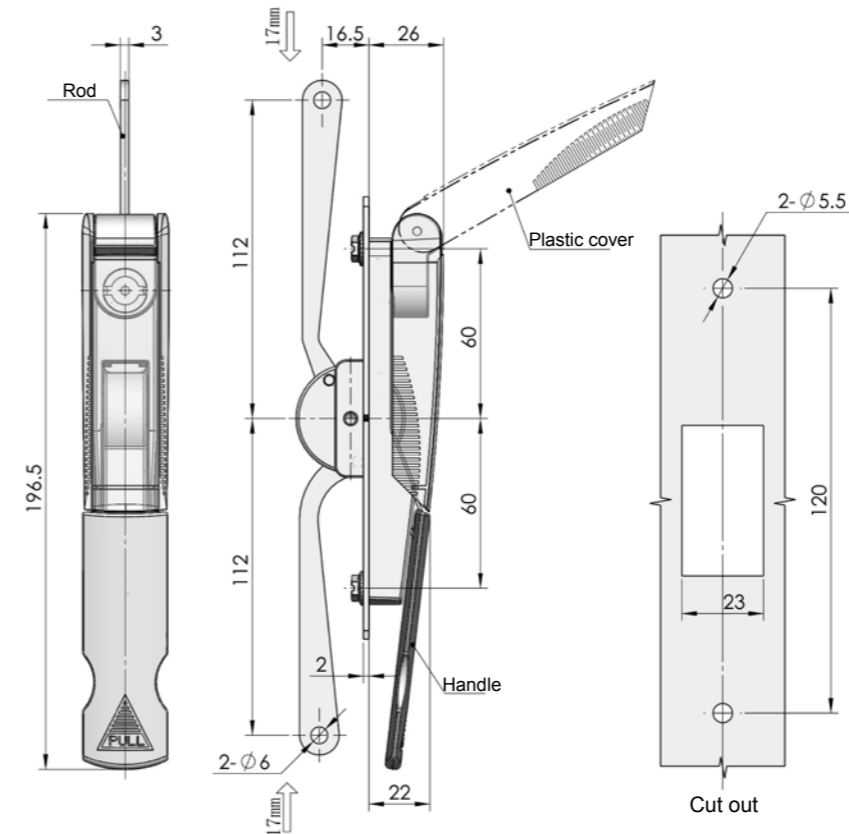
ERP MS851Z1AT01002

MS853



Main material and finish: Blue gray powder coated ZDC handle, housing, ZDC support, white zinc-plated steel rod, PC dust-proof cap

Remarks: Optional Key K15 series or K040



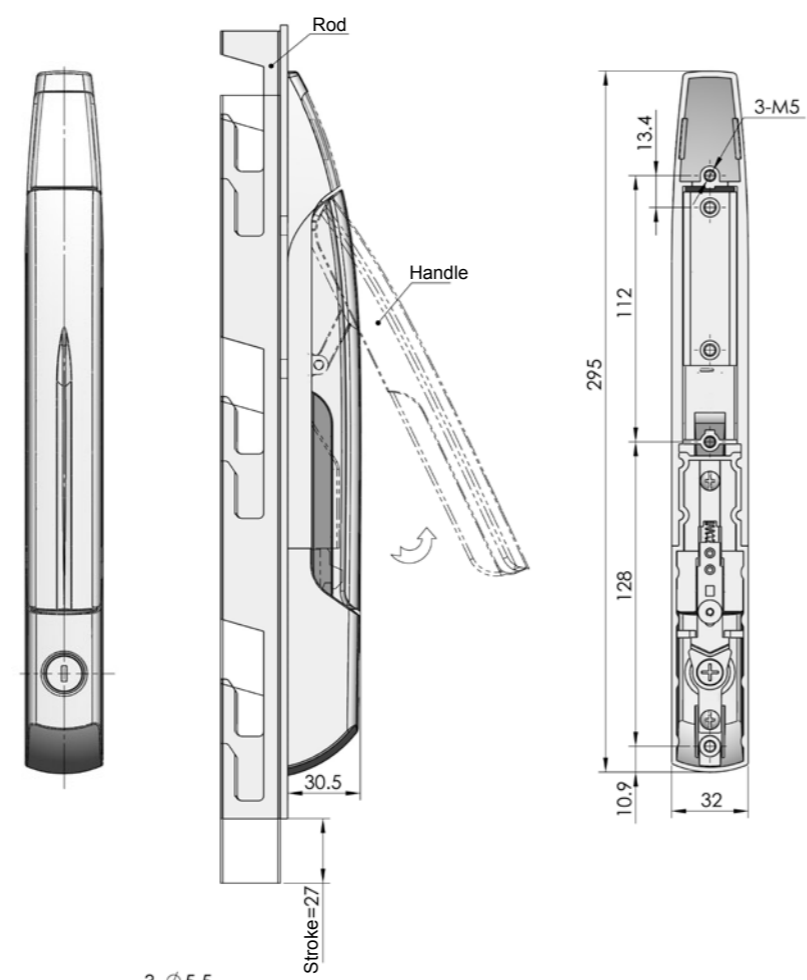
Support (Optional)

Specification	ERP
Double bit	MS853Z1DT01001
Triangular	MS853Z1AT04001
Square 8mm	MS853Z1DT07001
Slot	MS853Z1DT10001
Default Key K04	MS853Z1D04001



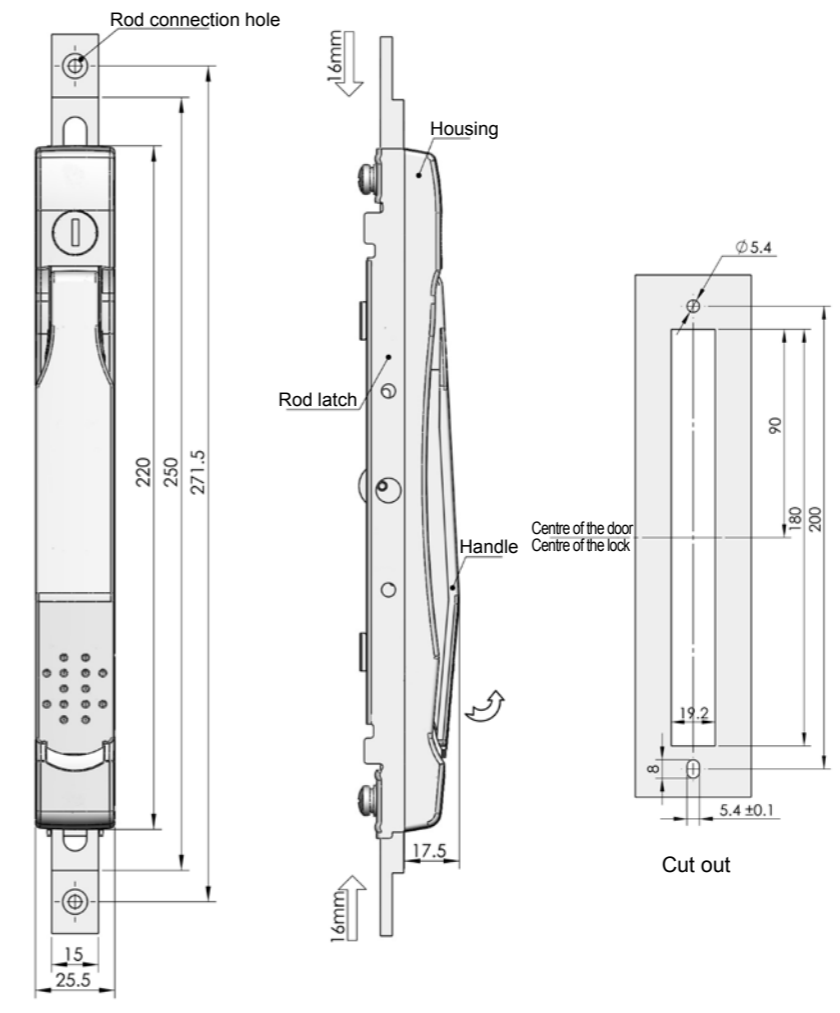
IP40 **MPL**

Main material and finish: Yellow gray powder coated ZDC handle and housing, white zinc-plated ZDC rod
Application: Handle rotation to open or close rapidly, easy assembling
Remarks: Default Key K082



Remark: Generally rod prepared by user as per the frame instruction and lock stroke

ERP MS867Z1E082001



IP40 **MPL**

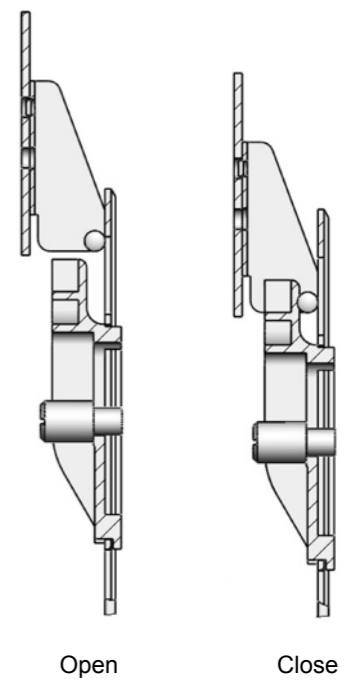
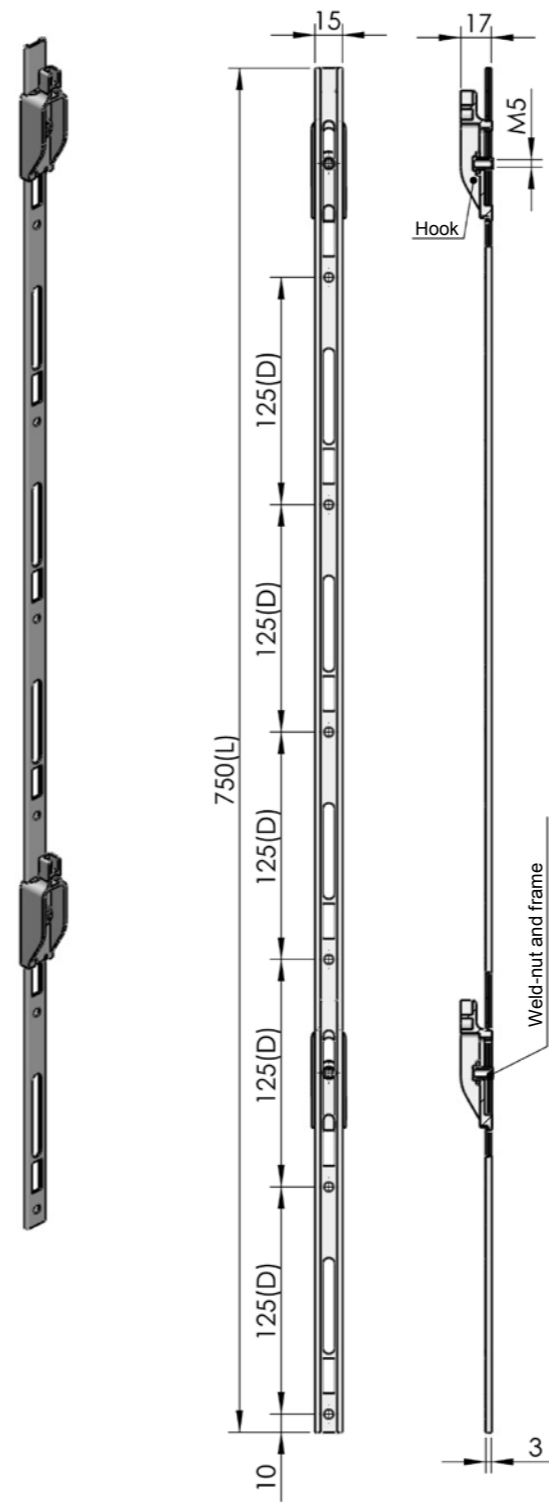
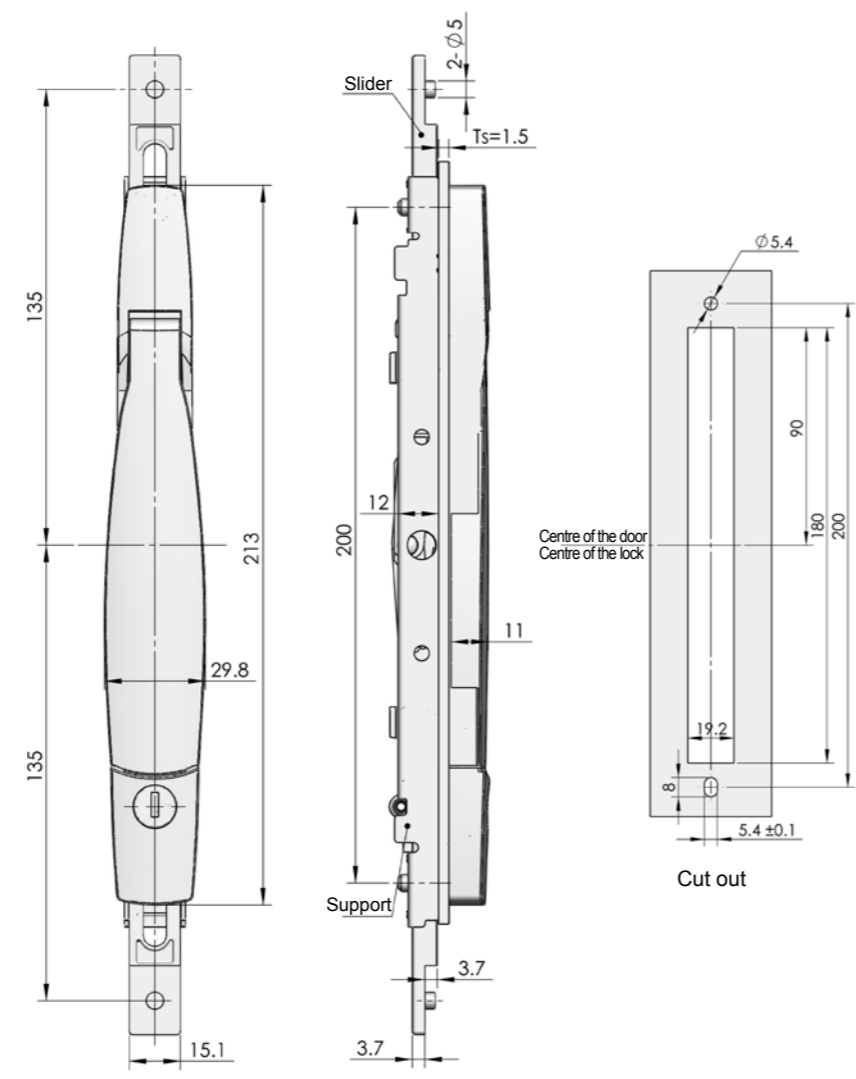
Main material and finish: Pocked black powder coated ZDC handle and housing, white zinc-plated ZDC rod, stainless steel bracket
Remarks: Default Key K170

	Without insert	With insert
ERP	MS855Z1B170001	MS855Z1B170002

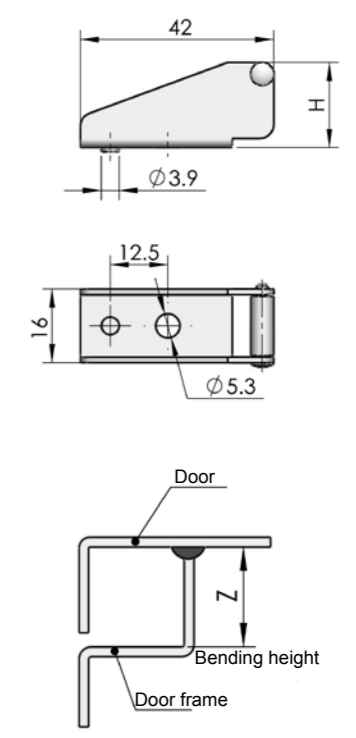


IP40 **MPL**

Main material and finish: Black ABS handle, housing, white zinc-plated ZDC slider, white zinc-plated support
Remarks: Default Key K400



Catcher



Hook No	H	Z
KP1	19	15.5
KP2	20	16.5
KP3	22	18.5
KP4	25	21.5

ERP MS855Z1B400001

