

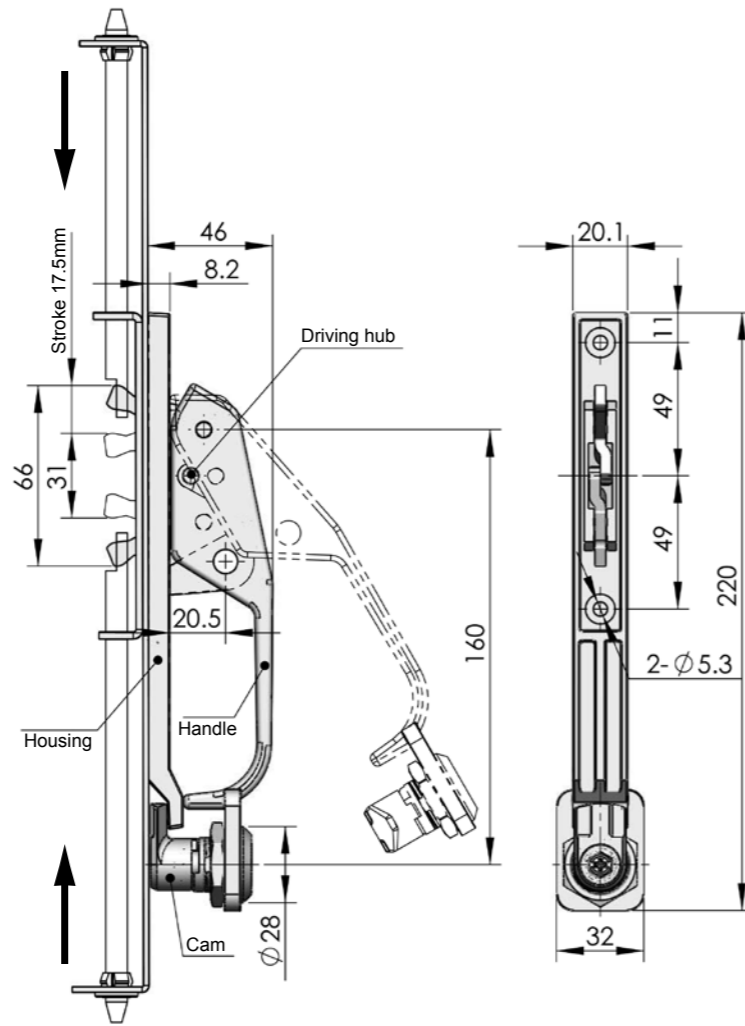
Accessories  
Handle lock  
Cylinder lock  
Electronic lock  
Swing handle  
Rod control lock  
Panel lock  
Toggle and hook  
Handles  
Door stop  
Hinge  
Seal gasket

Accessories  
Handle lock  
Cylinder lock  
Electronic lock  
Swing handle  
Rod control lock  
Panel lock  
Toggle and hook  
Handles  
Door stop  
Hinge  
Seal gasket

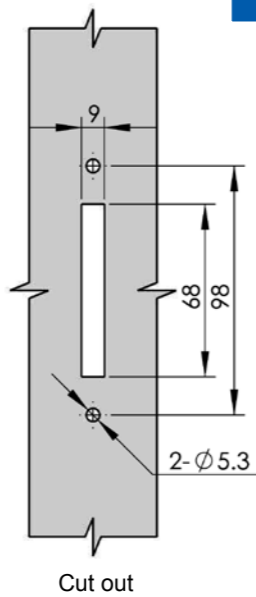
**MS887-3**



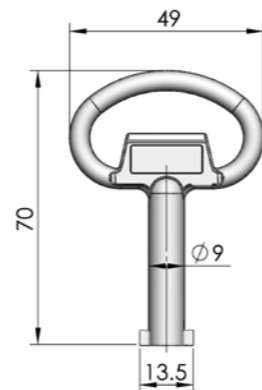
**Main material and finish :** Blue gray (RAL 7012) powder coated ZDC housing, handle and cylinder barrel  
**Application :** Handle combines with latch, rod-latch system on sketch is just for reference, generally prepared by user  
**Remarks :** Optional K15-01C



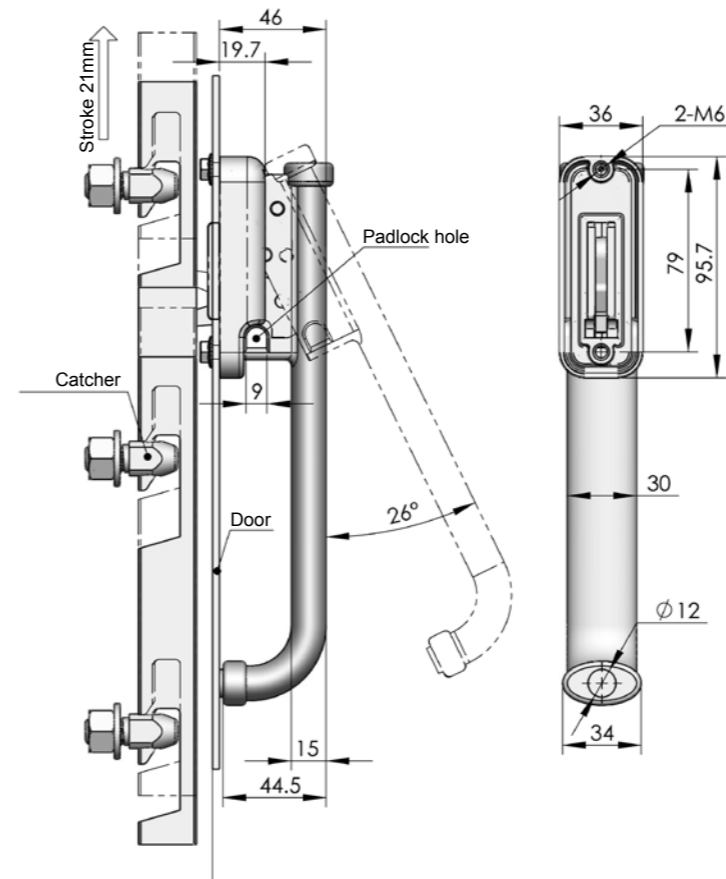
ERP MS887Z1DT02001



**Optional key**

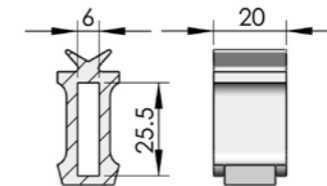


ERP 3290151001



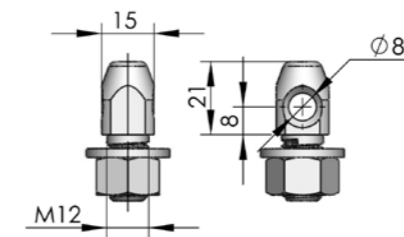
ERP MS887Z1D000001

**PA guider (Optional)**



ERP 3438874001

**Catcher (Optional)**



ERP 3248874001

**MS887-4**



**Main material and finish :** Blue gray (RAL 7012) powder coated ZDC housing, and handle  
**Application :** Handle combines with latch, rod-latch system on sketch is just for reference, generally prepared by user

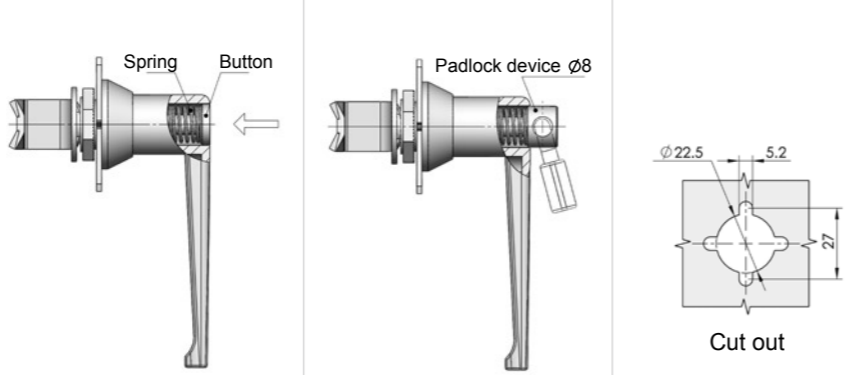
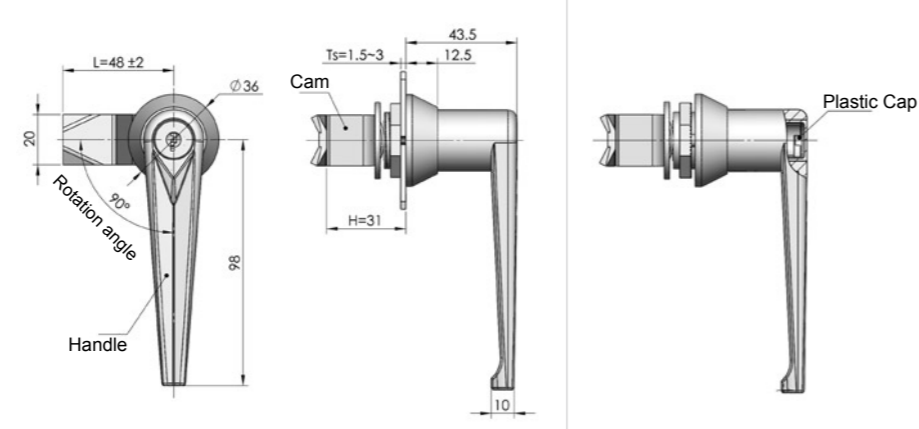
# HANDLE LOCK SERIES

Remarks


 MS301 P037	 MS304 P038	 MS305 P038	 MS306 P039
 MS307 P040	 MS308 P040	 MS310 P041	 MS317 P042
 MS319 P044	 MS320 P043	 MS842 P042	 MS807-1 P045
 MS841 P047	 MS859 P048	 MS868 P049	 MS887-1 P049
 MS887-2 P050	 MS887-3 P051	 MS887-4 P052	

Accessories  
Handle lock  
Cylinder lock  
Electronic lock  
Swing handle  
Rod control lock  
Panel lock  
Toggle and hook  
Handles  
Door stop  
Hinge  
Seal gasket

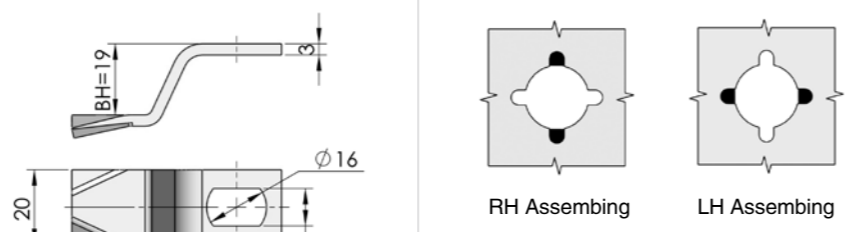
**MS301**  
**MS302**



**RL**

**Main material and finish :** Bright chrome-plated ZDC handle and housing, white zinc-plated steel cam, bright chrome-plated button and shaft  
**Application :** Quarter-turn opening or closing  
**Remarks :** Default Key K050  
**Default cam :** S1H48Y19002

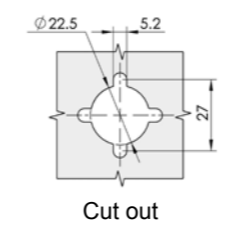
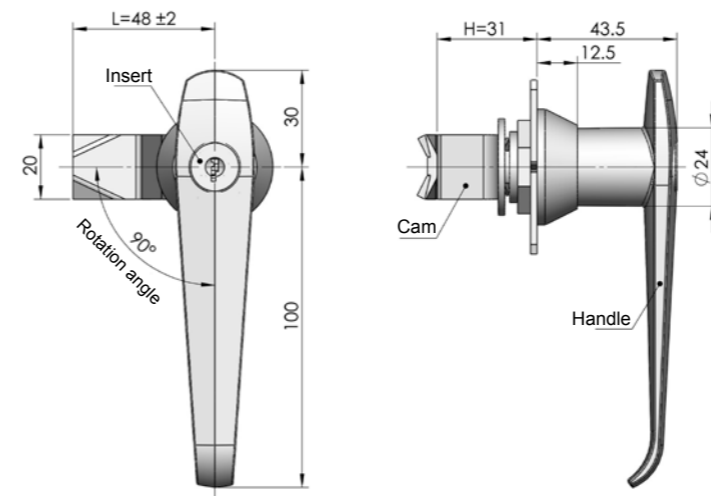
**Cam S1H4819 (Optional)**



**Remarks:** shadow parts shows mounting hole allocation between housing and door panel

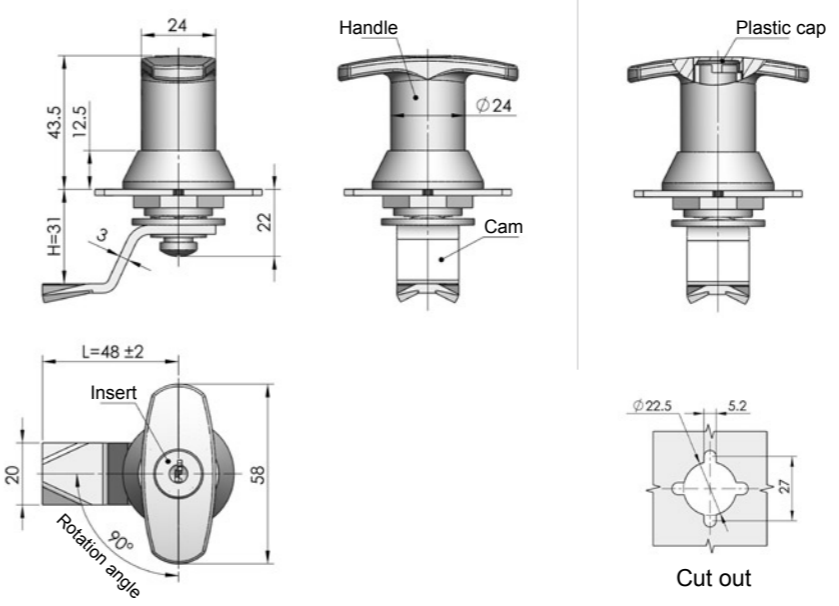
Specification	ERP
With insert	MS301Z3A050002
Without insert	MS301Z3A000001
With button	MS302Z3A000001
With padlock device	MS302Z3A000003

Remarks : ERP excludes cam



Remarks : RH, LH, and cam selection refer to MS301 on catalogue

**ERP** MS304Z3A050001  
Remarks : ERP excludes cam



Remarks : RH, LH, and cam selection refer to MS301 on catalogue

ERP	With insert	Without insert
ERP	MS305Z3A050001	MS305Z3A000001

Remarks : ERP excludes cam

**MS304**



**RL**

**Main material and finish :** Bright chrome-plated ZDC handle and housing, white zinc-plated steel cam  
**Application :** Quarter -turn opening or closing  
**Remarks :** Default Key K050  
**Default cam :** S1H48Y19002

**MS305**

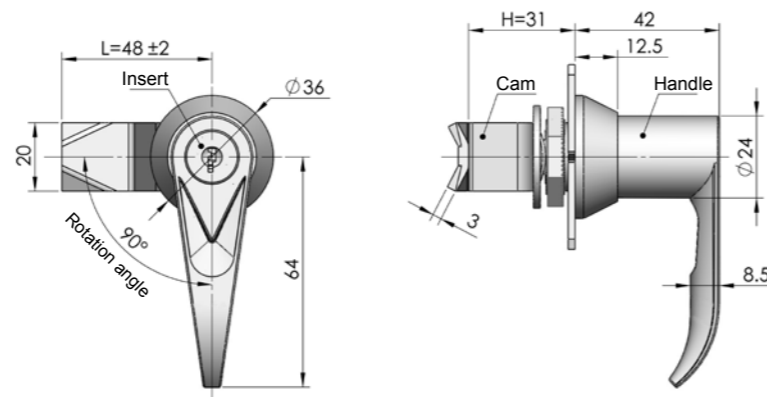


**RL**

**Main Material and finish :** Bright chrome-plated ZDC handle and housing, white zinc-plated steel cam  
**Application :** Quarter -turn opening or closing  
**Remarks :** Default key K050  
**Default cam :** S1H48Y19002



**MS306**



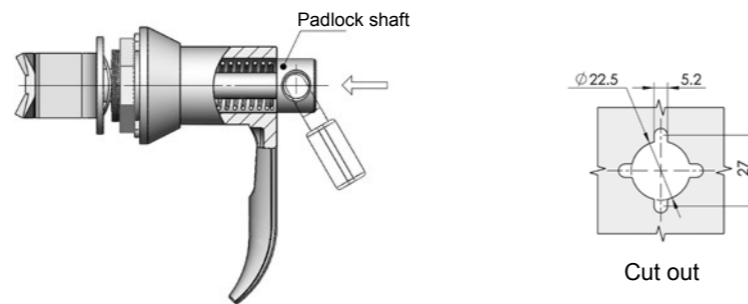
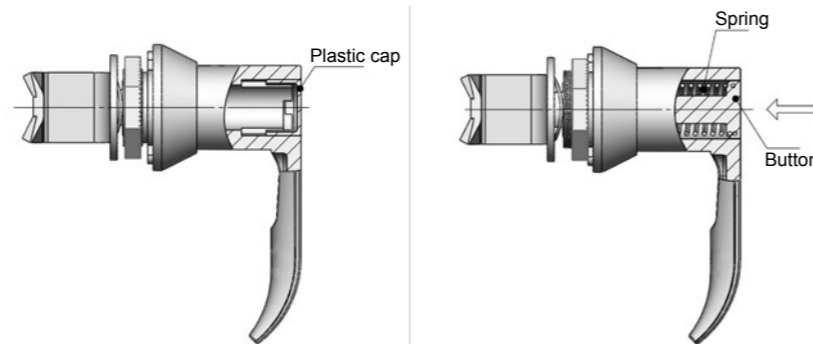
**RL**

**Material and finish :** Bright chrome-plated ZDC handle and housing, white zinc-plated steel cam, bright chrome plated steel button and shaft

**Application :** Quarter-turn opening or closing

**Remarks :** Default key K050

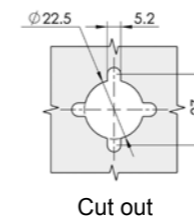
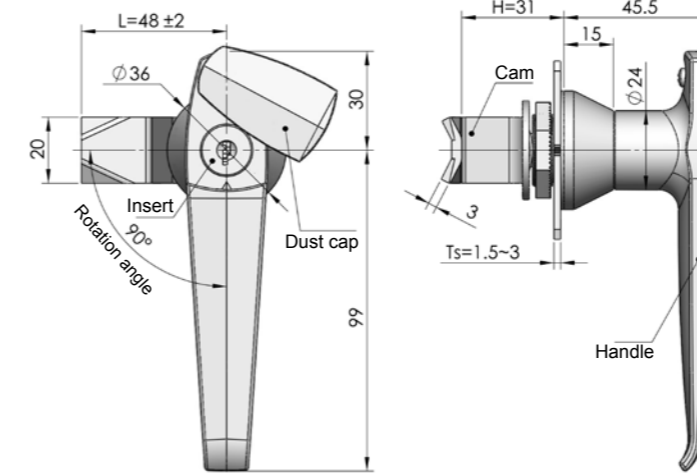
**Default cam :** S1H48Y19002



**Remarks :** RH ,LH changes and cam selection refer to MS301 on catalogue

Specification	ERP
With insert	MS306Z3A050001
Without insert	MS306Z3A000001
With button	MS306Z3A000002
With padlock device	MS306Z3A000003

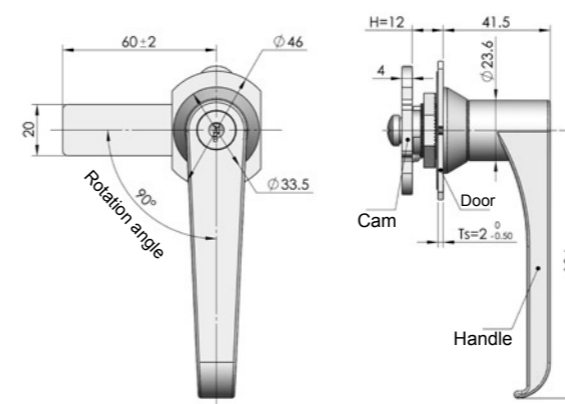
Remarks : ERP excludes cam



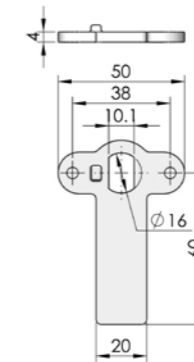
**Remarks :** RH,LH, and cam selection please refer to MS301 on catalogue

**ERP** MS307Z3A050001

Remarks : ERP excludes cam



**Cam (Optional)**



**ERP** S3H60Y00001

**Remarks :** Default specification RH

**ERP** MS308Z3A250002

Remarks : ERP excludes cam

**MS307**



**RL IP54**

**Main material and finish :** Bright chrome-plated ZDC handle and housing, white zinc-plated steel cam

**Remarks :** Default key K050

**Default cam :** S1H48Y19002

**MS308**



**R**

**Main material and finish :** Bright chrome-plated ZDC handle and housing, white zinc-plated steel cam

**Application :** Quarter-turn opening or closing

**Remarks :** Default key K250

Accessories  
Handle lock  
Cylinder lock  
Electronic lock  
Swing handle  
Rod control lock  
Panel lock  
Toggle and hook  
Handles  
Door stop  
Hinge  
Seal gasket

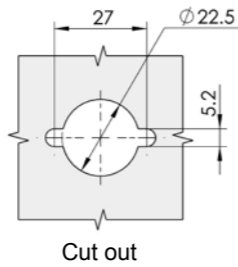
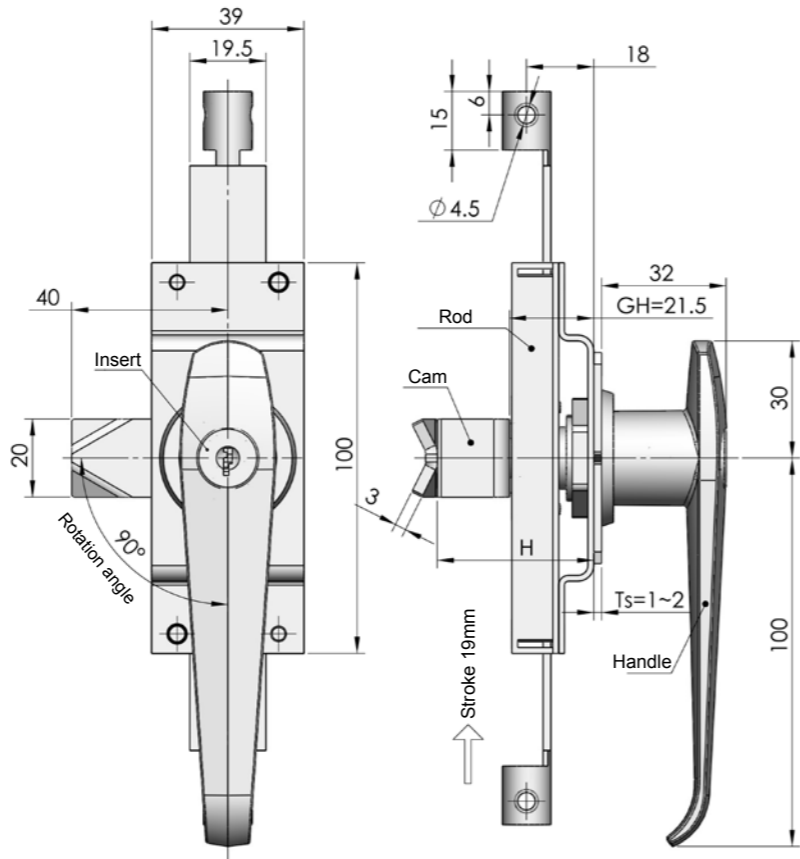
**MS310**



**RL**

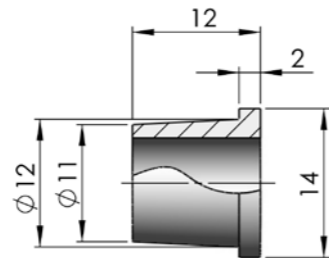
**Main material and finish :** Bright chrome-plated ZDC handle and housing, white zinc-plated steel cam and rod drive mechanism  
**Application :** Quarter-turn opening or closing, combining with rod drive mechanism and cam  
**Remarks :** Default key K050

**Default cam :** S1C42Y24001



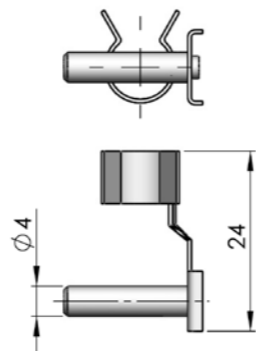
**ERP** MS310Z3A050002  
Remarks : ERP excludes cam

**Plastic cover (Optional)**

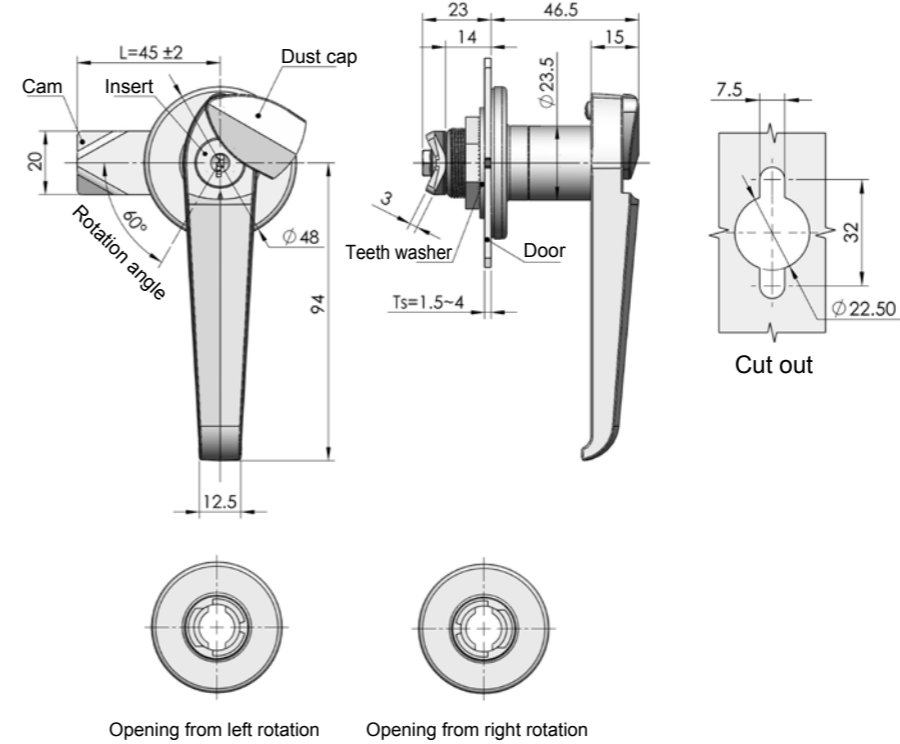


**ERP** 3593100001

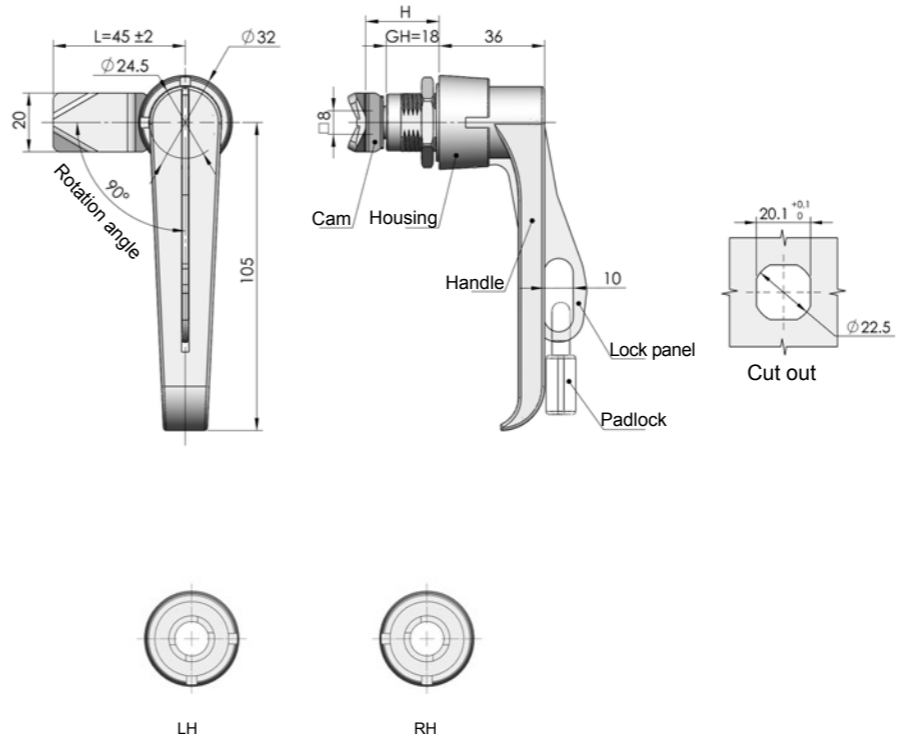
**Rod fixing set (Optional)**



**ERP** 3433100001



**ERP** MS317Z3A050001  
Remarks : ERP excludes cam



ERP	ZDC	Stainless steel
ERP	MS842Z1B000001	MS842S4B000001

Remarks : ERP excludes cam ( cam selection refer to S1B cam list on P007 )

**MS317**



**RL IP54**

**Main material and finish :** Bright chrome-plated ZDC handle, housing and insert, white zinc-plated steel cam, teeth washer  
**Application :** 60 degree rotation opening or closing  
**Remarks :** Default key K050

**Default cam :** S1B45Y00002

**MS842**



**RL IP54**

**Main material and finish :** black pocked coated ZDC handle and housing, white zinc-plated steel cam, stainless steel lock panel or whole stainless steel for selection  
**Application :** Quarter-turn opening or closing, padlockable

Accessories  
Handle lock  
Cylinder lock  
Electronic lock  
Swing handle  
Rod control lock  
Panel lock  
Toggle and hook  
Handles  
Door stop  
Hinge  
Seal gasket

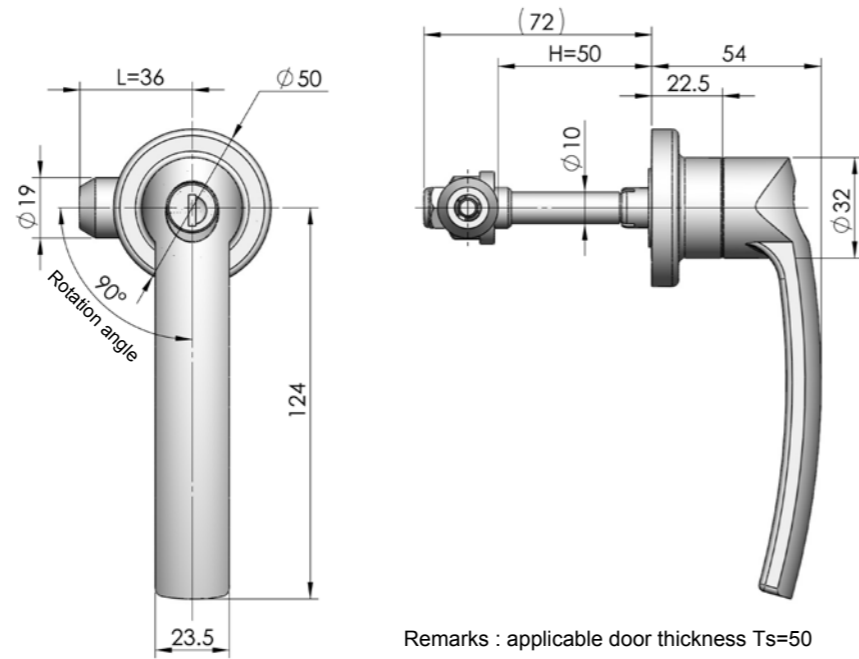
Accessories  
Handle lock  
Cylinder lock  
Electronic lock  
Swing handle  
Rod control lock  
Panel lock  
Toggle and hook  
Handles  
Door stop  
Hinge  
Seal gasket

**MS320**



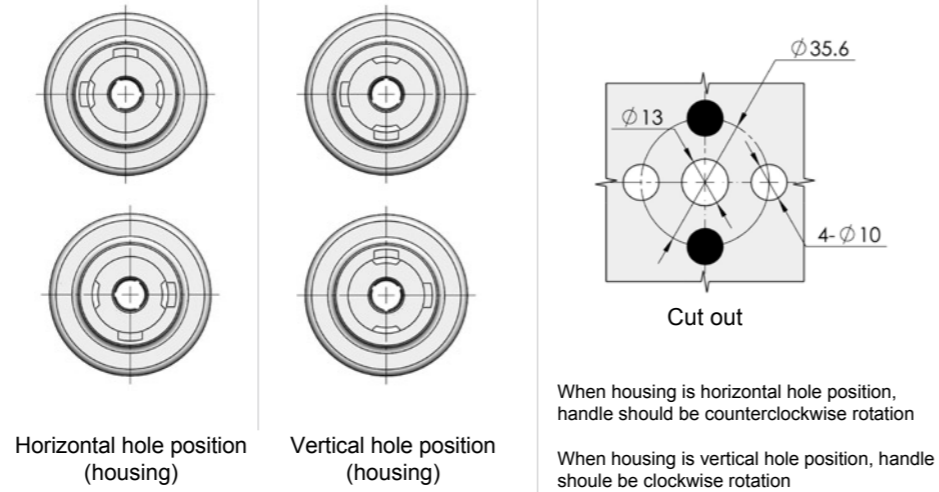
**RL**

**Main material and finish :** PA handle and housing, white zinc-plated steel shaft  
**Application :** Quarter-turn opening or closing  
**Remarks :** Default key K160



Remarks : applicable door thickness Ts=50

**Installation Method**



ERP

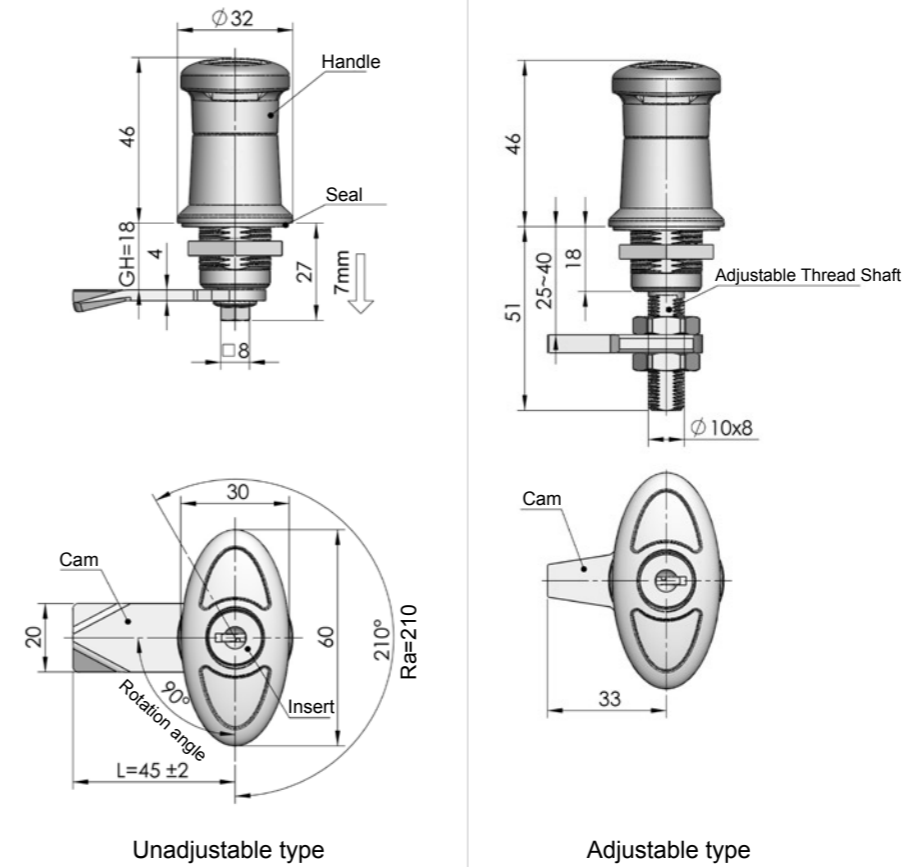
MS320N00160001

**MS319**



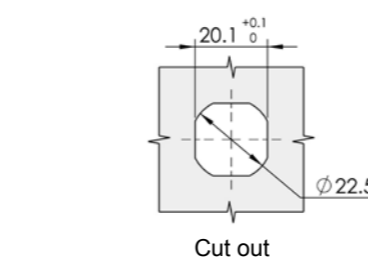
**Main material :** Nanometer-plated ZDC handle and housing, white zinc-plated steel shaft and cam  
**Application :** 210 degree handle rotation combines with 90 degree cam rotation  
**Remarks :** Default key K280

**Default cam :** S1B45Y00002(Unadjustable)  
 S1M33Y00002(Adjustable)



Unadjustable type

Adjustable type



Cut out

Specification	ERP
Unadjustable type with insert	MS319Z2B280001
Unadjustable type without insert	MS319Z2B000001
Adjustable type with insert	MS319Z2B280002
Adjustable type without insert	MS319Z2B000002

Remarks : ERP excludes cam

Accessories  
Handle lock  
Cylinder lock  
Electronic lock  
Swing handle  
Rod control lock  
Panel lock  
Toggle and hook  
Handles  
Door stop  
Hinge  
Seal gasket



MS807-1



MS807-2



MS807-3



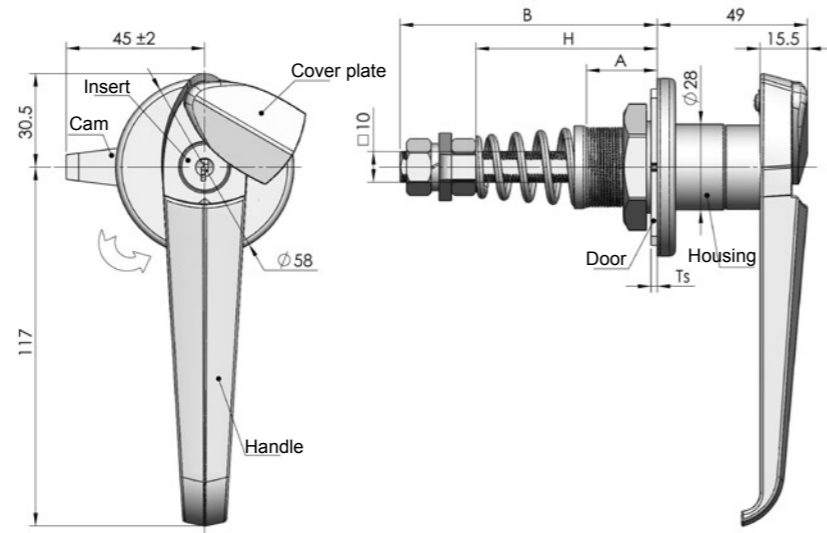
**R** **L** **IP54**

**Main material and finish :** Bright chrome-plated ZDC handle, housing, insert and dust-tight cap, white Zinc-plated steel cam, teeth washer, and shaft

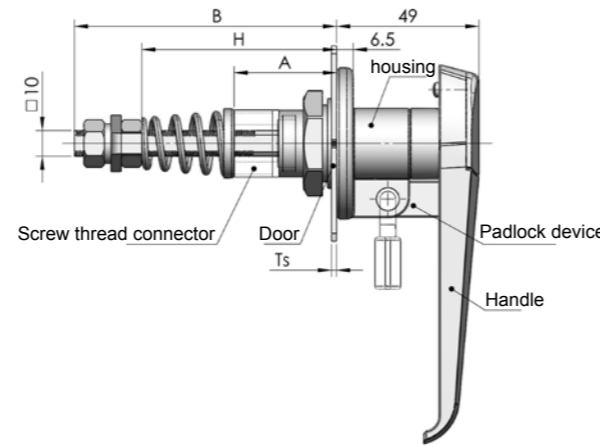
**Application :** Cam adjustable

**Remarks :** Default key K050

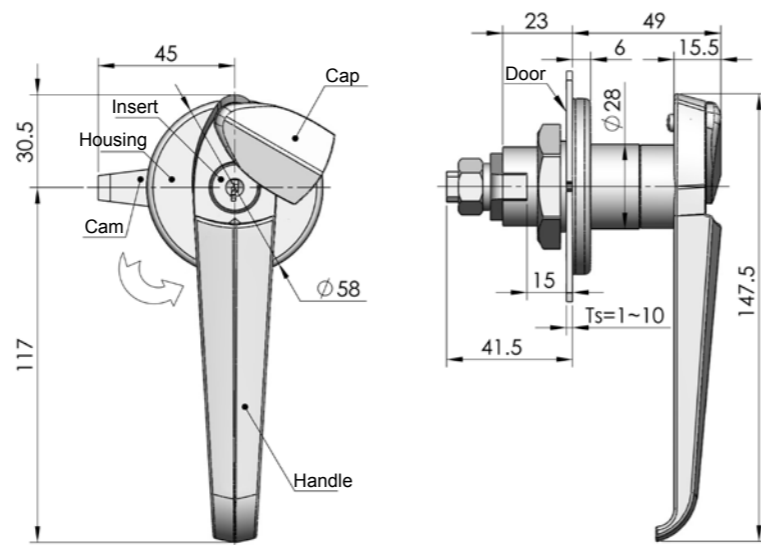
**Default cam :** S1C45Y00003(Steel)  
S1C45Y00004(Stainless steel)



MS807-1

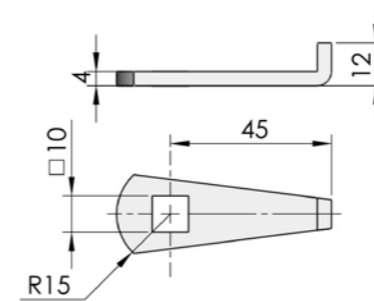


MS807-2

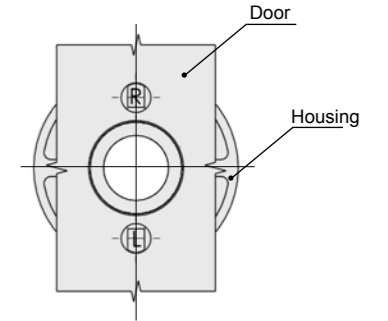
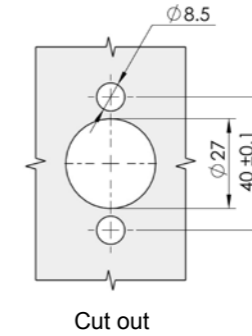


MS807-3

Default cam



Remarks : Default cam drawing cut out is square 10mm, other cam selection refer to cam list



Note : if it is used for 60 RH and LH, the door can be opened both right and left through housing 180 rotation assembling position, it is the dorsal view after lock is assembled on the door

Specification	MS807-1 Series		
	Bright chrome-plated ZDC housing, handle, cap	S.S housing, handle, cap	
A=23 B=83 H=45~58	60°For RH an LH	MS807Z3A050001	MS807S4A050010
	90°RH	MS807Z3A050004	
	90°LH	MS807Z3A050007	
A=40 B=103 H=52~75	60°For RH an LH	MS807Z3A050002	MS807S4A050011
	90°RH	MS807Z3A050005	
	90°LH	MS807Z3A050008	
A=63 B=103 H=75~80	60°For RH an LH	MS807Z3A050003	MS807S4A050012
	90°RH	MS807Z3A050006	
	90°LH	MS807Z3A050009	
Specification	MS807-2 Series		
	Bright chrome-plated ZDC housing, handle, cap	S.S housing, handle, cap	
A=23 B=83 H=45~58	60°For RH an LH		
	90°RH	MS807Z3A050011	MS807S4A050018
	90°LH	MS807Z3A050010	MS807S4A050017
Specification	MS807-3 Series		
	Bright chrome-plated ZDC housing, handle, cap	S.S housing, handle, cap	
60°For RH an LH		MS807Z3A050017	MS807S4A050023
	90°RH	MS807Z3A050018	MS807S4A050024
	90°LH	MS807Z3A050019	MS807S4A050025

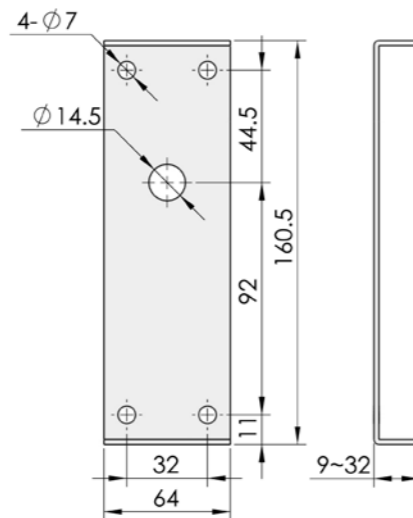
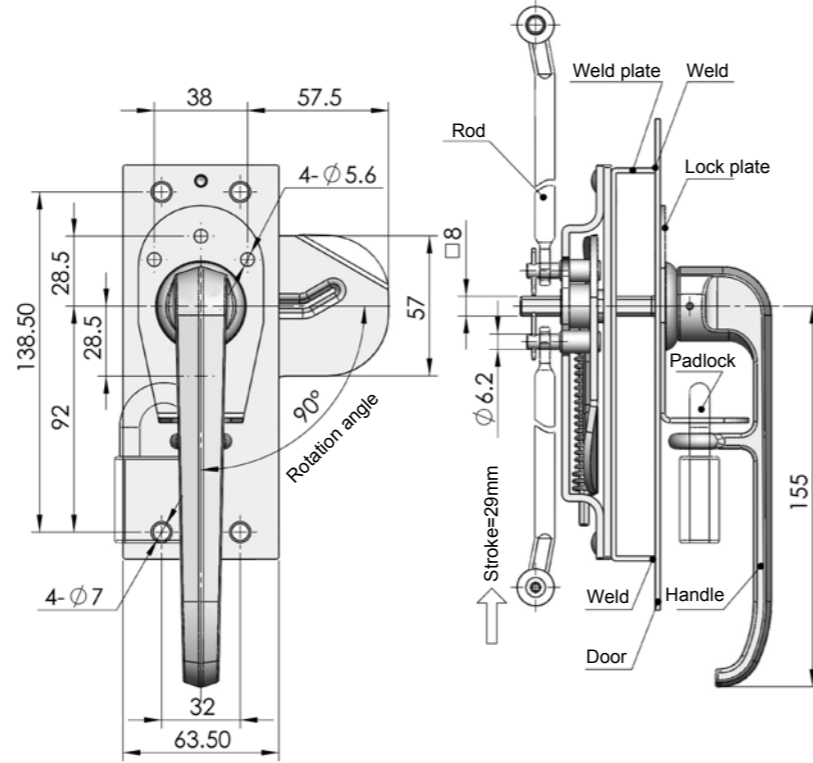
Remarks : ERP excludes cam

**MS841**

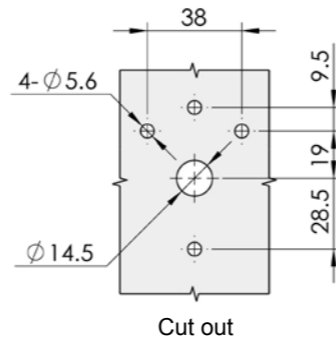


**RL**

**Main material and finish :** White zinc-plated drive box rod drive mechanism, stainless steel handle and lock panel  
**Application :** Quarter-turn opening or closing padlockable

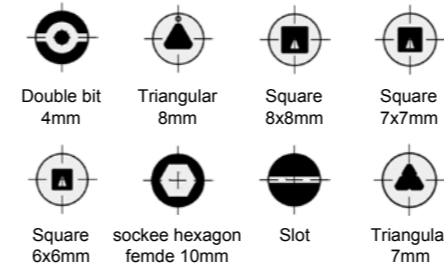
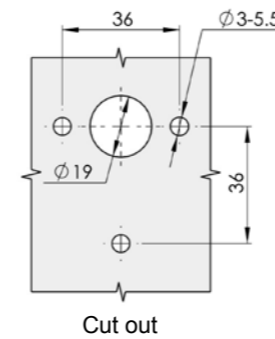
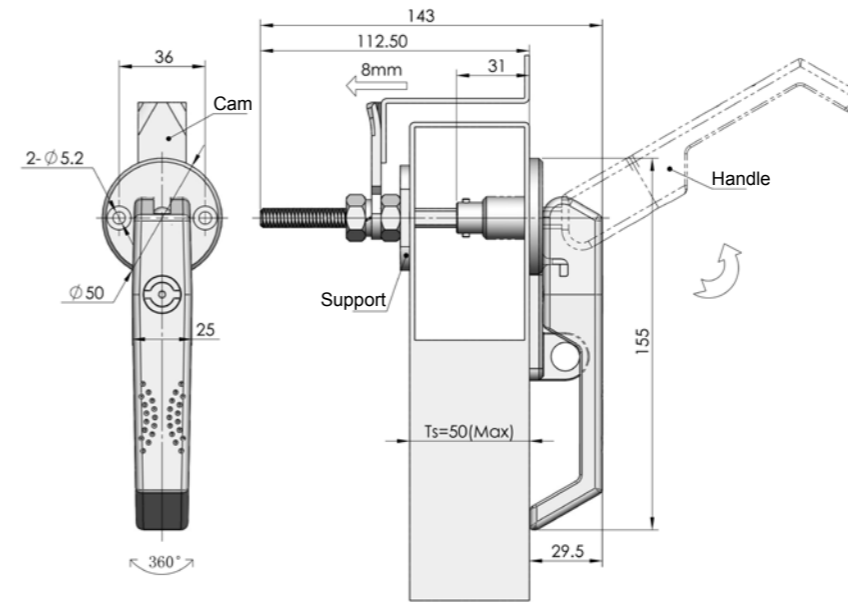


Weld panel ( prepared by user )

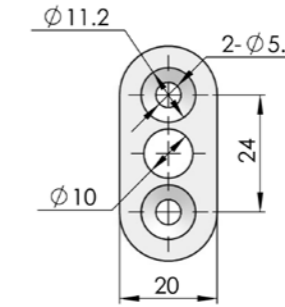


ERP

MS841S0000001



**Support ( Accessory )**



Specification	ERP
Double bit	MS859Z1BT01001
Triangular 8mm	MS859Z1BT04001
Square 8x8mm	MS859Z1BT07001
Square 7x7mm	MS859Z1BT06001
Square 6x6mm	MS859Z1BT05001
Hexagon Female	MS859Z1BT09001
Slot	MS859Z1BT10001
Triangular 7mm	MS859Z1BT14001

Remarks : ERP excludes cam ( cut out square 8mm)

**MS859**



**Main material and finish :** PA handle, pocked black powder coated ZDC housing, bright chrome-plated ZDC insert, white zinc-plated steel shaft

**Application :** Quarter-turn opening or closing

**Remark :** Optional key K15 series

**Default cam :** S1B45Y00005(Ts=4)



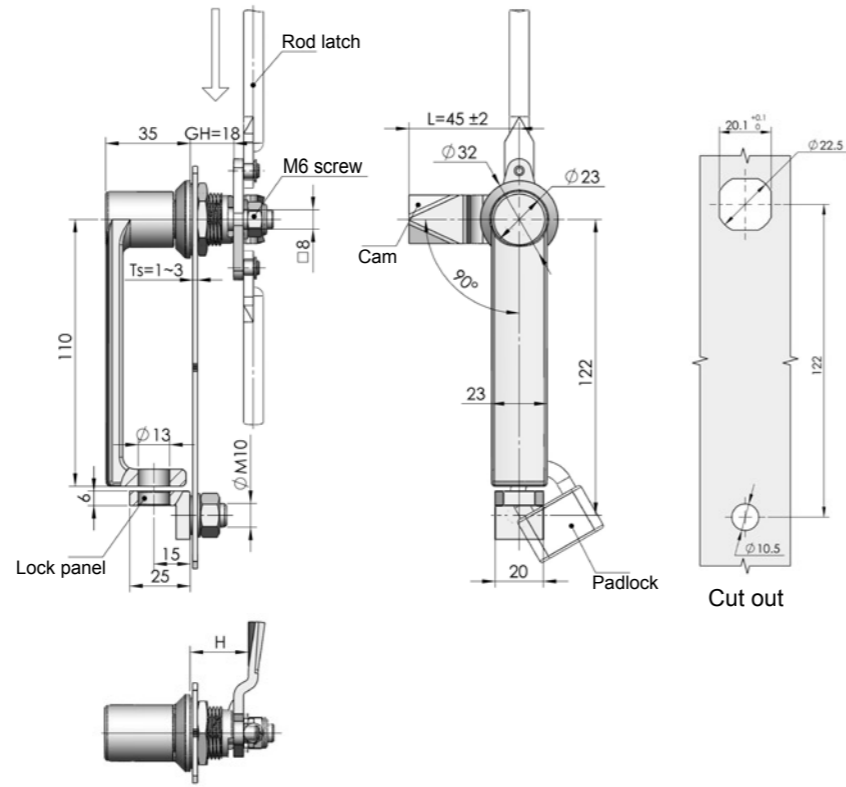
Accessories  
Handle lock  
Cylinder lock  
Electronic lock  
Swing handle  
Rod control lock  
Panel lock  
Toggle and hook  
Handles  
Door stop  
Hinge  
Seal gasket

**MS868**



**Main material and finish** : Black powder coated ZDC handle ,housing and lock panel ,white zinc-plated steel cam  
**Application** : Quarter-turn opening or closing, padlockable

**Default cam** : S3B45Y06001

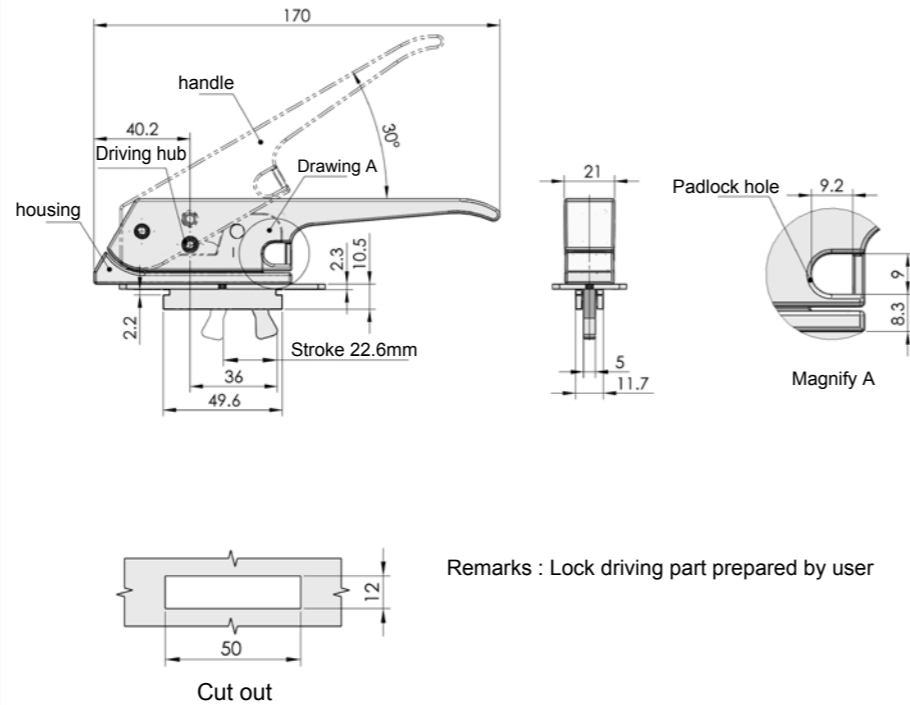


**ERP** MS868Z1A000001  
Remarks : ERP excludes cam

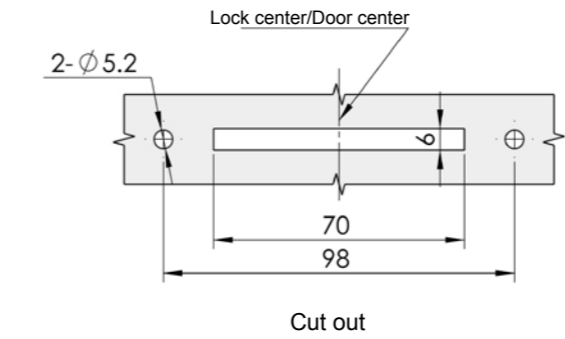
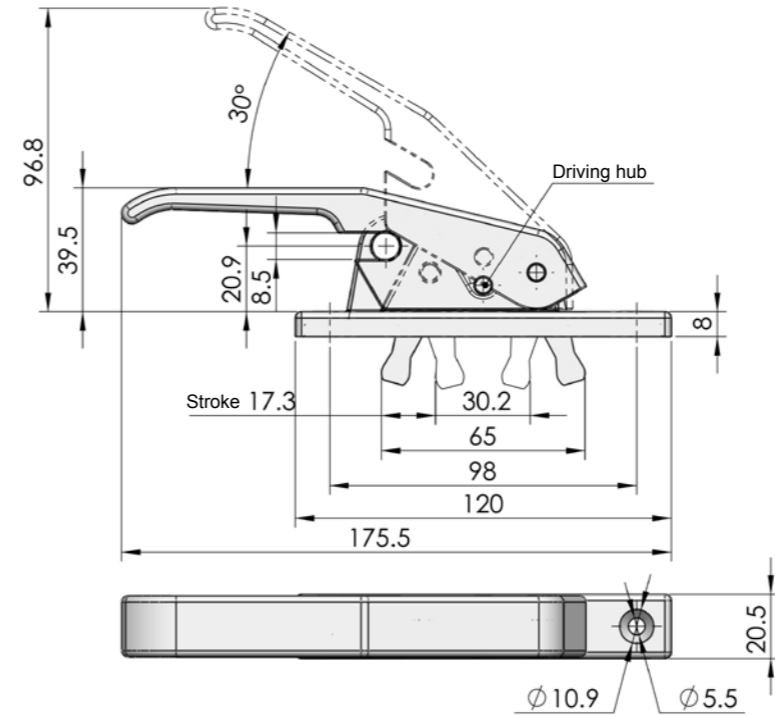
**MS887-1**



**Main material and finish** : Black powder coated ZDC housing, handle, white zinc-plated steel cam  
**Application** : Handle combines with latch



**ERP** MS887Z1A000001  
Remarks : Lock driving part prepared by user



Remarks : Lock driving part prepared by user

**ERP** MS887A1D000001

**MS887-2**



**Main material and finish** : Blue gray (RAL7035) powder coated aluminum housing, handle, white zinc-plated steel cam  
**Application** : Handle combines with latch

Accessories  
Handle lock  
Cylinder lock  
Electronic lock  
Swing handle  
Rod control lock  
Panel lock  
Toggle and hook  
Handles  
Door stop  
Hinge  
Seal gasket